

Ball Bearing Slides | Drawer Systems & Premium Euro Slides | Hinges | Locks  
 Kitchen Solutions | Closet Solutions | Office Line | Functional Hardware  
 Specialty Slides | Decorative Hardware | Flat Panel Solutions



*The remote control lift designed for multiple applications:*

Rack and Pinion design with unique patent pending stability system

Perfect for raising and lowering TV's up to 26", computer monitors etc.

110 Lb. (50kg) weight capacity

18" (457mm) stroke

Simple and fast mounting

Plug and play assembly

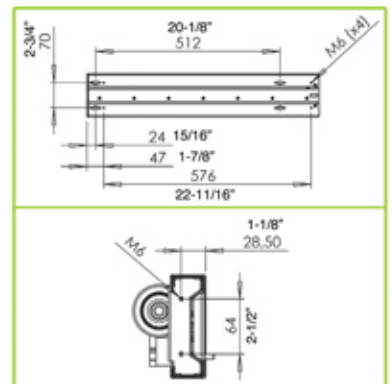
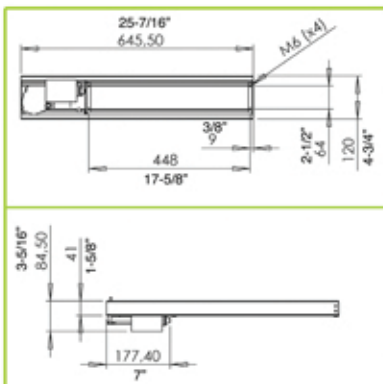
*VersaLift is delivered complete inside one carton:*

PART WT4055.645.495

PART WT4056.645.495 with brackets

Manual override switch

cUL listed power supply



**Corporate Office:**  
 2901 West Garry Ave. - Santa Ana, CA 92704 U.S.A.  
 (800) 821-4007 Fax: (714) 751-2366

**East Coast Division:**  
 525 Byron St., Suite D - Chesapeake, VA 23320 U.S.A.  
 (877) 293-0584 Fax: (757) 549-9794

  
**U.S. Futaba, Inc.**  
 www.usfutaba.com | sales@usfutaba.com