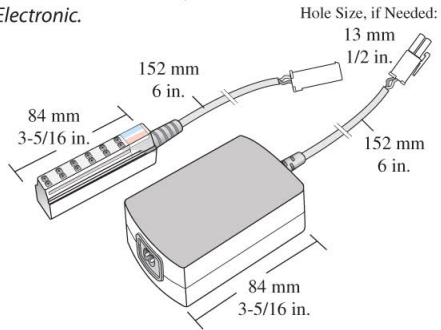


DC Power Supply - 18W

Electronic.



Description

DC Power Supply 12VDC 18W

Finish Color

Black

Part No.

DC-ELT18-CON

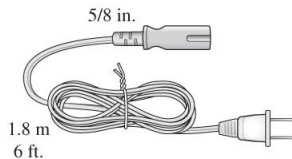
Dimmable

Trailing edge
(12V side)

Mounting Block and Power Cord are included with each Power Supply.

Hole Size, if Needed:

16 mm
5/8 in.



27 mm
1-1/16 in.

