

FEATURES

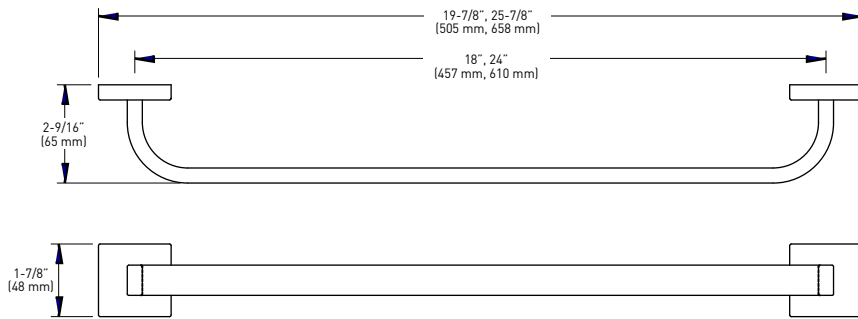
- › APPLICATION: SINGLE-FAMILY RESIDENTIAL BUILDINGS, MULTI-FAMILY RESIDENTIAL BUILDINGS
- › INCLUDES SOLID ZINC DIE CAST MOUNTING PLATES: 1-5/8" x 1-5/8" [40 mm x 40 mm]; NYLON ANCHORS AND STEEL PHILLIPS HEAD SCREWS: #8 x 1-1/4" [32 mm]
- › SOLID ZINC DIE-CAST CONSTRUCTION (POSTS)



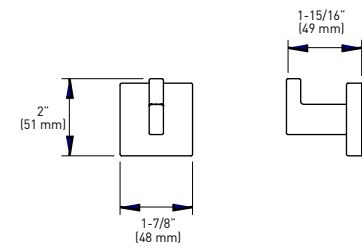
LIMITED LIFETIME WARRANTY



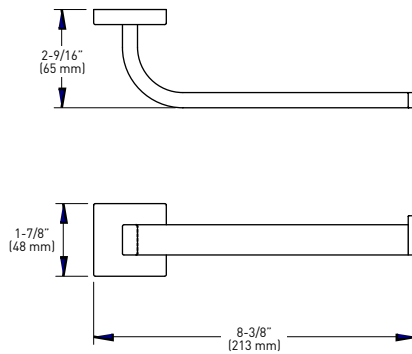
TOWEL BAR



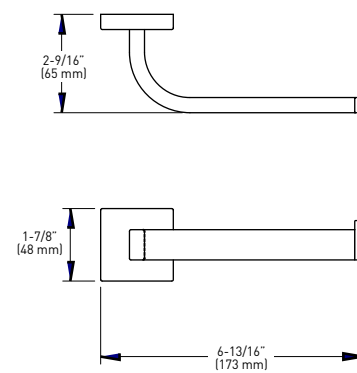
SINGLE ROBE HOOK



HAND TOWEL BAR



PAPER HOLDER



MEASUREMENTS SUBJECT TO A 3% VARIANCE.



BUILDER PACK	MATTE BLACK 19	POLISHED CHROME 26	MATERIAL	CASE PACK
18" TOWEL BAR	04-32518BLK	04-32518	ZINC/STAINLESS STEEL	10
24" TOWEL BAR	04-32524BLK	04-32524	ZINC/STAINLESS STEEL	10
SINGLE ROBE HOOK	04-32501BLK	04-32501	ZINC/STAINLESS STEEL	10
HAND TOWEL BAR	04-32510BLK	04-32510	ZINC/STAINLESS STEEL	10
PAPER HOLDER	04-32548BLK	04-32548	ZINC/STAINLESS STEEL	10