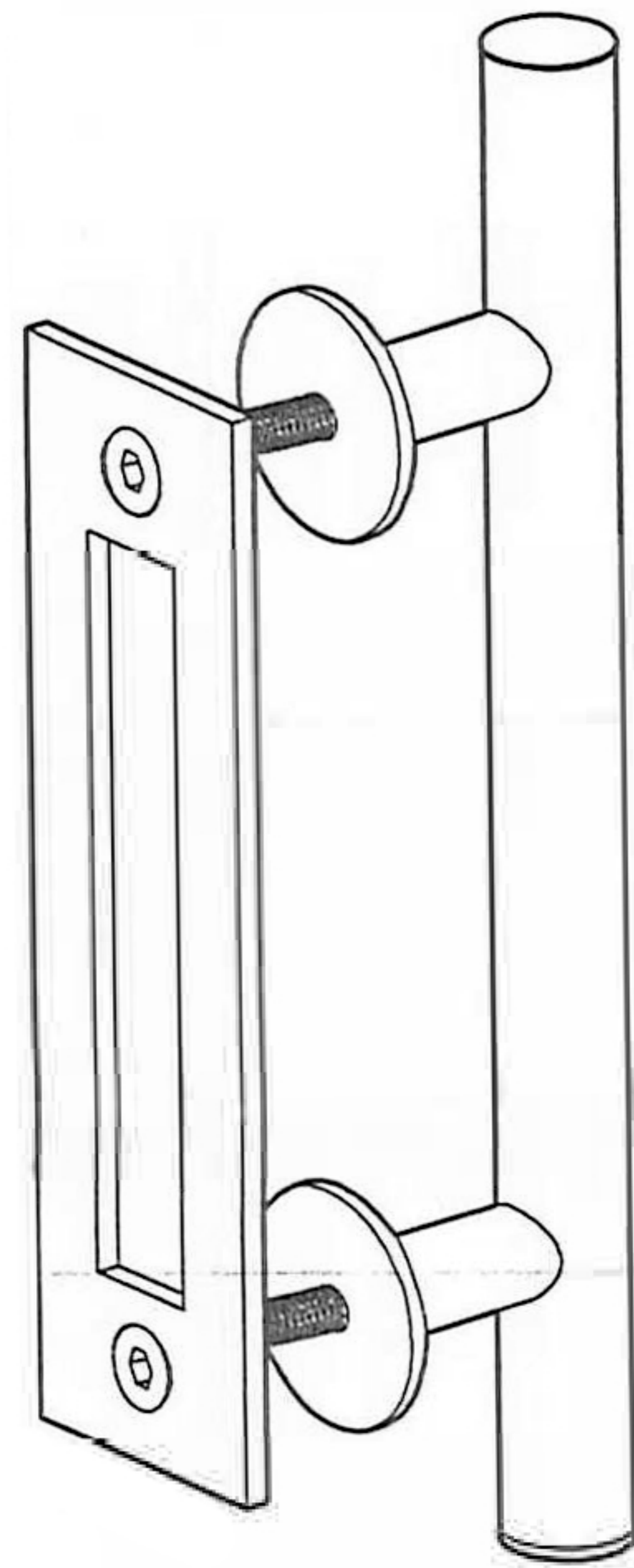
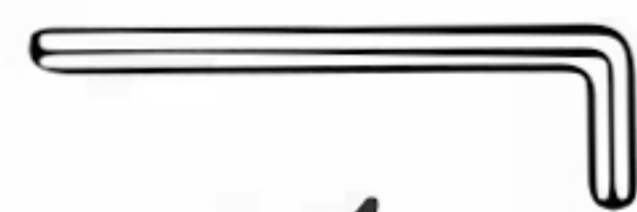


Installation

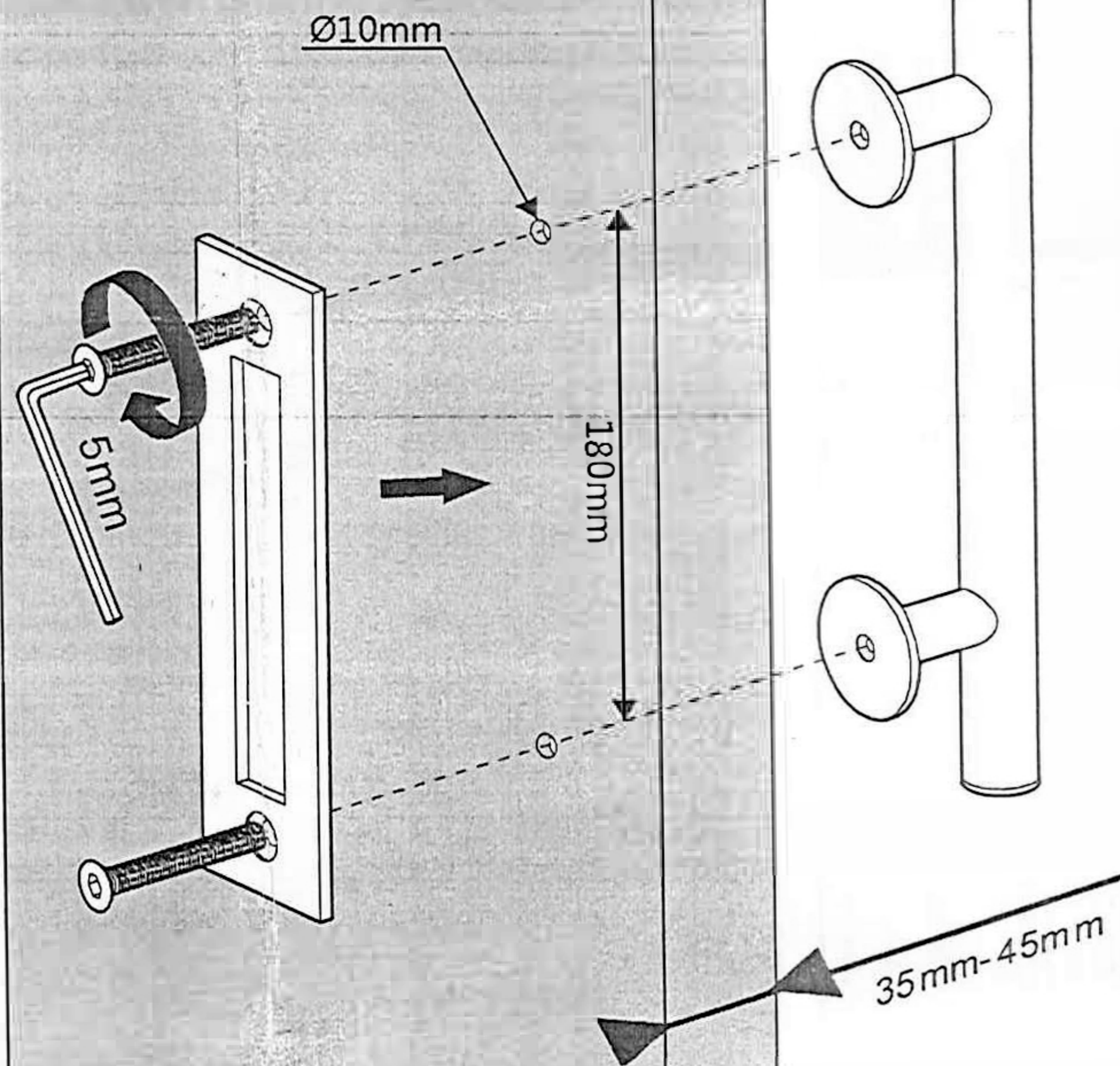


x1



x1
5mm

1



2

