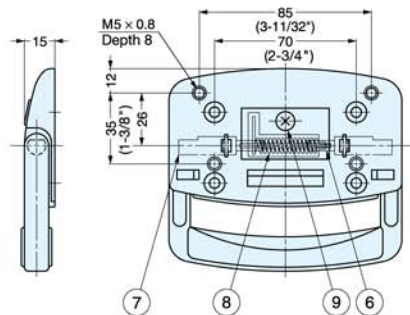
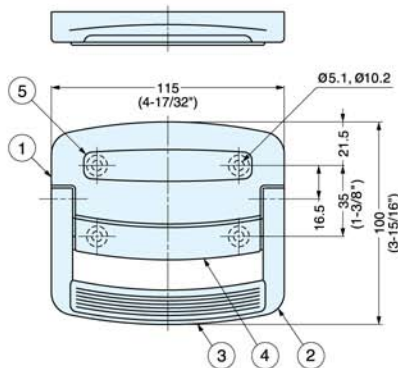


# TRUNK HANDLE

**TEST 1**  
P.658



# TMU-115



- Spring loaded trunk handle.
- Designed for both surface and back mount.
- Durable construction.
- Rubber pad on handle for good grip.

No.	Part Name	Material	Finish
①	Body	Zinc Alloy	Chrome
②	Handle		
③	Grip	Synthetic Rubber	Black
④	Case Cover 1		
⑤	Case Cover 2		
⑥	Back Case	Steel	Yellow Zinc Chromate
⑦	Shaft	Steel	
⑧	Spring	Steel	
⑨	Screw	Steel	

Item No.	Load Capacity (kg)	Weight (g)	Box (pcs)	Carton (pcs)
TMU-115	40 (80 lbs)	460	10	40