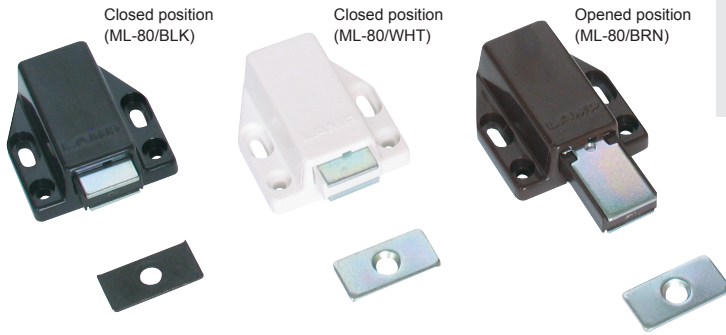


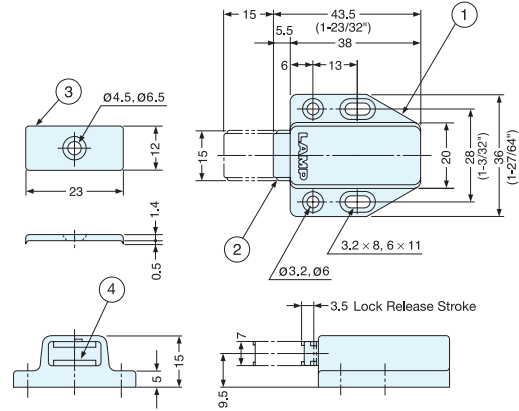
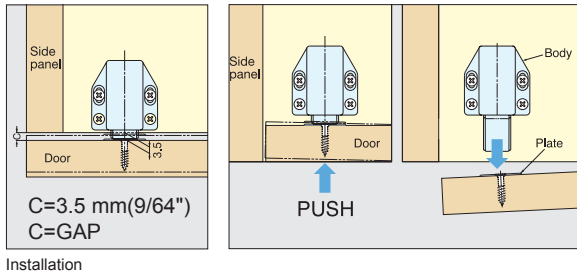
# MAGNETIC TOUCH LATCH



## ML-80



- Push to latch/unlatch.
- Eliminates need for handles or knobs.
- Note: For overlay and inset doors, allow a 3.5mm (9/64") gap between door and cabinet frame for pushing room.
- Only ML-80/WHT and ML-80/BRN are RoHS compliant.



| Item No.  | RoHS | Magnetic Force (kg) | Weight (g) | Box (pcs) | Carton (pcs) |
|-----------|------|---------------------|------------|-----------|--------------|
| ML-80/WHT | Yes  | 1.6 (3.5 lbs)       | 22         | 20        | 400          |
| ML-80/BRN |      |                     |            |           |              |
| ML-80/BLK | No   |                     |            |           |              |

| No. | Part Name    | Material | Finish/Color                          |
|-----|--------------|----------|---------------------------------------|
| ①   | Body         | ABS      | White (WHT), Brown (BRN), Black (BLK) |
| ②   | Latch        | Steel    | Yellow Zinc Chromate                  |
| ③   | Counterplate |          |                                       |
| ④   | Magnet       | Ferrite  | -                                     |

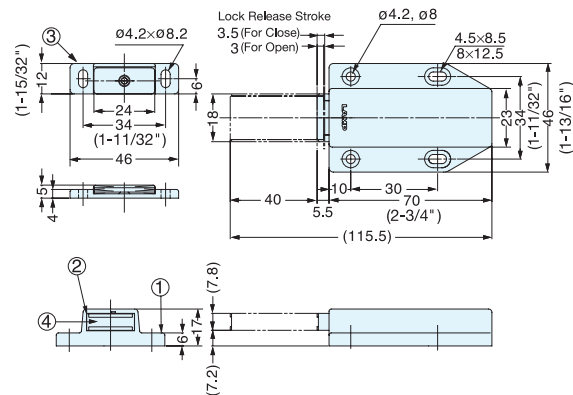
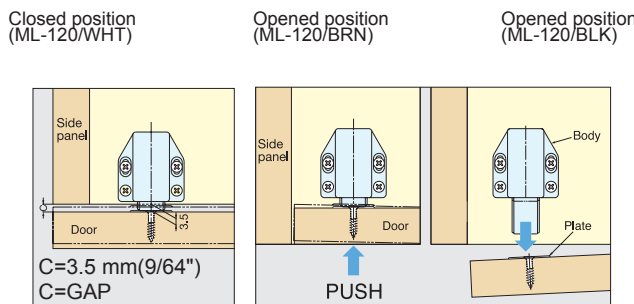
# MAGNETIC TOUCH LATCH (LONG STROKE)



## ML-120



- Long stroke for medium size doors.
- Push to latch/unlatch.
- Eliminates need for handles or knobs.
- Note: Allow a 3.5 mm (1/8") gap between door and cabinet frame for pushing room.
- CPSIA Compliant for furniture.



| Item No.   | Magnetic Force (kg) | Weight (g) | Box (pcs) | Carton (pcs) |
|------------|---------------------|------------|-----------|--------------|
| ML-120/WHT | 2.4 (5.3 lbs)       | 53         | 20        | 240          |
| ML-120/BRN |                     |            |           |              |
| ML-120/BLK |                     |            |           |              |

| No. | Part Name    | Material | Finish/Color                        |
|-----|--------------|----------|-------------------------------------|
| ①   | Body         | ABS      | White (WHT)/Brown (BRN)/Black (BLK) |
| ②   | Latch        | Steel    | Yellow Zinc Chromate                |
| ③   | Counterplate |          |                                     |
| ④   | Magnet       | Ferrite  | -                                   |