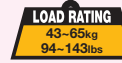


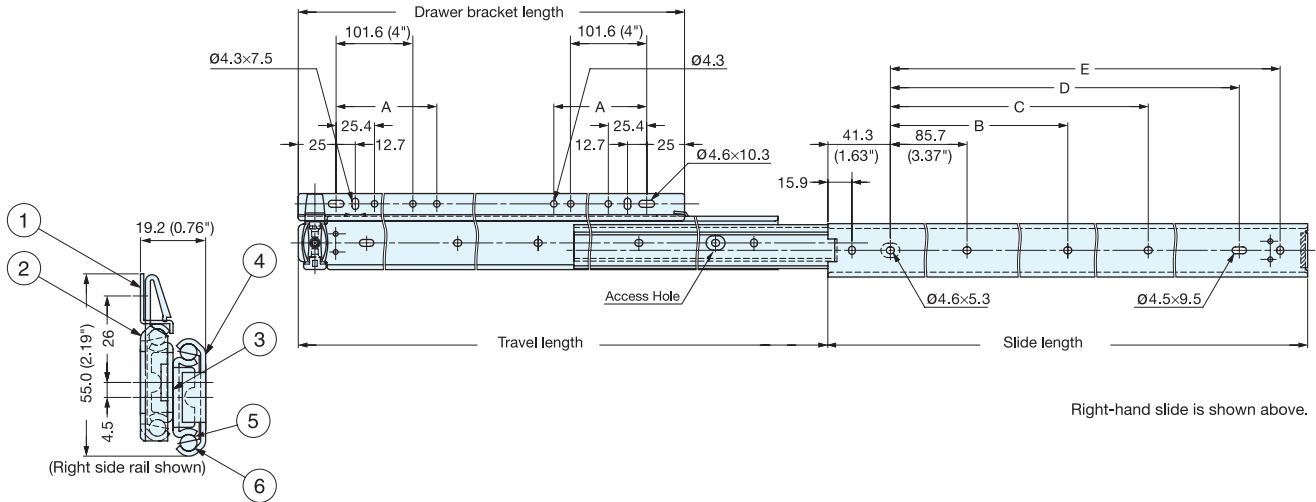
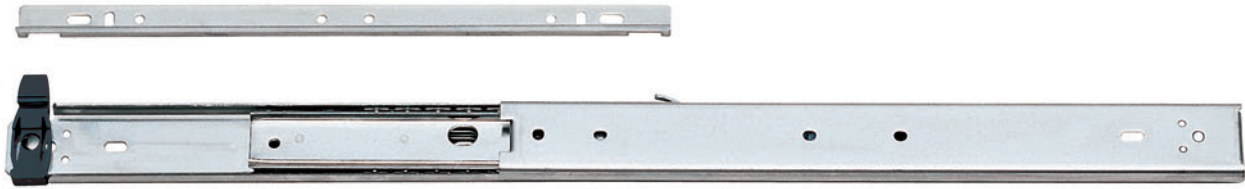
FULL EXTENSION SLIDE



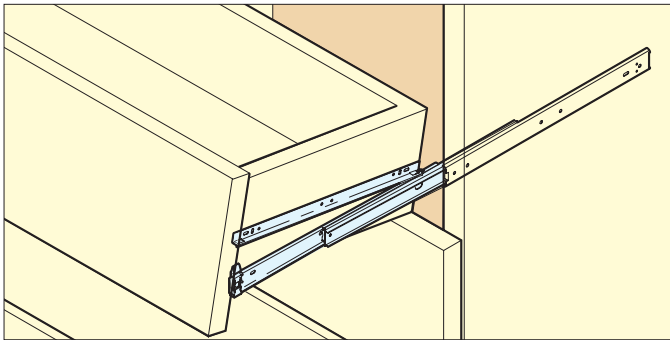
ESR-3

DRAWER SLIDES

STAINLESS STEEL SLIDES



Right-hand slide is shown above.



Installation

- Handed
- Full extension
- Quick disconnect
- Positive stop
- * Sold in pairs.
- * Mount with M4 or #8 Binding, Pan, or Truss head screws.

25.4mm=1"

No.	Part	Material
①	Drawer Bracket	304 Stainless Steel
②	Inner Rail	
③	Intermediate Member	
④	Outer Rail	
⑤	Retainer	
⑥	Balls	

Item No.	Slide Length	Travel Length	Drawer Bracket Length	A	B	C	D	E	#of Holes Outer Rail	Load Rating (kg/pair)	Weight (g)	Box (Pair)
ESR-3-12	304.8 (12")	348.4 (13-23/32")	273 (10-3/4")	-	-	123.1	218.3	245.3	6	65 (143 lbs)	680	10
ESR-3-14	355.6 (14")	399.2 (15-23/32")	273 (10-3/4")	-	-	173.9	269.1	296.1	6	61 (134 lbs)	780	
ESR-3-16	406.4 (16")	450 (17-23/32")	375 (14-49/64")	-	-	224.7	319.9	346.9	6	61 (134 lbs)	910	
ESR-3-18	457.2 (18")	500.8 (19-23/32")	375 (14-49/64")	-	187.3	275.5	370.7	397.7	7	56 (123 lbs)	1010	8
ESR-3-20	508 (20")	551.6 (21-23/32")	375 (14-49/64")	-	212.7	326.3	421.5	448.5	7	52 (114 lbs)	1110	
ESR-3-22	558.8 (22")	602.4 (23-23/32")	527 (20-3/4")	177.8	238.1	377.1	472.3	499.3	7	52 (114 lbs)	1260	6
ESR-3-24	609.6 (24")	653.2 (25-23/32")	527 (20-3/4")	177.8	263.5	427.9	523.1	550.1	7	48 (105 lbs)	1370	
ESR-3-26	660.4 (26")	704 (27-23/32")	575.3 (22-21/32")	177.8	288.9	478.7	573.9	600.9	7	43 (94 lbs)	1480	
ESR-3-28	711.2 (28")	754.8 (29-23/32")	575.3 (22-21/32")	177.8	314.3	529.5	624.7	651.7	7	43 (94 lbs)	1580	