



FOLDING BRACKETS

EB Series





FOLDING BRACKET with damper

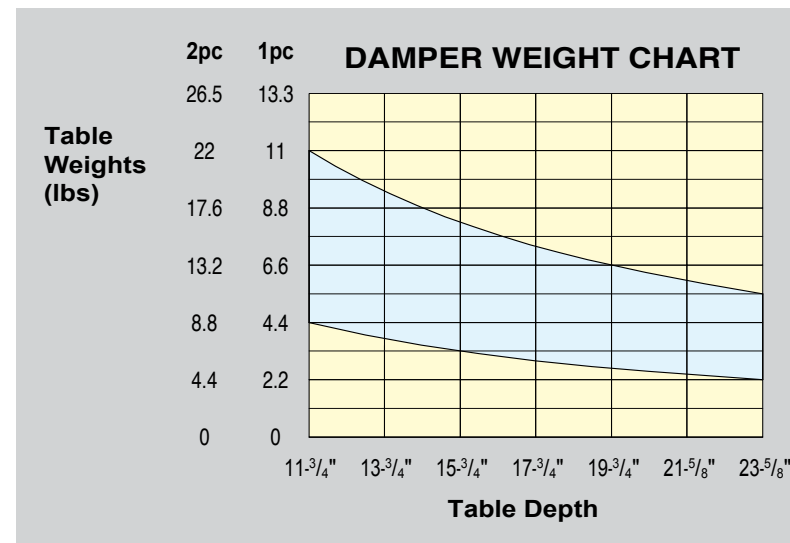
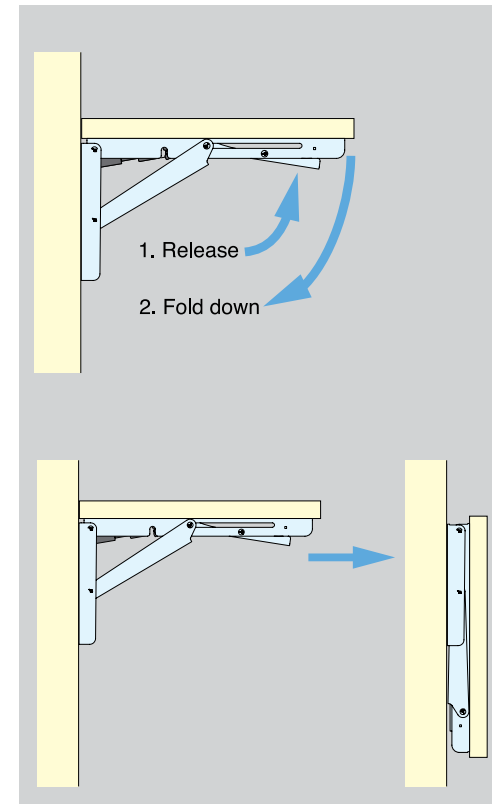
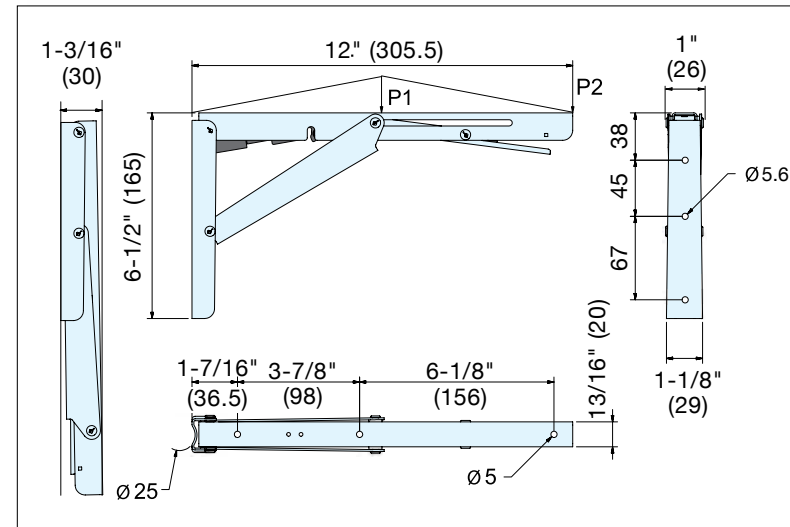
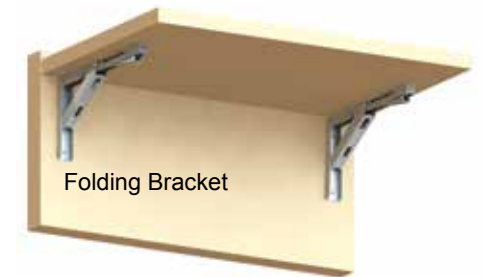


EB-303/EP-D



- Automatically locks when flap is in open position.
- Press lever to release the lock.
- Hinges not required.
- Damper unit with a soft-closing feature which makes it smoother and safer.
- Durability tested 50,000 cycles (private).
- Refer to the DAMPER WEIGHT CHART for damper weight capacity.

Application Example



Part Name	Material
Main Body	304
Plate Spring	Stainless Steel
Rivet	Stainless Steel



Introduction Video

Item No.	Bracket Load Capacity P1 (kg)	Bracket Load Capacity P2 (kg)	Weight (g)	Carton (pcs)
EB-303/EP-D	150 (330 lbs)	75 (165 lbs)	515	20

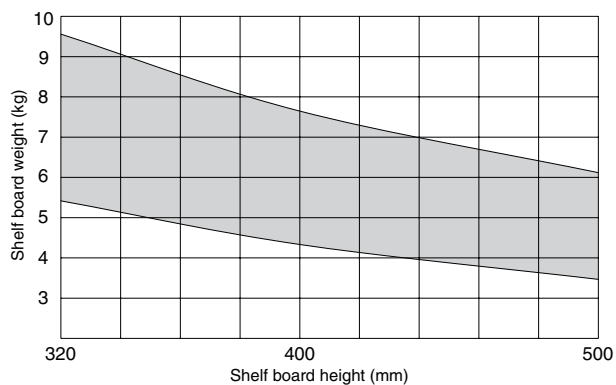
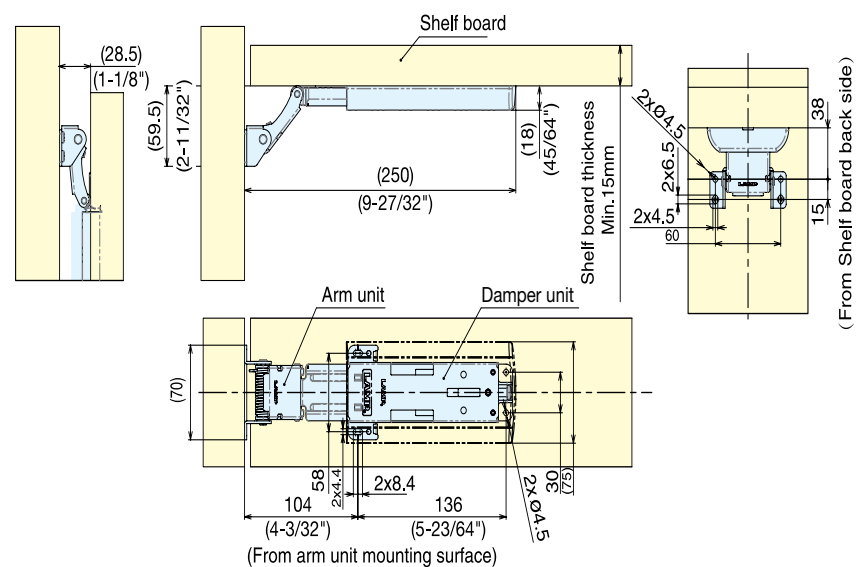
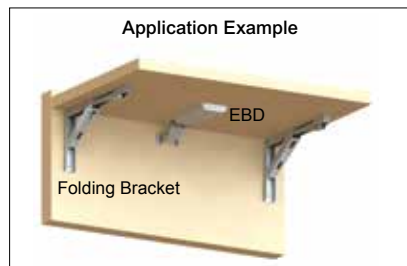
DAMPER FOR EB FOLDING BRACKET



EBD



- Designed to be used with folding brackets. (EB Series-sold separately)
- Lapcon technology provides soft-close movement downward.
- Easy surface-mount installation.
- Ideal for counter flaps at bars, restaurants and receptions.



Material	Finish/Color
ABS/POM/Steel	Gray/Zinc/Chrome

Item No.	Torque (kg-cm)	Thickness (mm) Min. Panel	Weight (g)	Box (pcs)	Carton (pcs)
EBD	86.7~153.0 (75.3~132.8 lbs-in)	15	400	1	20

FOLDING BRACKET



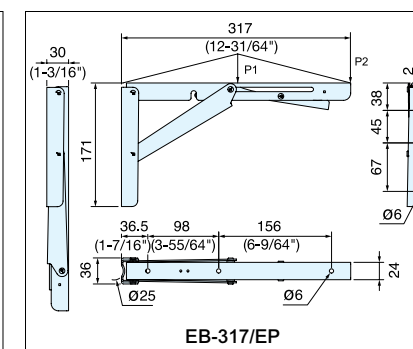
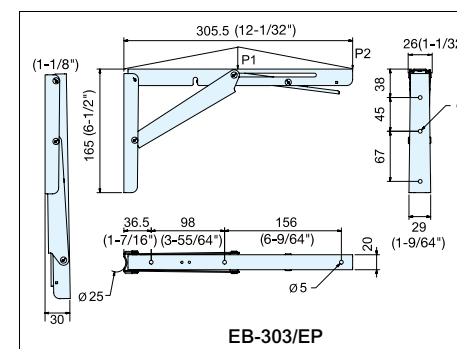
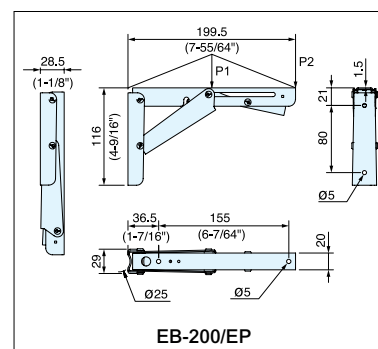
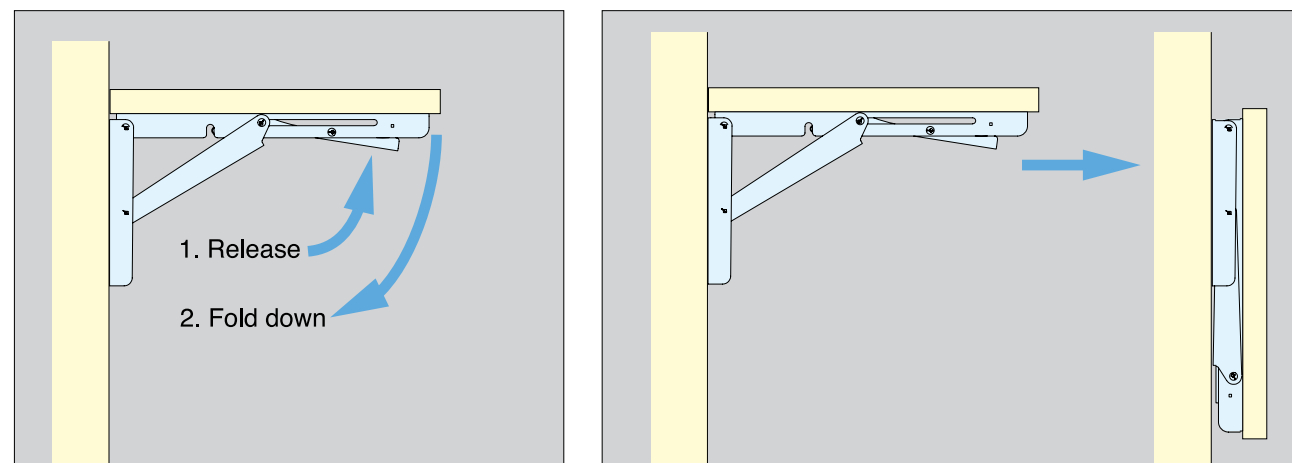
EB



- Automatically locks when flap is in opened position.
- Press lever to release the lock.
- Bracket can be used without the need for hinges.
- Available in 3 different sizes.
- Damper unit EBD available for use with all EB series brackets (sold separately).



Part Name	Material
Main Body	304 Stainless Steel
Plate Spring	
Rivet	



Item No.	Load Capacity P1 (kg)	Load Capacity P2 (kg)	Weight (g)	Carton (pcs)
EB-200/EP	175 (385 lbs)	90 (198 lbs)	330	20
EB-303/EP	150 (330 lbs)	75 (165 lbs)	515	20
EB-317/EP	200 (440 lbs)	100 (220 lbs)	750	20

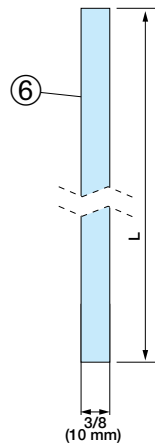
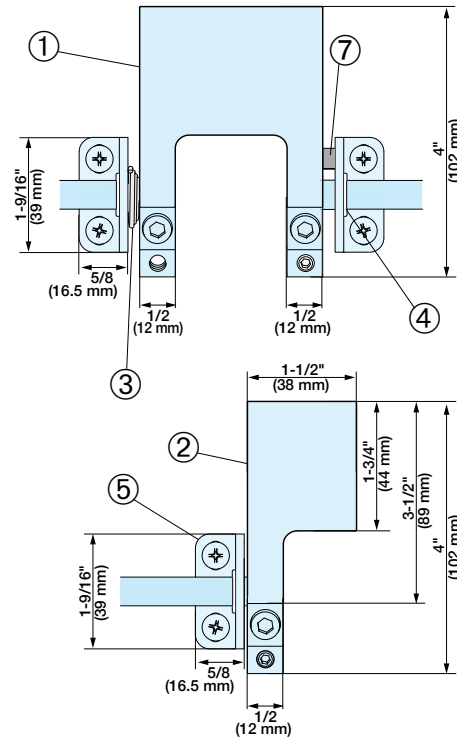
LEVER RELEASE for EB Folding Bracket



- Easy operation with a slide and push mechanism for locking and lever release.
- Lever can be used with either EB-303/EP, EB-303/EP-D, EB-200/EP or EB-317/EP.
- Use to unlock multiple brackets with one-hand operation while maintaining bracket locking feature.
- Connecting bar can be cut to sizes.
- Available for two or three brackets configuration.
- Corrosive resistant aluminum material allows for outdoor use.
- Simple installation, easier support for wide shelves.
- Ideal solution to save space in confined areas.



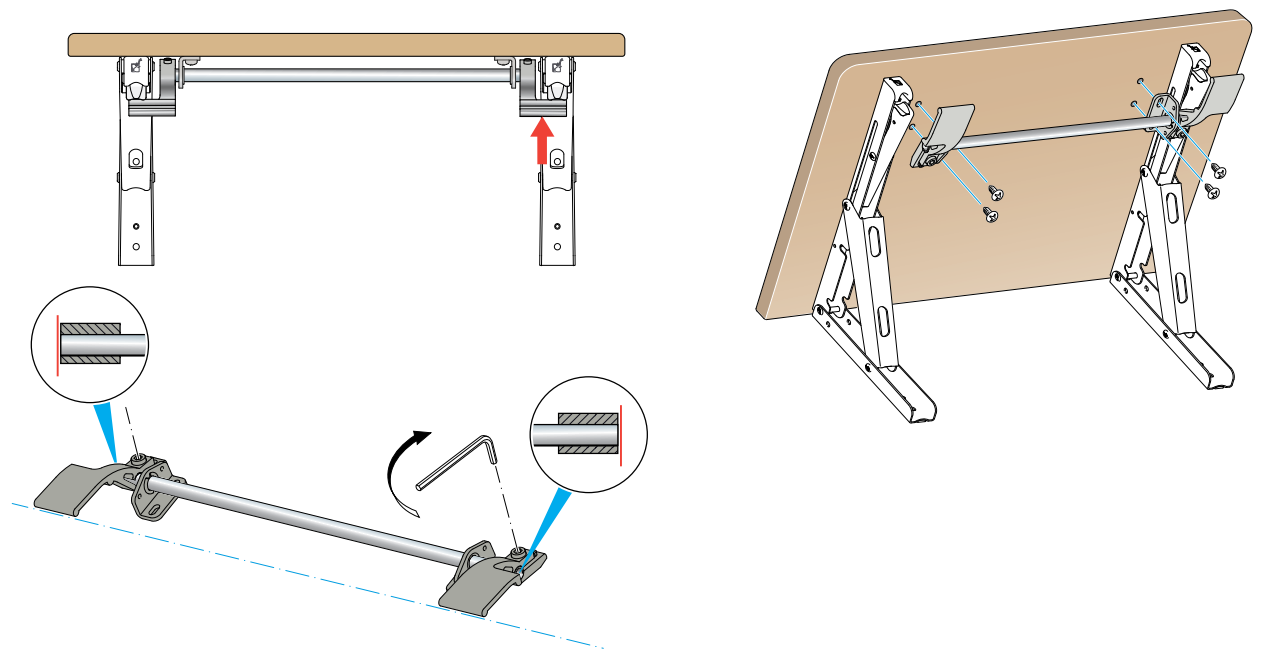
No.	Part Name	Material	Finish
1	Connecting Lever	Aluminum	Anodized Aluminum
2	Side Lever		
3	Spring	Stainless Steel	Plain
4	Washer	Plastic	-
5	Holding Bracket	Aluminum	Anodized Aluminum
6	Connecting Rod		
7	Safety Lock Screw	Stainless Steel	Plain



LEVER RELEASE for EB Folding Bracket



EB-1000-2/1500-2

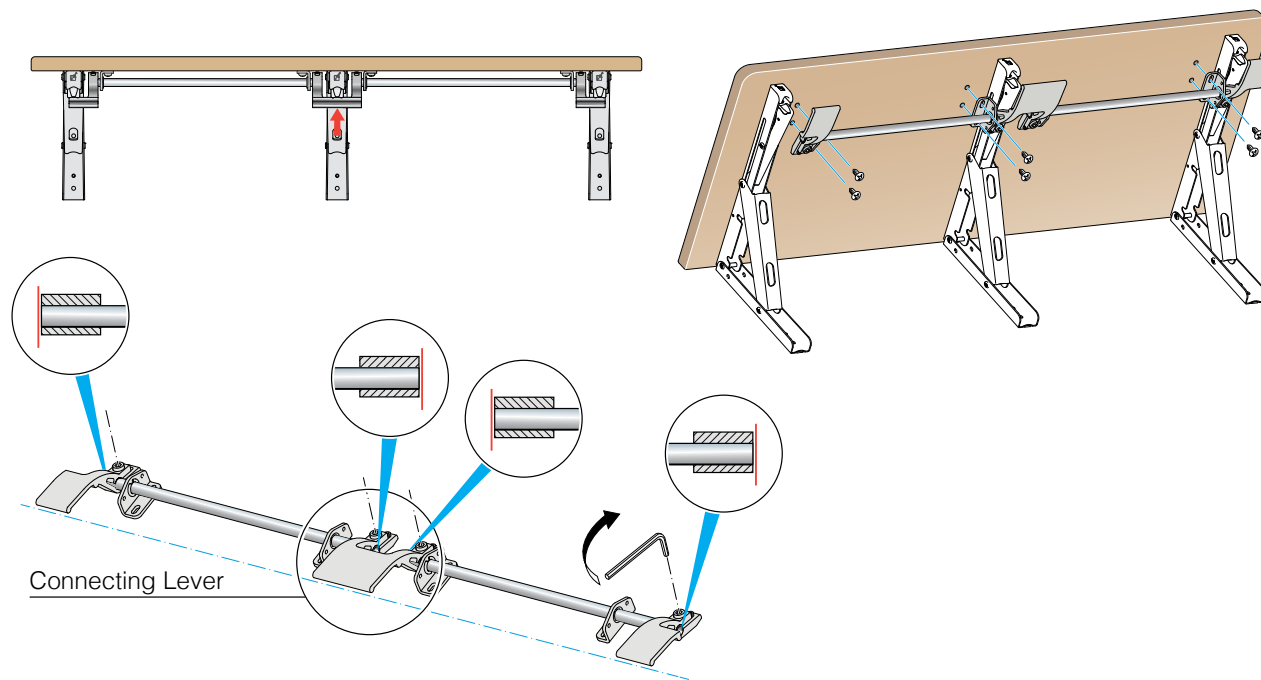


Item No.	Rod Qty	Rod Length (L)	Side Lever Qty	Safety Lock Qty	Holding Bracket Qty	Spring Qty
EB-1000-2	1	39-3/8" (1000 mm)	2	1	3	1
EB-1500-2	1	59-1/16" (1500 mm)	2	1	3	1

LEVER RELEASE for EB Folding Bracket



EB-2000-3



Item No.	Rod Qty	Rod Length (L)	Side Lever Qty	Connecting Lever Qty	Safety Lock Qty	Holding Bracket Qty	Spring Qty
EB-2000-3	2	39-3/8" (1000 mm) each	2	1	1	6	1

A man with glasses and a beard is shown in profile, working on a mechanical device in a dark room. The background is filled with various papers and documents, suggesting a workshop or office environment. The lighting is low, highlighting the man's face and the device he is working on.

sugatsune.com



Chicago Showroom
121 West Wacker Drive,
Chicago, IL 60601



LIT-EB-Series-2021