

Striplox™ Megalox

Strong connection every time

Striplox Megalox changes the way we assemble projects. This fully concealed, lockable solution is ideal for installations in kitchens, retail stores, office partitioning, exhibition displays, toilets, bathrooms, locker rooms, furniture manufacturing postform, benchtops/countertops and RTA application.

Striplox Megalox can be applied for mitre joints, 'T' joints or box joints.

Connect the two surfaces by inserting and sliding together into the locked position, requiring no use of clamps (remove locking tab if required to disassemble).

Megalox makes every unique joining application or mass production application strong in solid timber, MDF, composite panels plus more.

Aesthetically, Striplox replaces visible screws, brackets, fittings, connectors, latches, cam and dowels, mounting blocks and other mechanical components providing leading edge design solutions.

Benefits

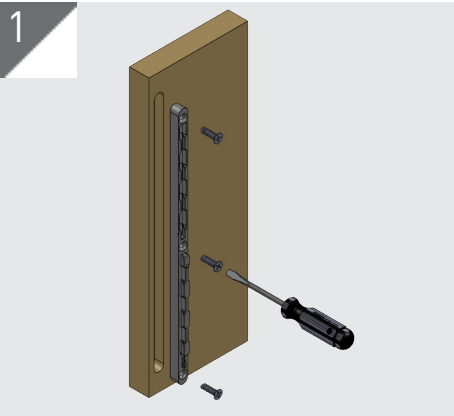
- No visible fixings – completely concealed joint
- Eliminates damage – install during final build
- Lower transportation cost – flat pack
- Lower labour costs with fast on site assembly
- Strength, Durability and Versatility
- Speed of installations
- Projects can be fitted permanently or removed with ease
- Striplox Megalox can be configured in many different ways to best suit your application, surface mount or rebate mount and orientated for vertical or horizontal assembly
- Ideal in Mitre joints subject to substrate thickness
- Variety of mounting options glue and/or screw fix
- Production Design Savings

Applications

- Benchtops (post form/solid surface)
- Commercial office partitioning
- Enhanced performance of acoustic paneling
- Toilet and boardroom partitioning
- Furniture construction and interior fitting
- Shop fitting displays and signage
- Exhibition and trade events
- DIY garden shed and Patio
- RV and Marine fitouts

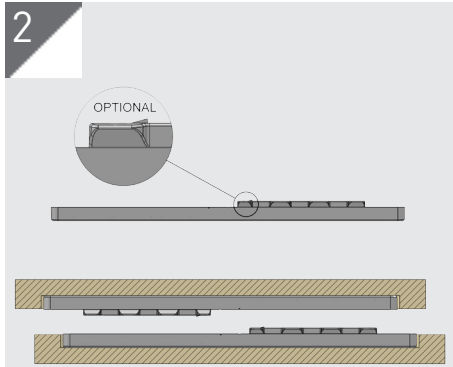


How it works



Installation

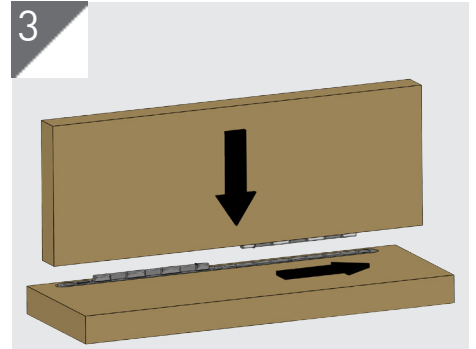
Attach both components of the Megalox, either surface or recessed mounted, in opposite directions, using 3 screws.



Assembly

Both components of the Megalox face opposite each other, self align and slide to lock into place.

Remove locking tab if required, if recessed ensure fitment is flush.



Completion

Complete the installation by sliding fully to lock up position.

Specifications

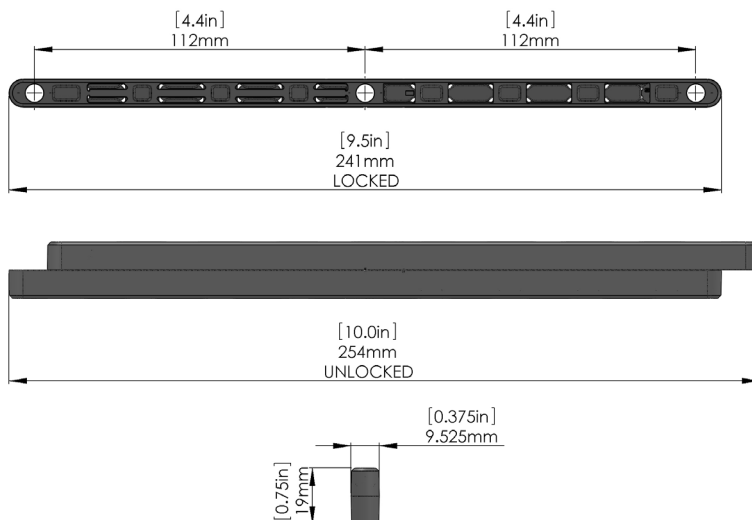
Material: High Strength Reinforced Nylon Colour: Black Fixing: 8G or Euro screws x 6 or glue <ul style="list-style-type: none"> Ensure sufficient screw embedment into substrate. Testing using MDF and fixed with screws. C* direction is lock up. 	Direction	Indic. Load Capacity
	A	kg/lbs
	B	kg/lbs
	*C	kg/lbs

- Refer to Mounting Data Sheet for full dimensions
- Refer to Installation Guide

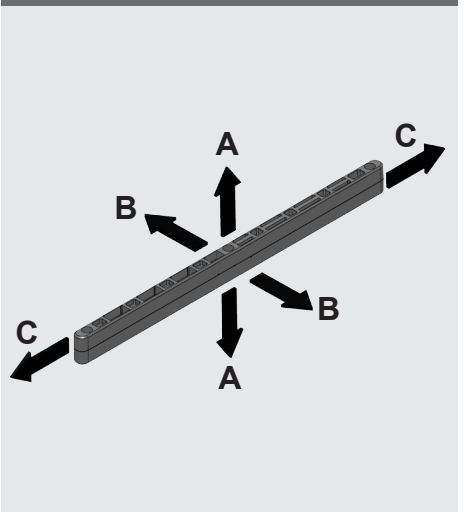
Visit the Striplox website for more information



Dimensions



Load Direction



Proudly Australian Designed, Owned and Manufactured

Striplox products are designed and tested for a range of applications. Product use is subject to variable materials and conditions. Technical information and load capacities are a guide only without warranty and Joinlox will not be liable for any subsequent damage or loss from the use of the products or this information.

joinlox.com/striplox