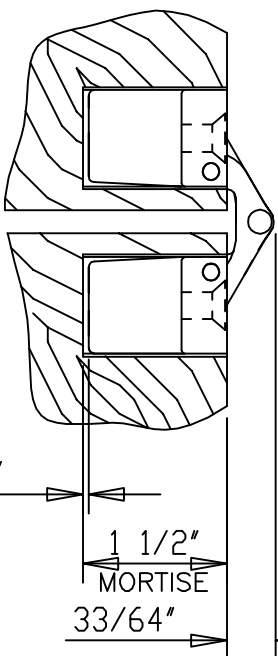
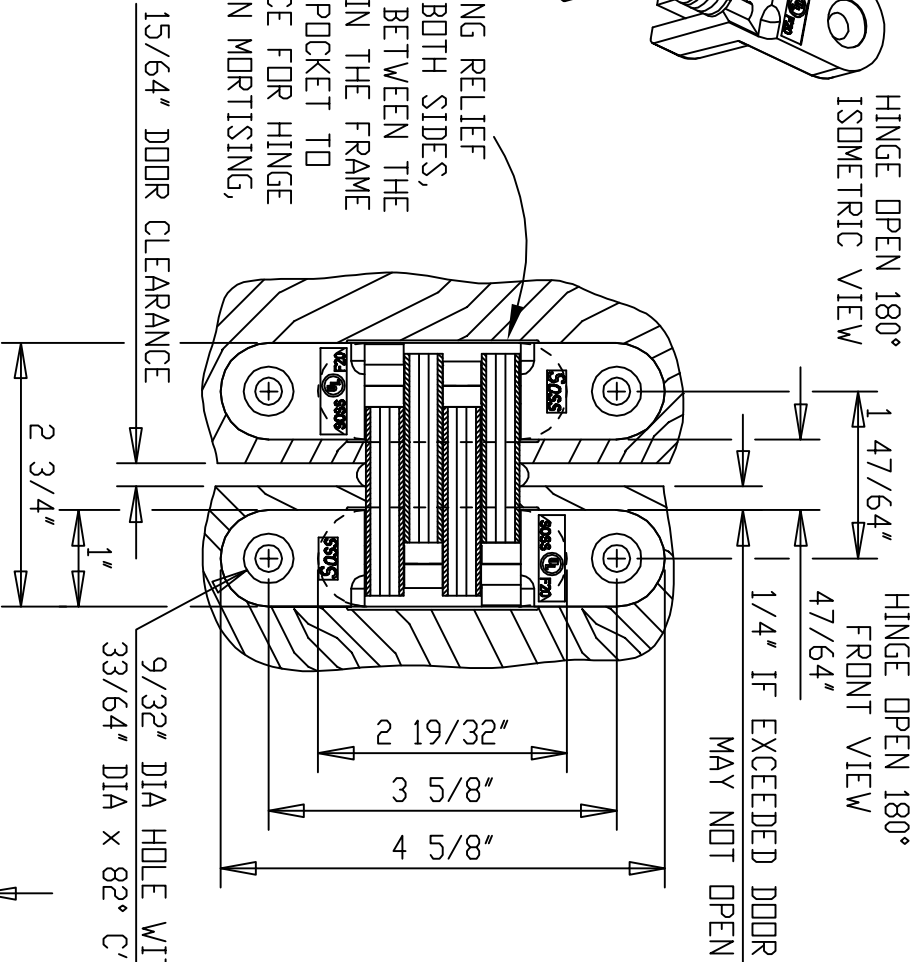


HINGE OPEN 180°  
ISOMETRIC VIEW

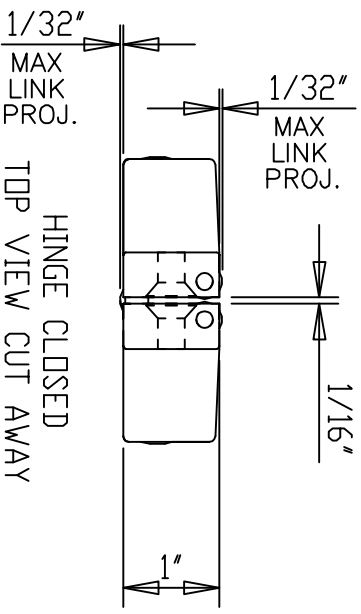
HINGE OPEN 180°  
FRONT VIEW

HINGE CLOSED  
FRONT VIEW CUT AWAY

1/32 WIDE X 2 LONG RELIEF PKT FULL DEPTH, BOTH SIDES, SIDES, (CENTERED BETWEEN THE MOUNTING HOLES) IN THE FRAME AND IN THE DOOR POCKET TO PROVIDE CLEARANCE FOR HINGE LINK PLATES, WHEN MORTISING, AS DRAWN.



HINGE OPEN 180°  
TOP VIEW CUT AWAY



HINGE CLOSED  
TOP VIEW CUT AWAY

- SUPPLIED:  
WOOD SCREW  
#14 x 1-1/2"  
SPECIAL ORDER:  
MACH. SCREW  
1/4-20 x 1"

MIN. MATERIAL THICKNESS IS 1-3/8"  
DO NOT SCALE DRAWING  
ALL DIMENSIONS ARE IN INCH  
DOOR CLEARANCE REDUCES TO 1/64" WHILE CLOSING  
SEE DWG# 4477-C IF ADDING MATERIAL TO DOOR FACE AND/OR FRAME FACE

<p>©Copyright Universal Industrial Products, Inc. One Coreway Drive Floerer, Ohio 43554-0628</p>		SCALE: 1/2 = 1
		DRAWN BY: LHH
HINGE TEMPLATE		DATE: 10/15/18
#216 SSS INVISIBLE HINGE		DRAWING # 216