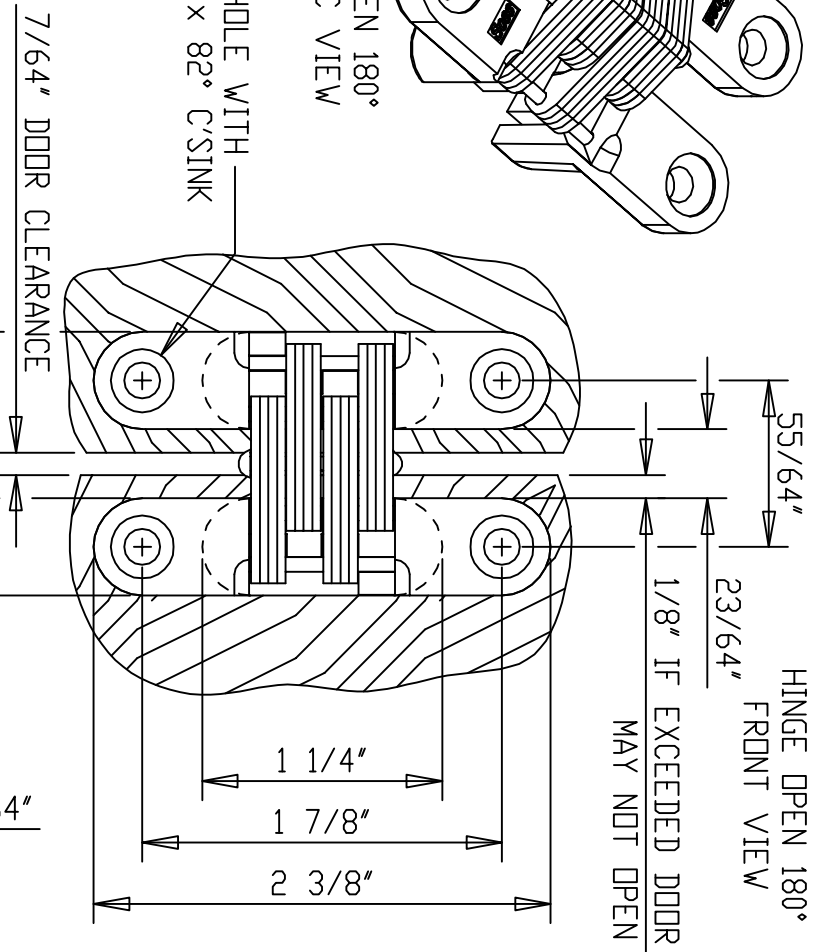
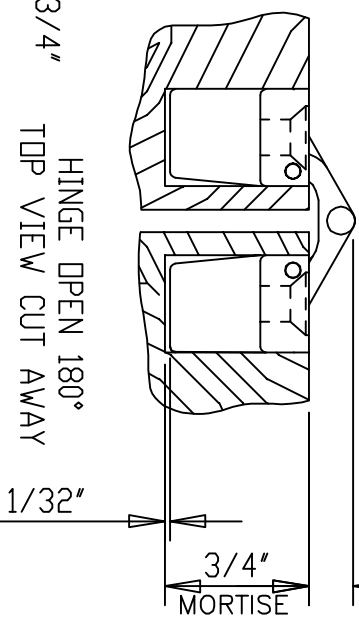


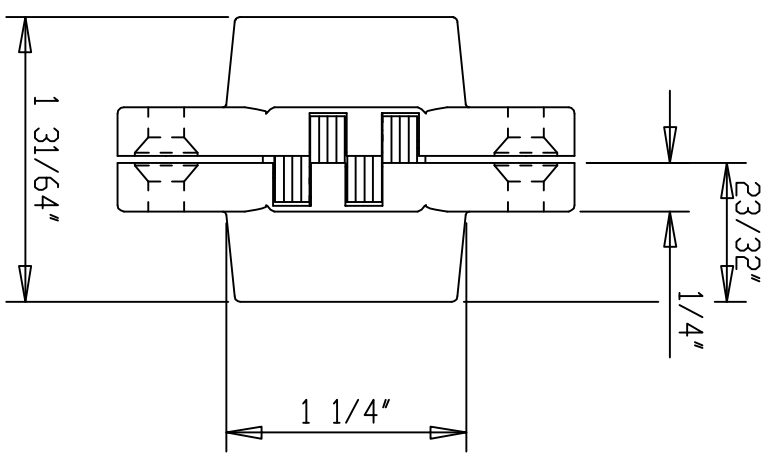
HINGE OPEN 180°
ISOMETRIC VIEW



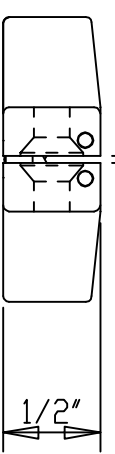
SUPPLIED:
WOOD SCREW
#7 x 1-1/4"
SPECIAL ORDER:
MACH. SCREW
#8-32 x 5/8"




HINGE CLOSED
FRONT VIEW CUT AWAY



HINGE CLOSED
TOP VIEW CUT AWAY



MIN. MATERIAL THICKNESS IS 3/4"
DO NOT SCALE DRAWING
ALL DIMENSIONS ARE IN INCH
DOOR CLEARANCE REDUCES TO 1/64" WHILE CLOSING
SEE DWG# 4477-C IF ADDING MATERIAL TO DOOR FACE AND/OR FRAME FACE

 ©Copyright Universal Industrial Products, Inc. One Coreway Drive Pioneer, Ohio 43354-0628		SCALE: 1 = 1
		DRAWN BY: LHH
HINGE TEMPLATE		DATE: 5/01/11
#204 SSSS INVISIBLE HINGE		DRAWING # 204