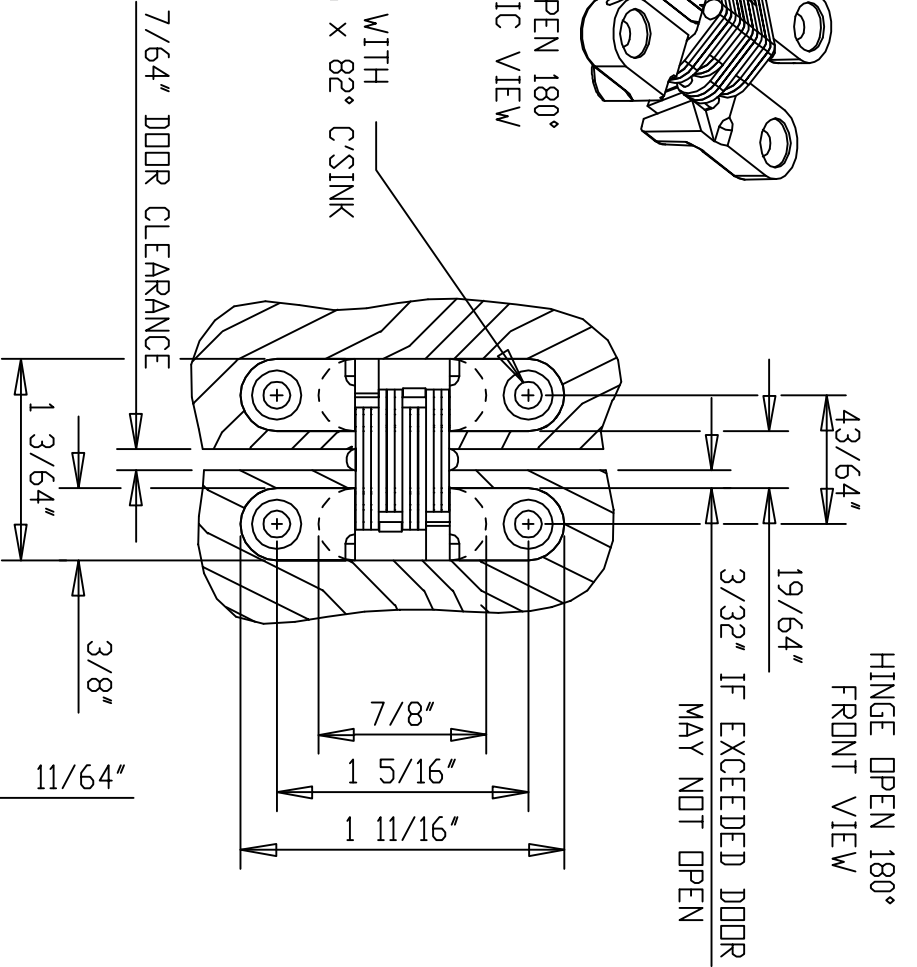


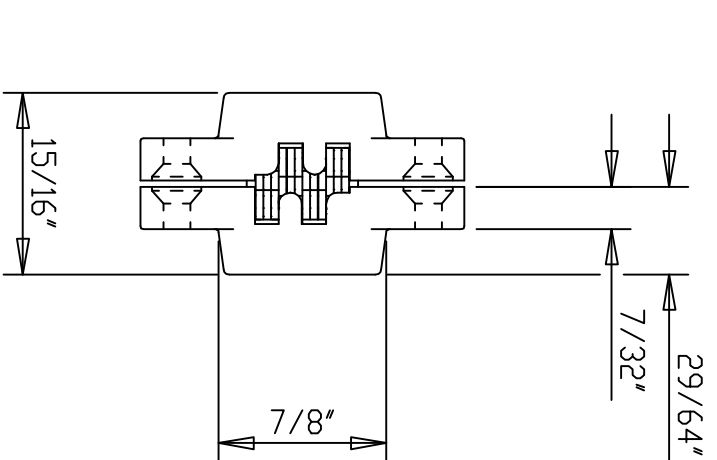
HINGE OPEN 180°
ISOMETRIC VIEW

.140" DIA WITH
.256" DIA X 82° C/SINK

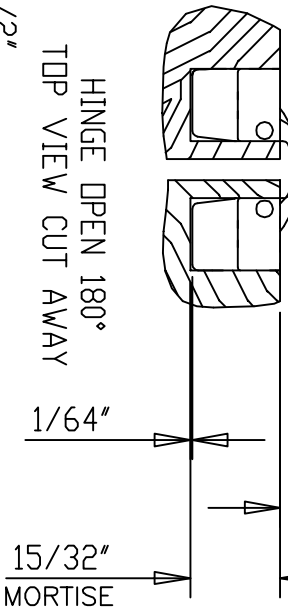


HINGE OPEN 180°
FRONT VIEW

HINGE CLOSED
FRONT VIEW CUT AWAY



SUPPLIED:
WOOD SCREW
#5 x 3/4"
SPECIAL ORDER:
MACH. SCREW
#4-40 x 1/2"



HINGE OPEN 180°
TOP VIEW CUT AWAY

HINGE CLOSED
TOP VIEW CUT AWAY

MIN. MATERIAL THICKNESS IS 1/2"
DO NOT SCALE DRAWING
ALL DIMENSIONS ARE IN INCH
DOOR CLEARANCE REDUCES TO 1/32" WHILE CLOSING
SEE DWG# 4477-C IF ADDING MATERIAL TO DOOR FACE AND/OR FRAME FACE

<p>©Copyright Universal Industrial Products, Inc. One Coreway Drive Pioneer, Ohio 43354-0628</p>		SCALE: 1 = 1
		DRAWN BY: LHH
HINGE TEMPLATE		DATE: 5/01/11
#101 SSSS INVISIBLE HINGE		DRAWING # 101