

SEACHROME

SEACHROME CORPORATION
344 West 157th Street
Gardena, California 90248
Phone: (800) 955-2476
Fax: (800) 444-3380

Description:

GW-4130-SS
SWING-UP GRAB BAR
(Satin Stainless Finish)

Customer:

Customer Part #

12-30-2011

OPERATION:

Constant Friction Hinge guides the Swing-Up Bar up and down with less than 3 lbs. of force. The Swing-Up Bar will not move of its own weight.

ARCHITECTURAL SPECIFICATIONS

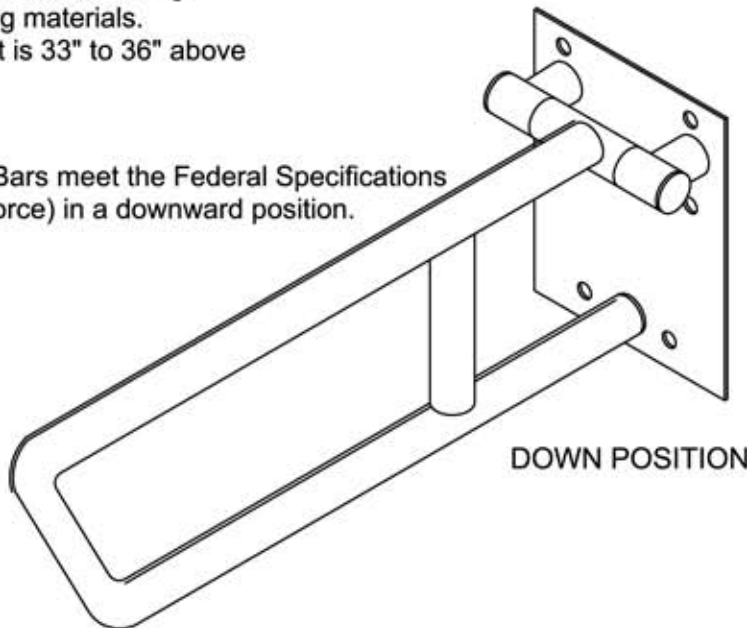
SEACHROME #GW-4130-SS SWING-UP BAR
from Seachrome Corp., Gardena, California 90248
Phone: (800) 955-2476
Mounting Plate.... 10ga., 304 Stainless Steel
Swing-Up Bar..... 1-1/4" Dia. x 18ga., 304
Stainless Steel Tubing.
Constant Friction Hinge... 12ga., 304 S.S.

INSTALLATION

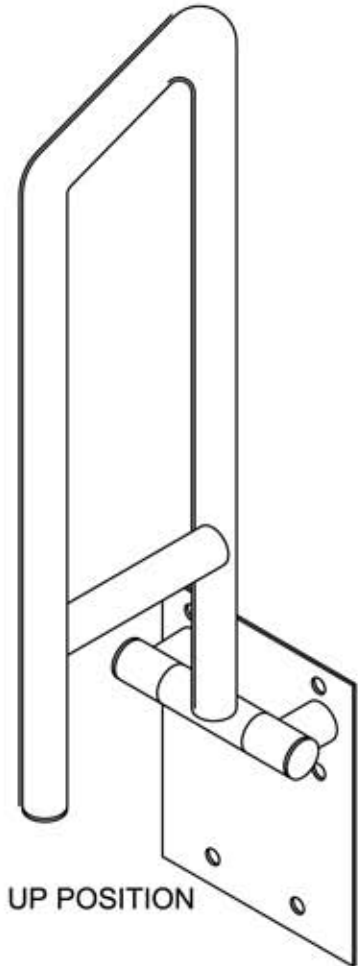
All Swing Bars must be installed using sufficient in-wall backing materials. A.D.A. Mounting Height is 33" to 36" above the floor level.

LOAD RATING:

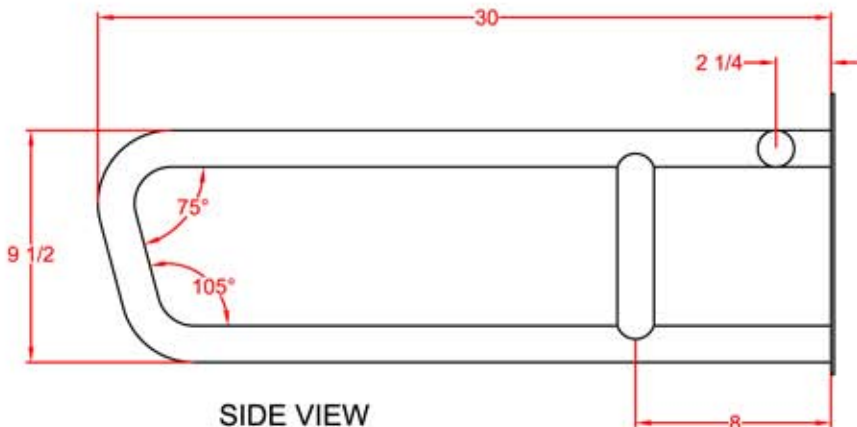
All Seachrome GSSU Bars meet the Federal Specifications of 250 lb/f (pounds of force) in a downward position.



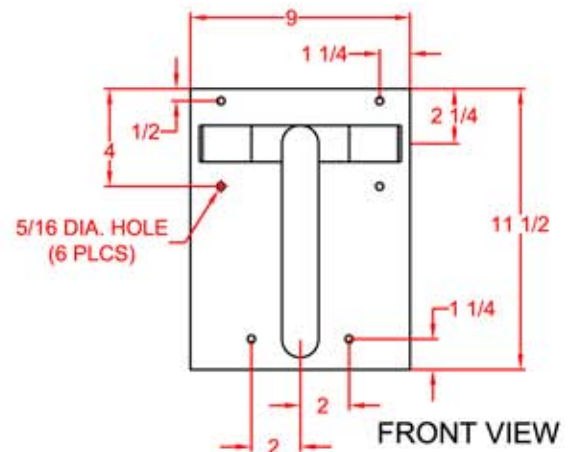
DOWN POSITION



UP POSITION



SIDE VIEW



FRONT VIEW