



**WIND**  
***SALICE***



# WIND



The Wind lift system is characterized by compactness and elegant design.

Its movement is smooth and perfectly controlled. Wind is small and unobtrusive, enabling the maximum utilization of cabinet internal space. Suitable for Kitchen cabinets, living room or bedroom furniture and office furniture.

In the kitchen environment, Wind has strong functional appeal - a compact adjustable lift system that takes up a minimum of valuable storage space.

Aesthetics also play a key role with Wind's small size and streamlined shape adding significantly to the overall appeal of the cabinets to which it is installed.

Wind is available in a range of attractive finishes designed to complement the vast range of cabinet applications that it can be used for.

Wind Lift system is a simple program that covers a large variety of door sizes.



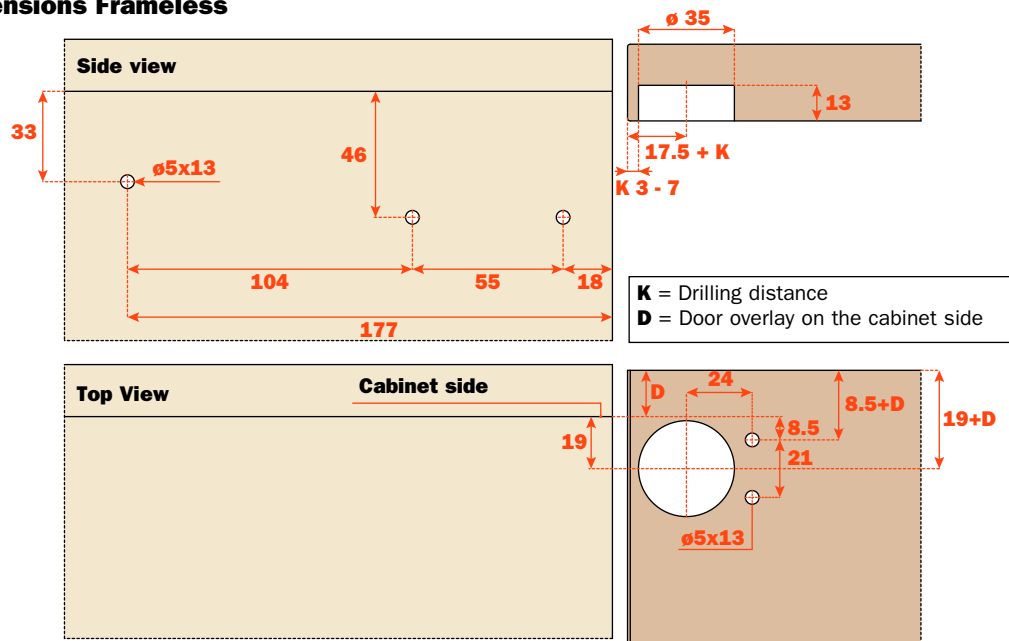


## Technical information

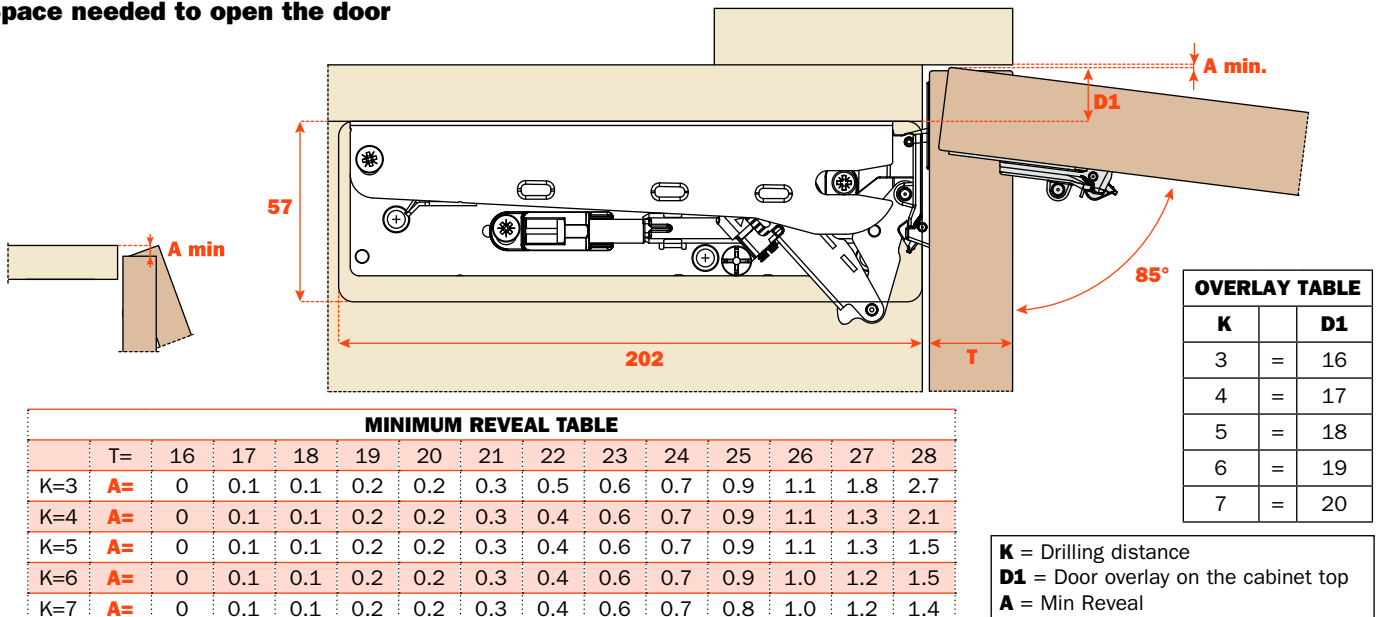
### Flap door lift system fixed to the cabinet sides.

Drilling of the door  $\varnothing 35$ .  
 13 mm deep cup.  
 85° opening with stop device (premounted).  
 94° opening without stop device.  
 Minimum door height 220mm / 8-5/8"  
 Maximum door height 610mm / 24"  
 Possible drilling distance on the door (K): from 3 to 7 mm.

## Drilling pattern - Dimensions Frameless

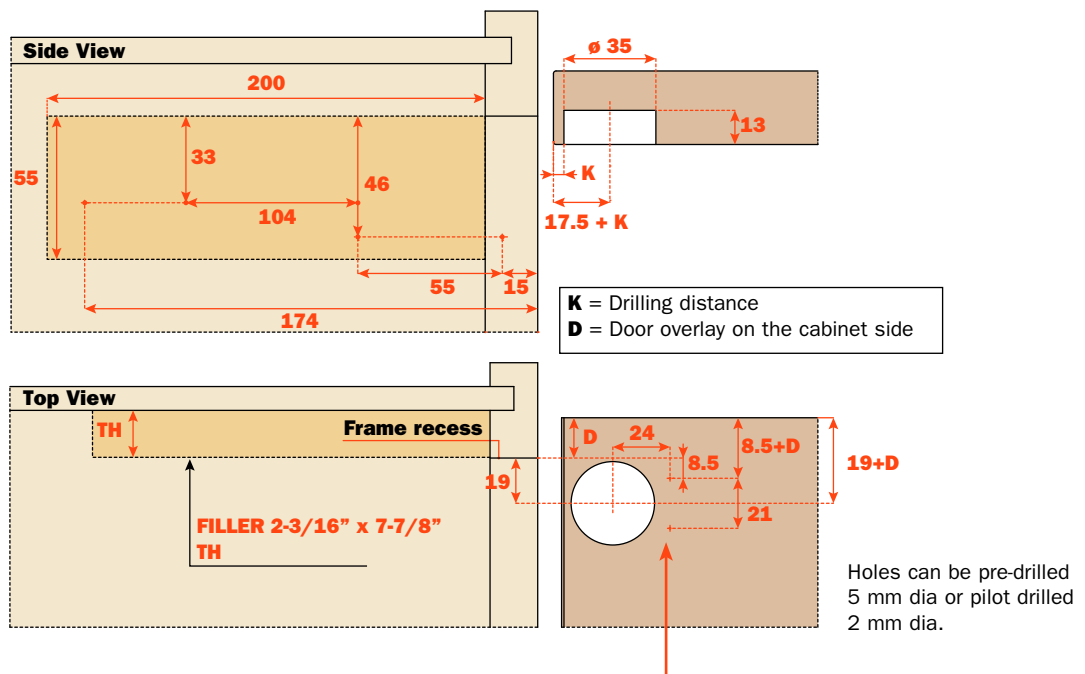


## Space needed to open the door

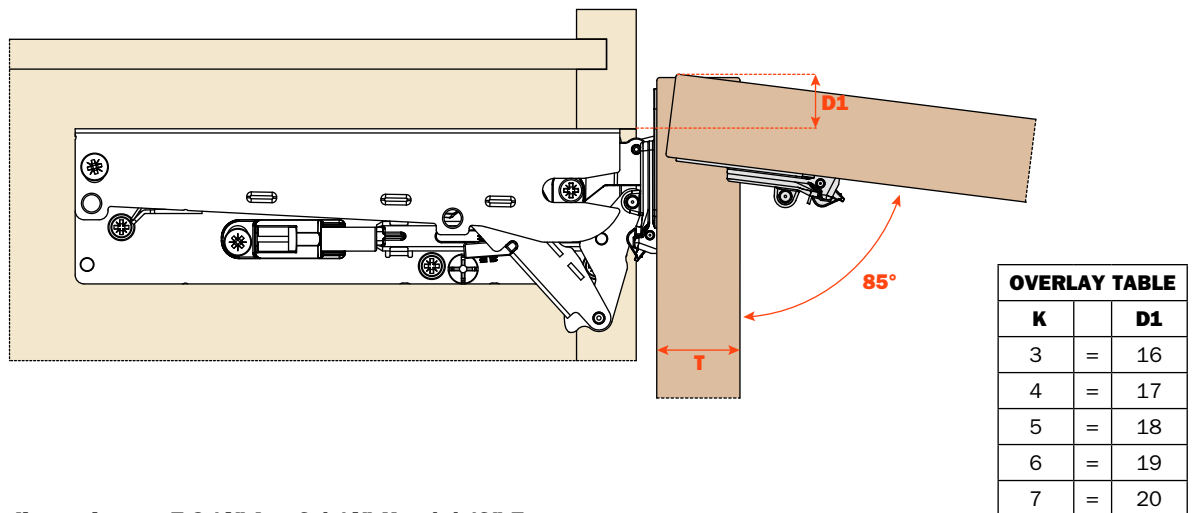




**Drilling pattern - Dimensions - Frame**



**Space needed to open the door**

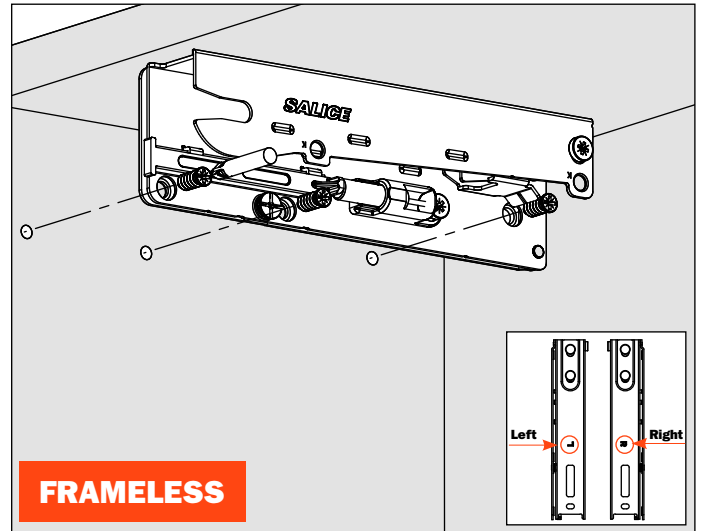
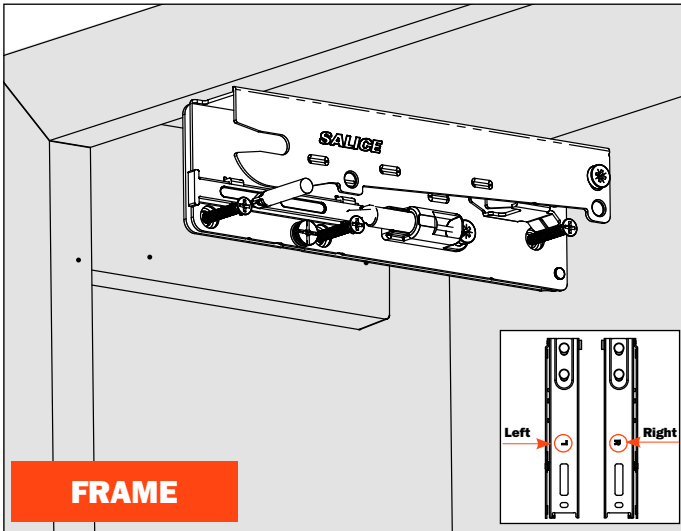


**Wind "Footprint" dimensions= 7-3/4" L x 2-1/4" H x 1-1/2" T**

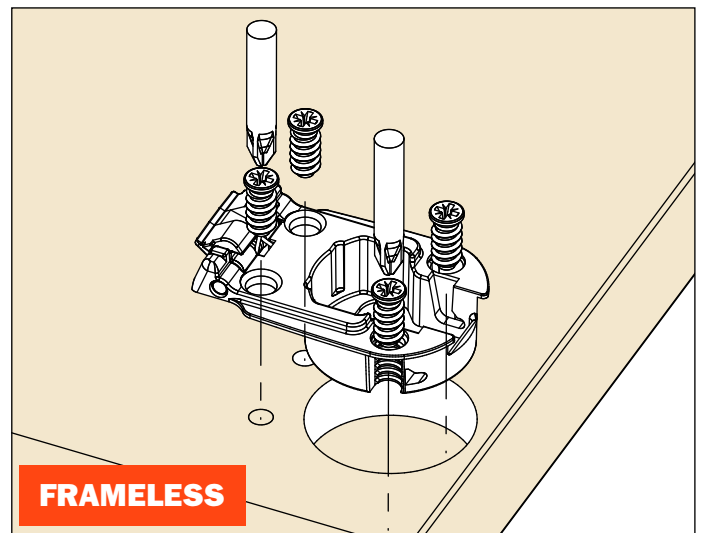
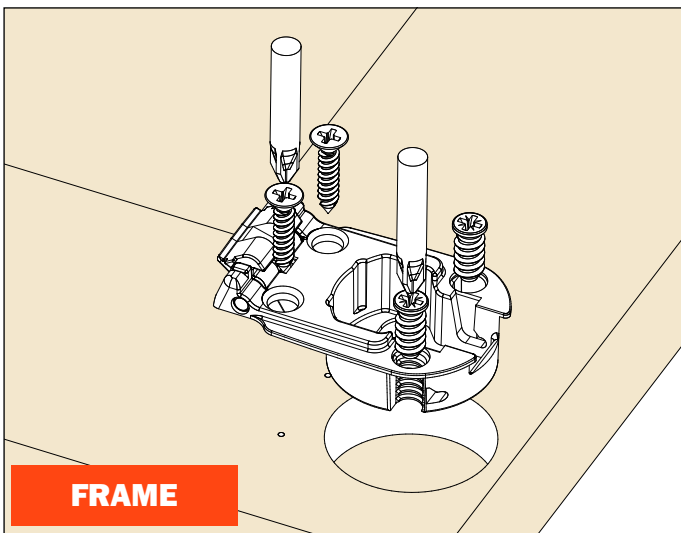
**K** = Drilling distance  
**D1** = Door overlay on the cabinet top

**Attaching the base to the cabinet sides**

Use 5mm x 13mm system screws or #7 x 5/8" wood screws.



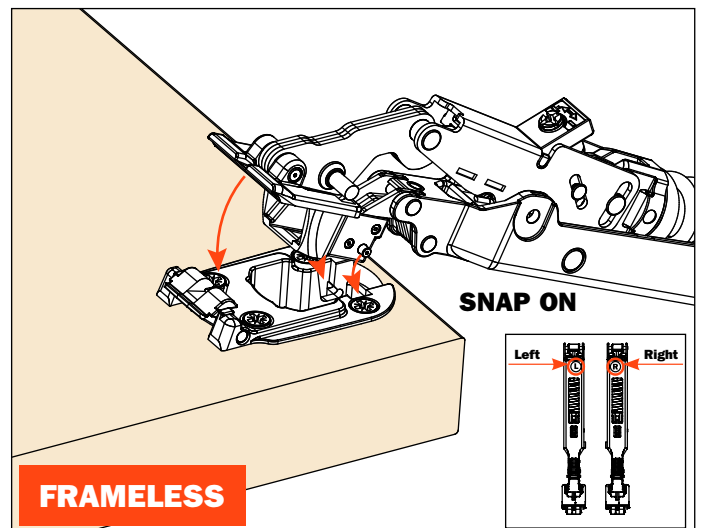
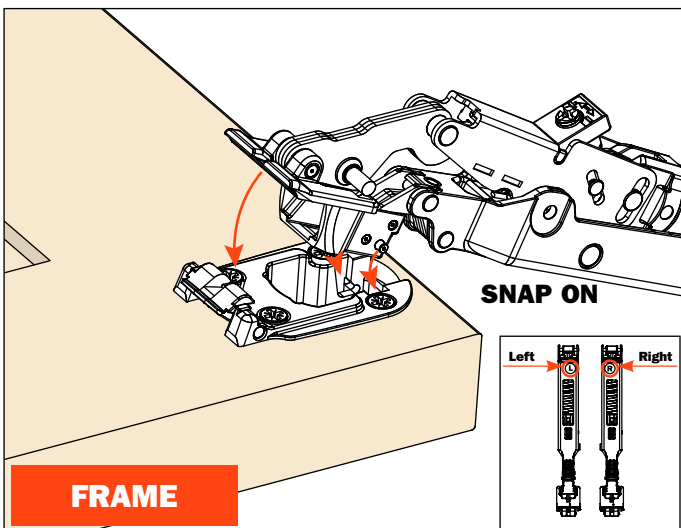
**Installing the cups to the door**



**Connecting the lift mechanism to the cups**

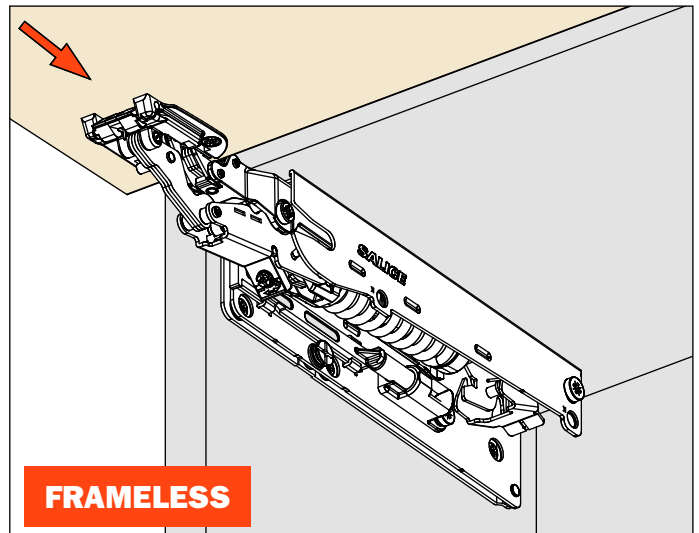
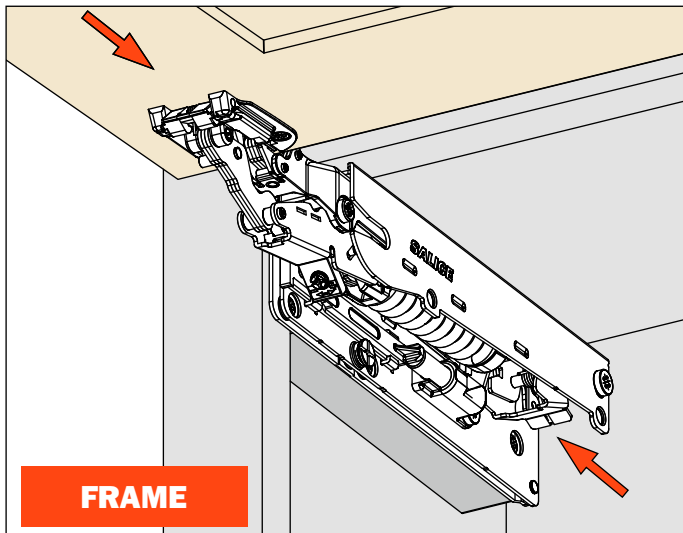
This operation is tool free.

**Note:**  
**LH** lift mechanism must be installed in LH base,  
**RH** lift mechanism must be installed in RH base.

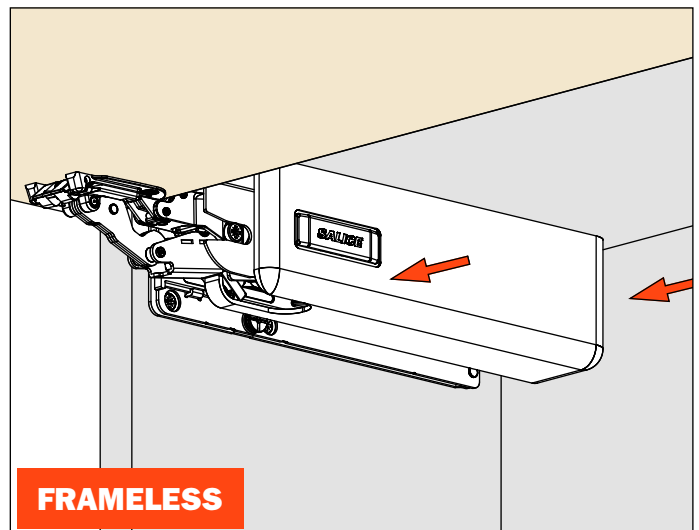
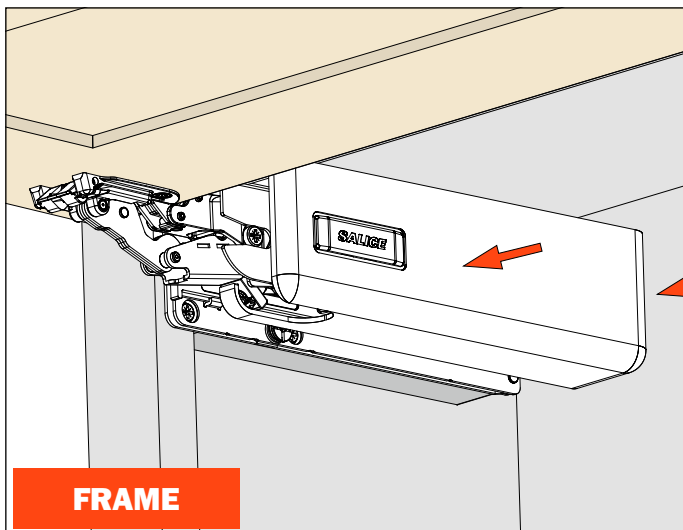


## Connecting the lift system to the base

This operation is tool free.



## Installing the covers





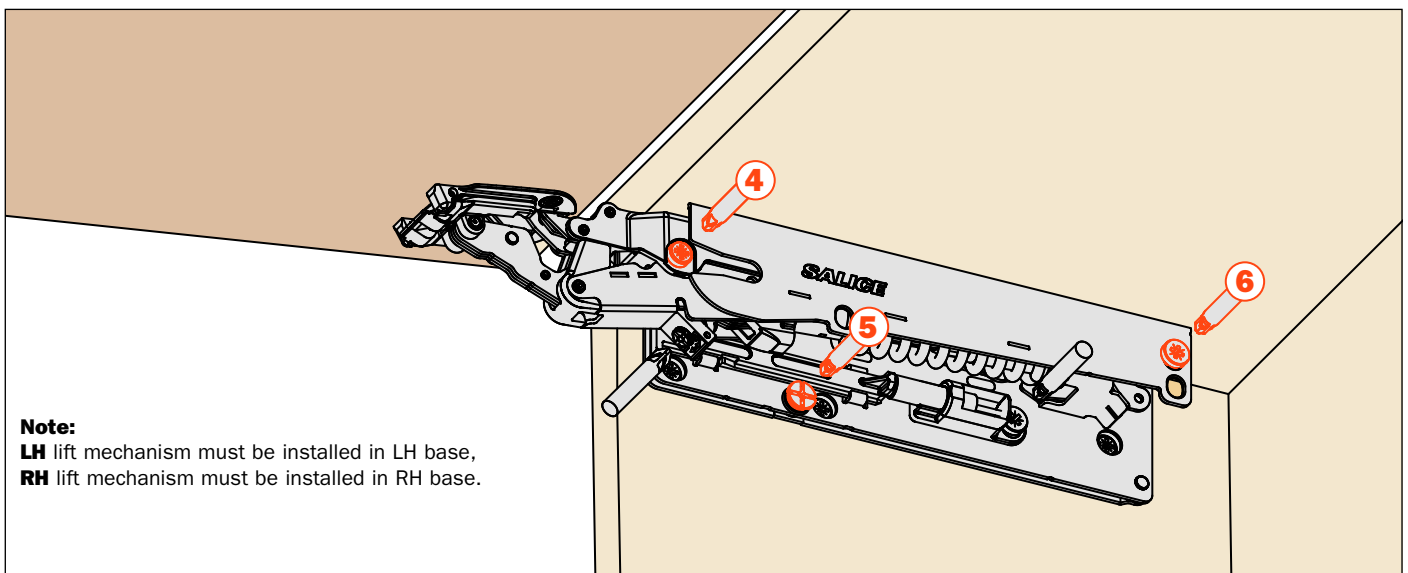
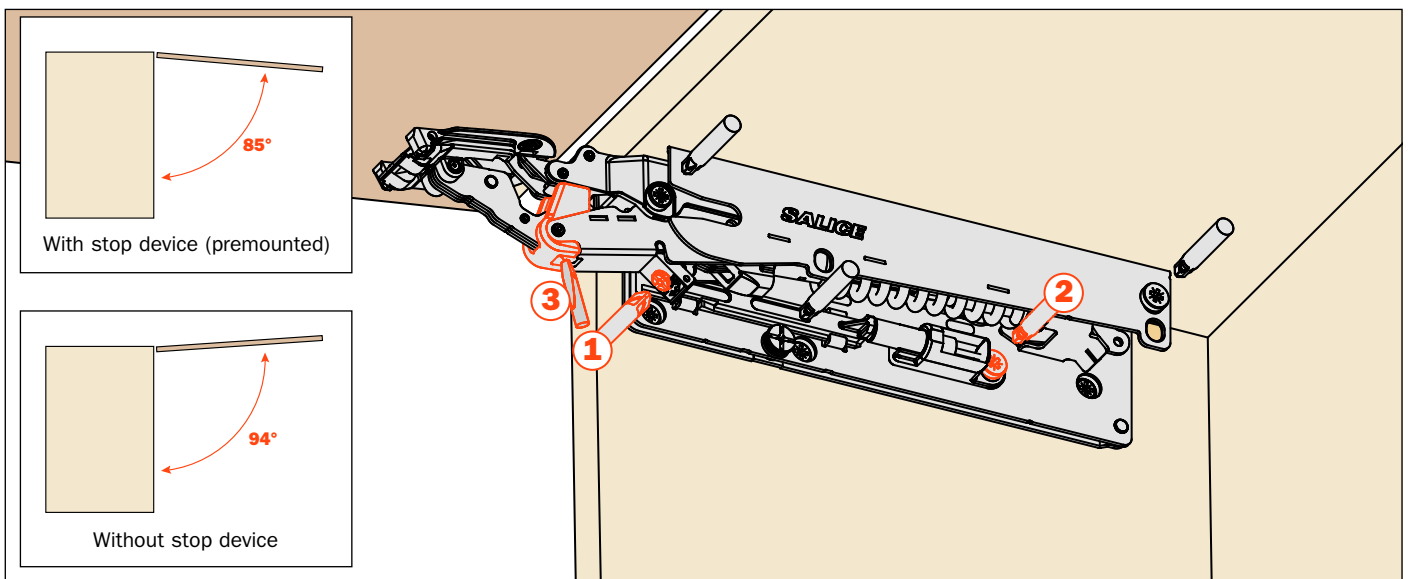
## WARNING ! Security cable ties.

Remove the cable ties only at the end of the assembly.  
Use the instructions and the QR Code attached to the systems.

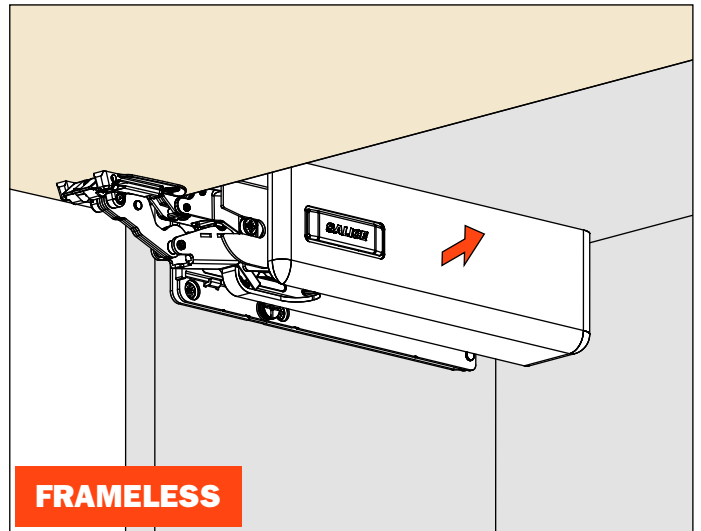
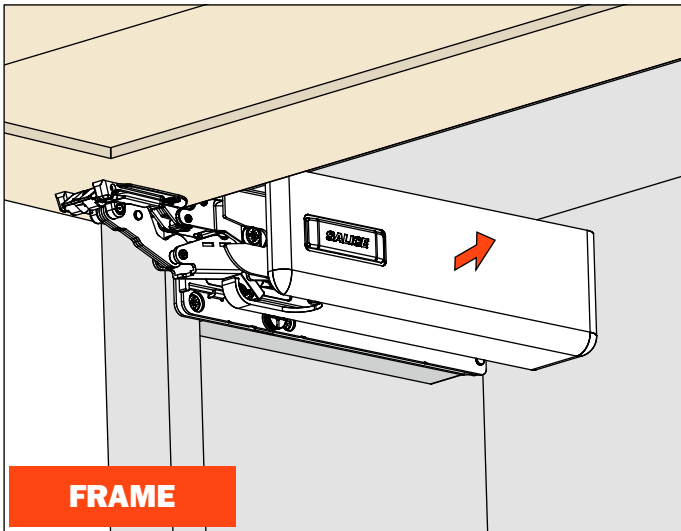


## Adjustments.

- 1 - adjustment of the spring strength.
- 2 - adjustment of the decelerating effect.
- 3 - removal of the angle reduction clip.
- 4 - height adjustment of the door from - 2 to +2.
- 5 - side adjustment of the door from - 2 to +2.
- 6 - depth adjustment of the door from - 1 to +3.

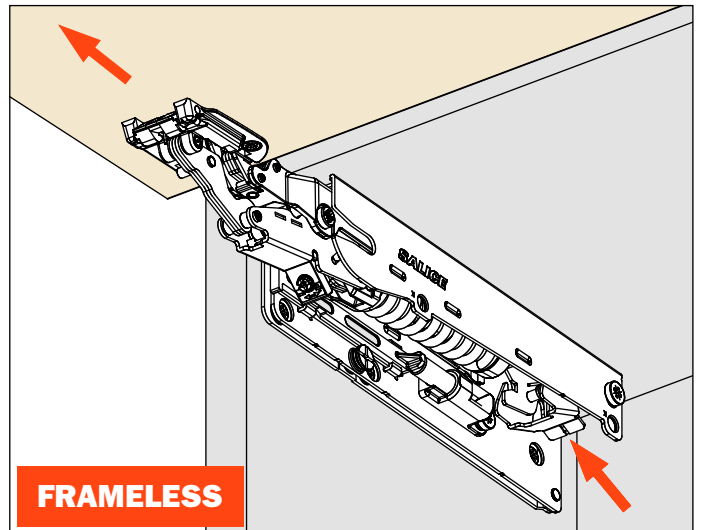
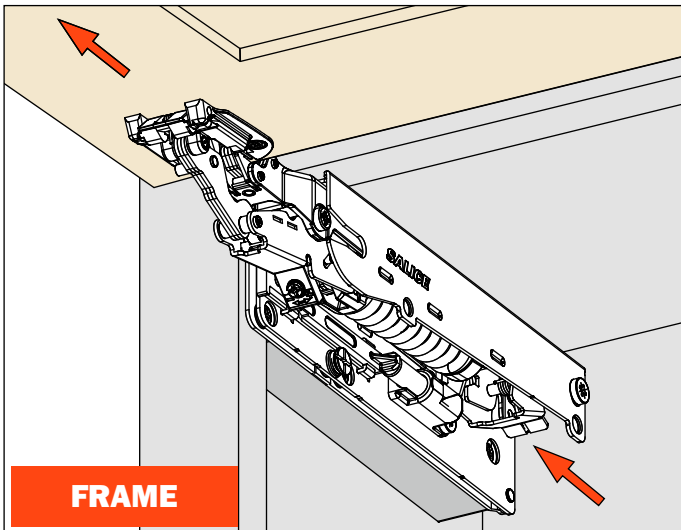


**Removal of the covers**



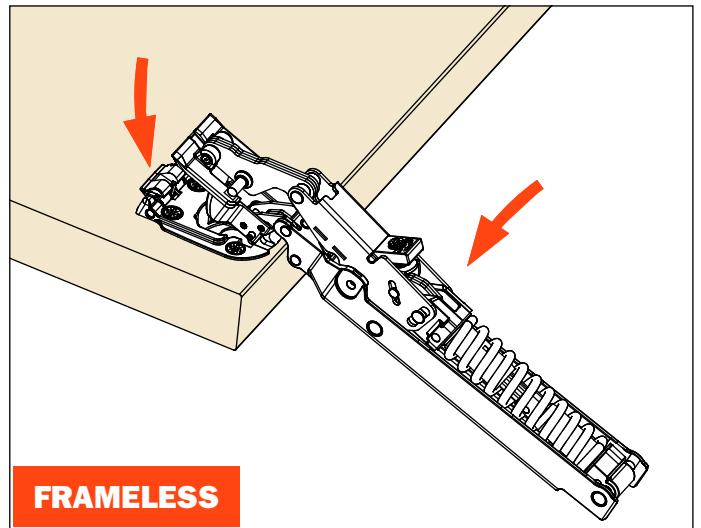
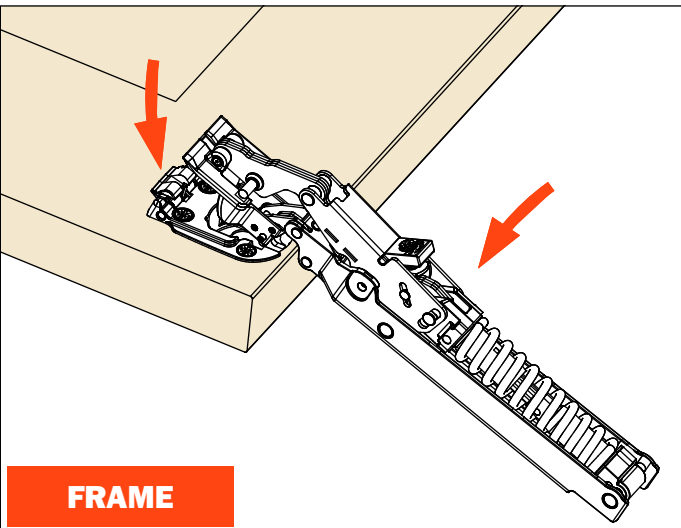
**Disassembly of the system**

Press the back lever and remove the lift mechanism. This operation is tool free.



**Remove the lift mechanism from the cups (door)**

Disconnecting the system from the cups. This operation is tool free.



# Wind - Optional top mount bracket



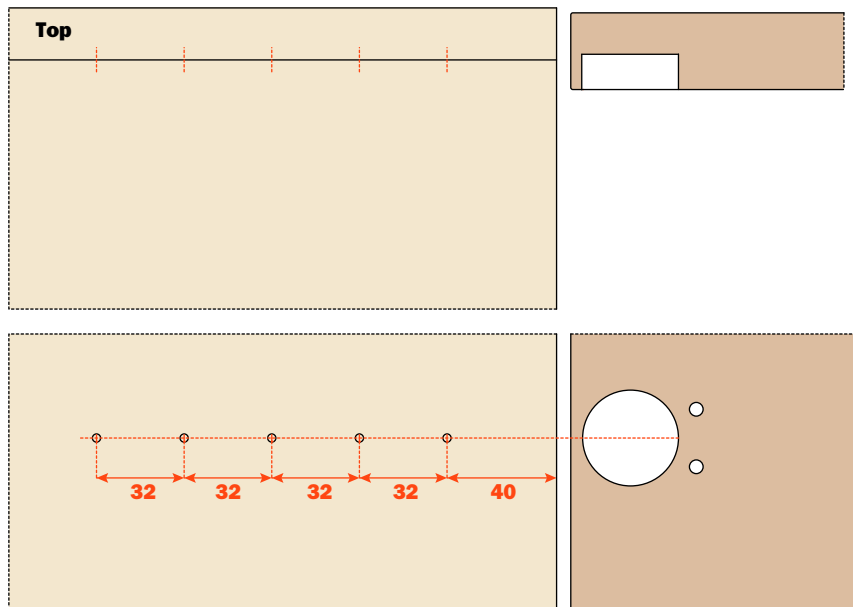
## Technical information

**Bracket to be attached to the top of the cabinet for use with:**

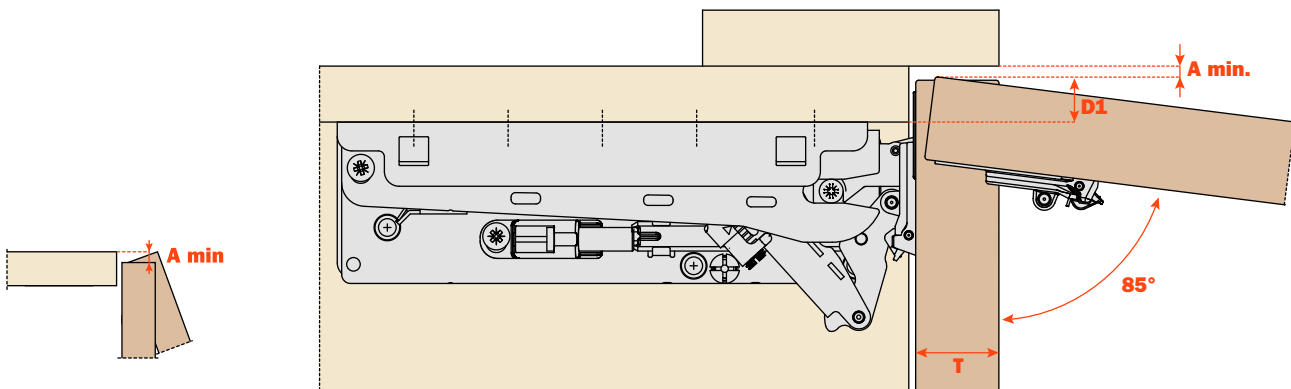
- angled cabinets
- wide or heavier doors
- 5 piece doors

Note: When using the top mount bracket, the overlay is reduced by 3mm. Refer to the overlay chart below.

## Drilling pattern.



## Space needed to open the door.



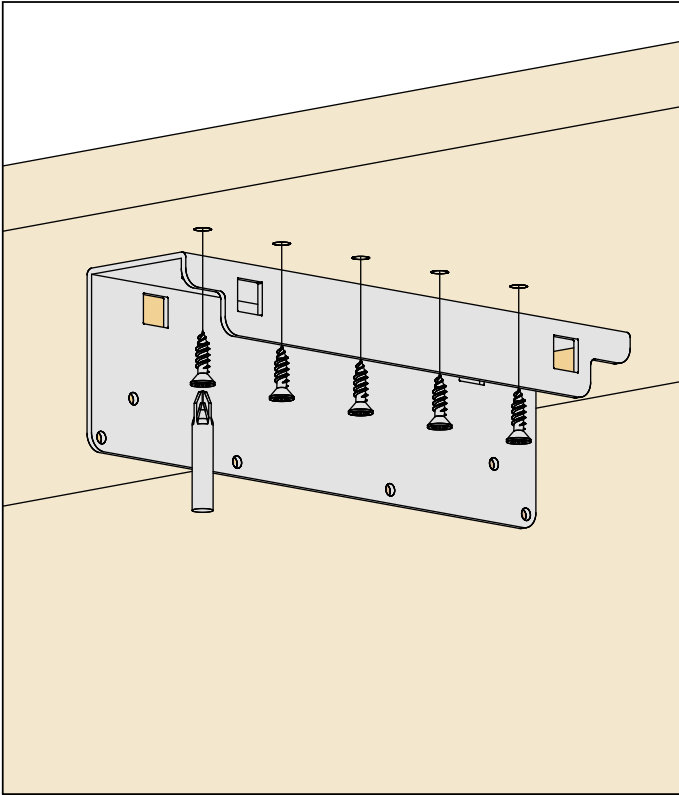
K	D1
3	= 13
4	= 14
5	= 15
6	= 16
7	= 17

	T=	16	17	18	19	20	21	22	23	24	25	26	27	28
K=3	<b>A = min</b>	0	0.1	0.1	0.2	0.2	0.3	0.5	0.6	0.7	0.9	1.1	1.8	2.7
K=4	<b>A = min</b>	0	0.1	0.1	0.2	0.2	0.3	0.4	0.6	0.7	0.9	1.1	1.3	2.1
K=5	<b>A = min</b>	0	0.1	0.1	0.2	0.2	0.3	0.4	0.6	0.7	0.9	1.1	1.3	1.5
K=6	<b>A = min</b>	0	0.1	0.1	0.2	0.2	0.3	0.4	0.6	0.7	0.9	1.0	1.2	1.5
K=7	<b>A = min</b>	0	0.1	0.1	0.2	0.2	0.3	0.4	0.6	0.7	0.8	1.0	1.2	1.4

## Assembly instructions for the brackets

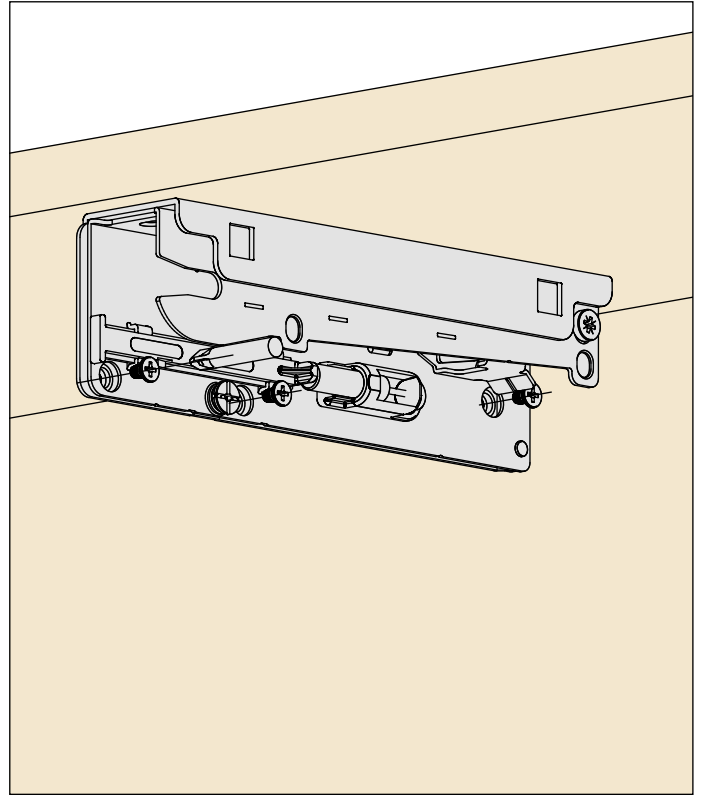
### Attaching the brackets to the top of the cabinet.

Attach with five #8 x 5/8" wood screws provided



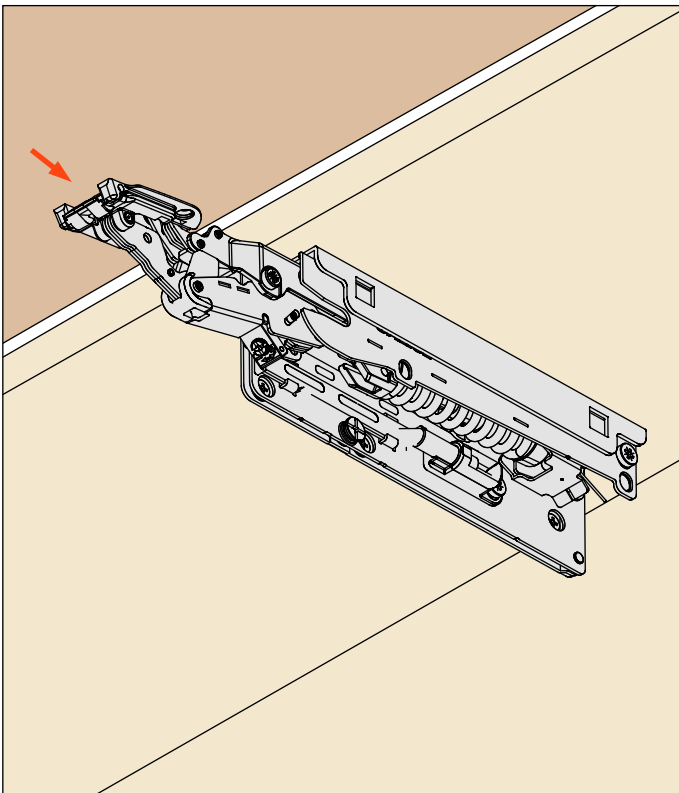
### Attaching the base to the top bracket.

Attach with the 3 machine screws provided.

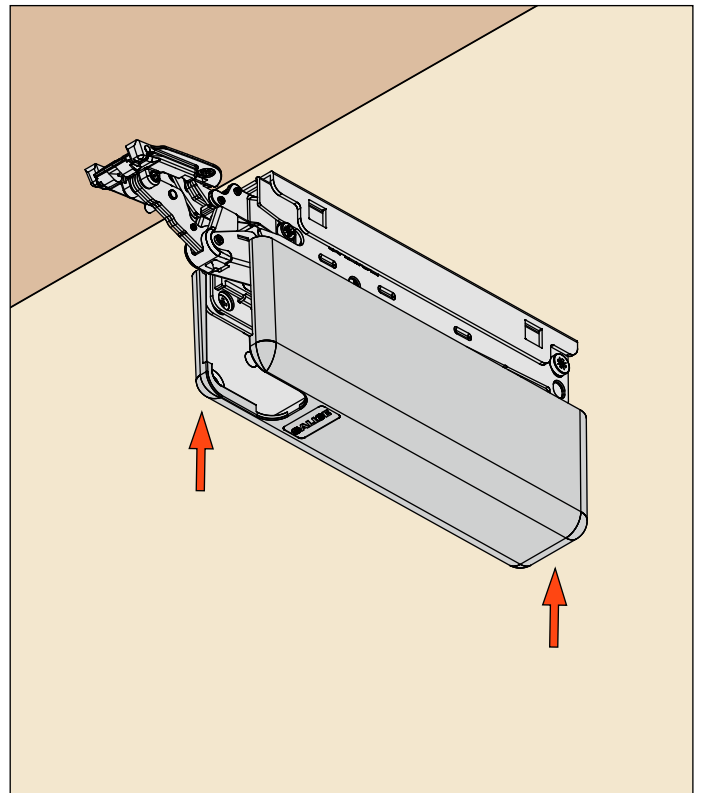


### Connecting the lift system to the base.

This operation is tool free.

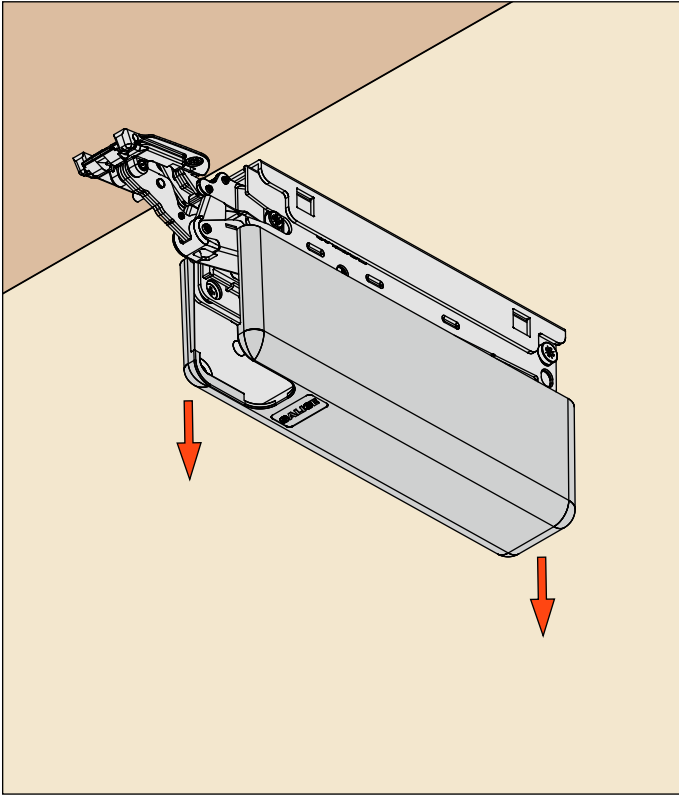


### Installing the covers.

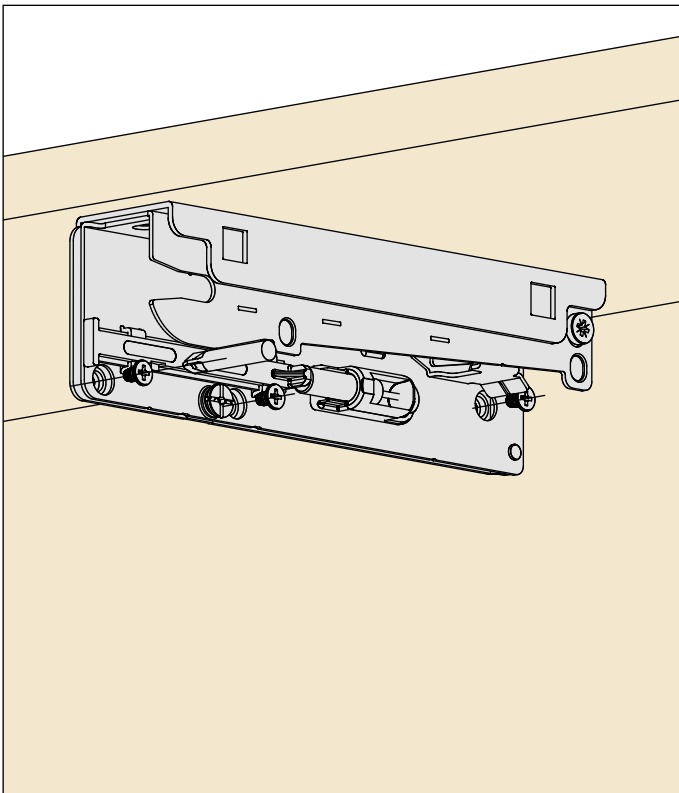




## Removal of the covers.

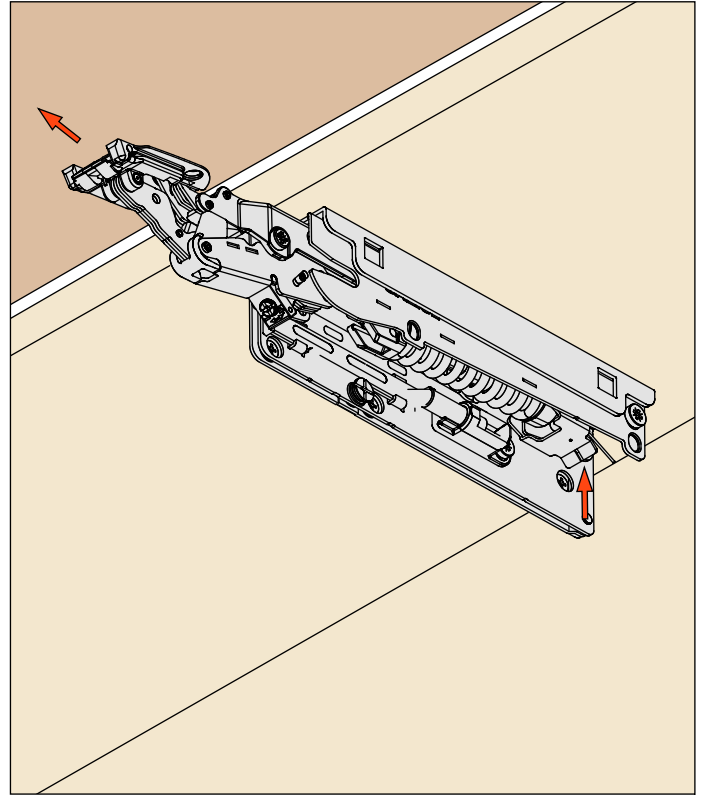


Remove the base from the bracket.

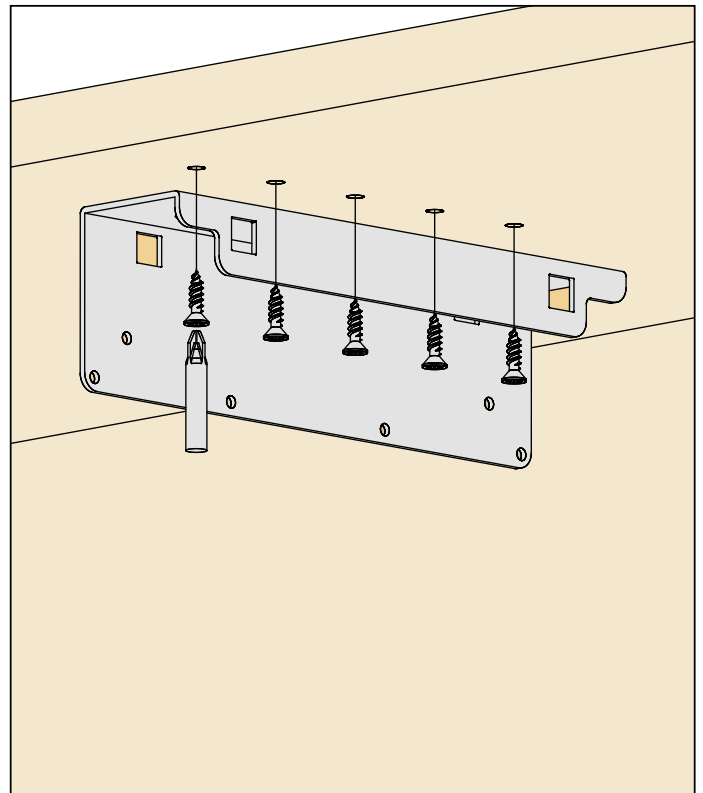


## Disassembly of the system.

Press the back lever and remove the lift system.  
This operation is tool free.



Remove the screws and the bracket.

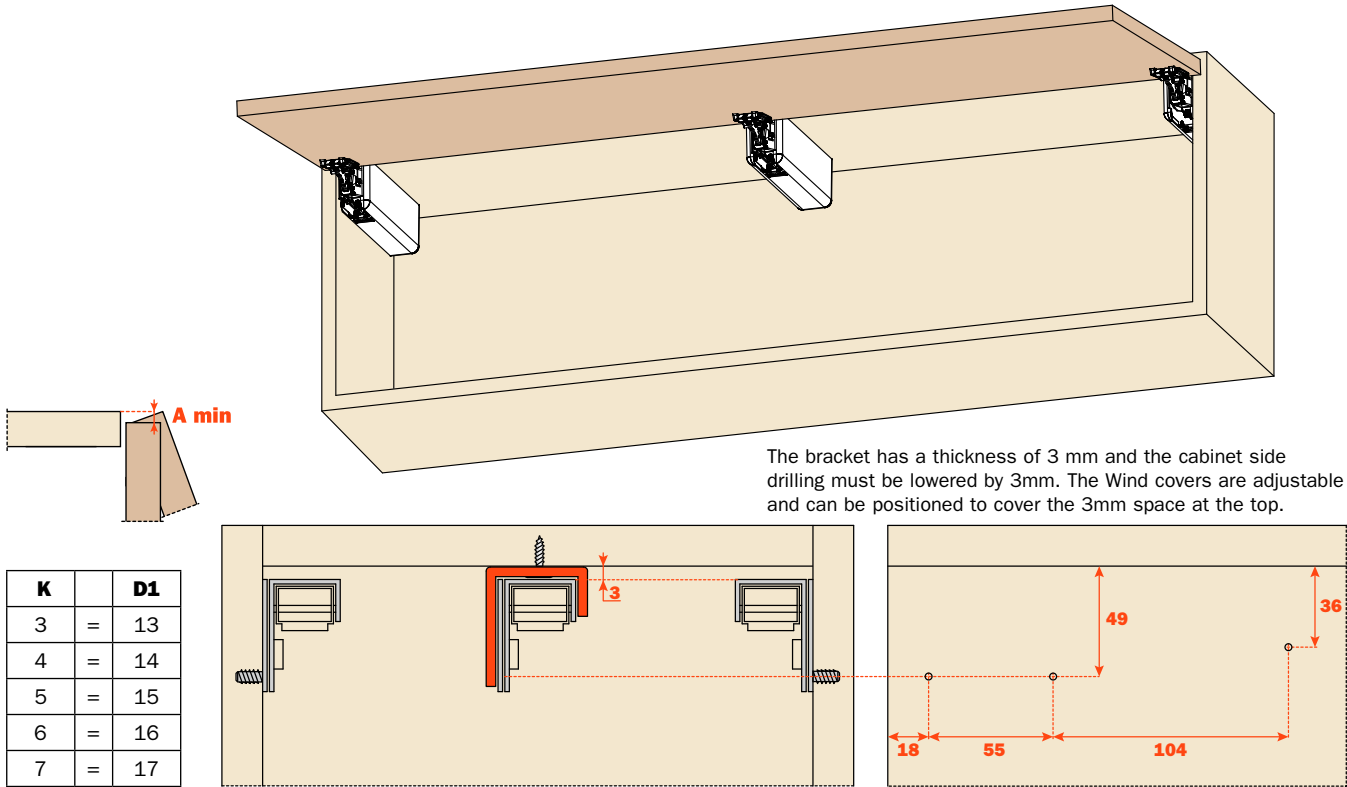




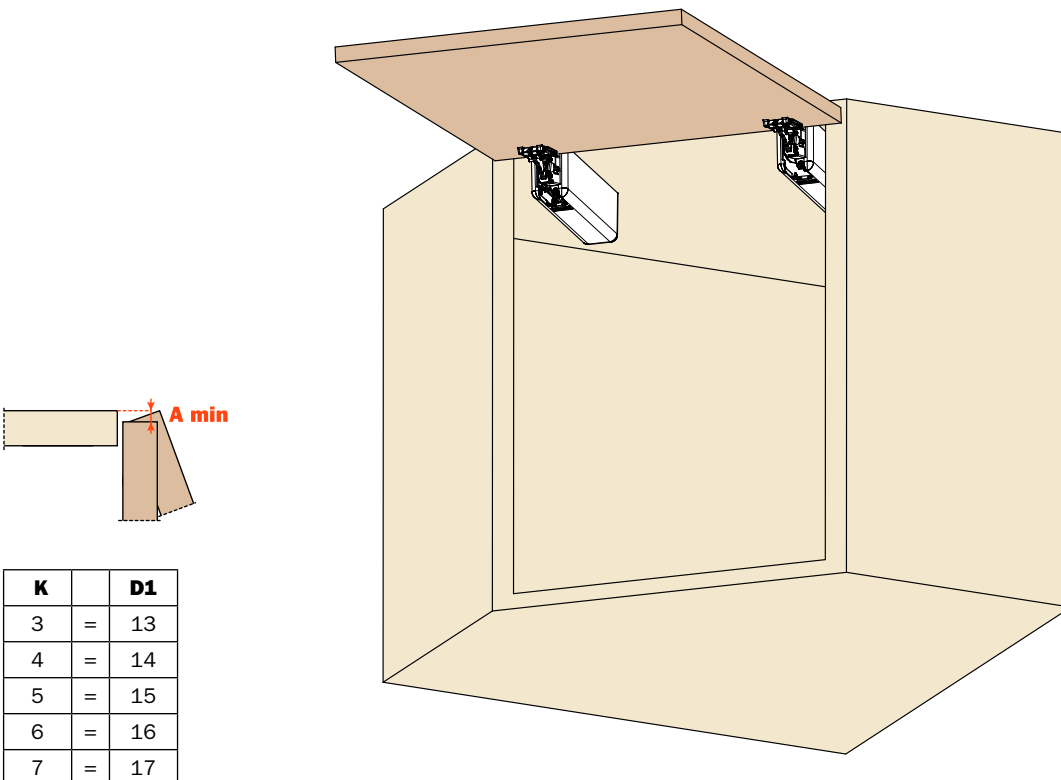
## Top mount bracket applications

**For cabinets that require a third system. For wide cabinet applications without a center partition.**  
**The maximum door width for two Wind is 1200mm/48"**

**Note:** Wind can be used on doors that are larger or heavier by adding additional Wind lifts to the cabinet and door. This can be done by installing a center partition and adding additional Wind lifts or by utilizing the Top Mount Brackets with additional Wind lifts. For all applications requiring more than two Wind lifts, check the Wind charts on pages 19 & 20. Please consult with your local sales representative or contact technical service.



## For angled cabinets.



## Wind - Cover finishes for the cabinet base

### **SRXA78A1SNXX\_**

White  
Nickel-plated cover cap



### **SRXA78A0SNXX\_**

Glossy white  
Nickel-plated cover cap



### **SRXA78AMSXX\_**

Gray  
Nickel-plated cover cap



### **SRXA78AISXX\_**

Stainless steel  
Nickel-plated cover cap



### **SRXA78A0SNXX\_**

Satin metal black  
Titanium cover cap



### **SRXA78ANSXX\_**

Glossy metal black  
Titanium cover cap



### **SRXA78ACSNXX\_**

Champagne  
Nickel-plated cover cap



## Cover finishes for the Top mount bracket

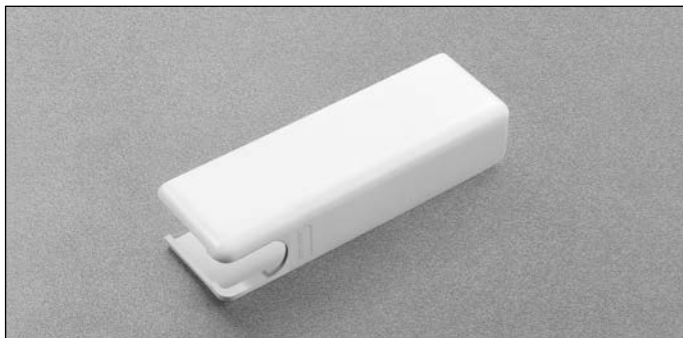
### SRUA78A1SNXXI

White



### SRUA78AQSXXI

Glossy white



### SRUA78AMSXXI

Gray



### SRUA78AISXXI

Stainless steel



### SRUA78A0SNXXI

Satin metal black



### SRUA78ANSXXI

Glossy metal black

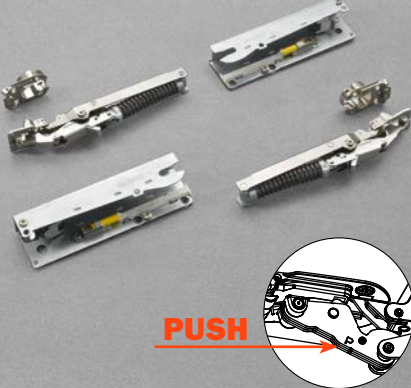


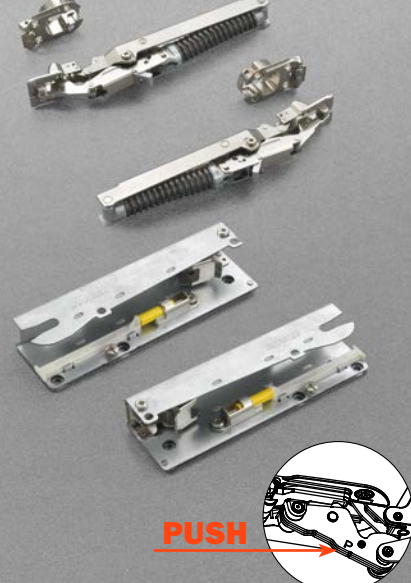
### SRUA78AČSNXXI


Champagne






KIT PACKAGING	PART NUMBER	PACKAGING
	<p style="text-align: center;"><b>SOFT CLOSE</b>  <b>FRAKFEX SN9</b>  <b>SPRING FORCE</b> ↑</p> <p style="text-align: center;">See page 18 and 19 for the appropriate spring package letter</p>	<p>One box contains:</p> <ul style="list-style-type: none"> <li>2 hinge cups</li> <li>•</li> <li>1 Right hand lift mechanism</li> <li>1 Left hand lift mechanism</li> <li>•</li> <li>1 Right hand cabinet base</li> <li>1 Left hand cabinet base</li> <li>•</li> </ul> <p>Includes 5mm x 13mm system screws</p> <p>Note : #7 x 5/8" wood screws can also be used</p>
	<p style="text-align: center;"><b>PUSH OPENING</b>  <b>FRAKFEP SN9</b>  <b>SPRING FORCE</b> ↑</p> <p style="text-align: center;">See page 18 and 19 for the appropriate spring package letter</p>	

INDUSTRIAL PACKAGING	PART NUMBER	PACKAGING
	<p style="text-align: center;"><b>SOFT CLOSE</b>  <b>FRAKINX SN9</b>  <b>SPRING FORCE</b> ↑</p>	<p>One box contains:</p> <ul style="list-style-type: none"> <li>18 Hinge cups</li> <li>•</li> <li>9 Right hand lift mechanisms</li> <li>9 Left hand lift mechanisms</li> <li>•</li> <li>9 Right hand cabinet bases</li> <li>9 Left hand cabinet bases</li> <li>•</li> </ul> <p>Includes 5mm x 13mm system screws</p> <p>Note : #7 x 5/8" wood screws can also be used</p>
	<p style="text-align: center;"><b>PUSH OPENING</b>  <b>FRAKINP SN9</b>  <b>SPRING FORCE</b> ↑</p>	

COVERS	PART NUMBER	PACKAGING
	<p style="text-align: center;"><b>KIT PACKAGING</b>  <b>SRXA78A SNXXF</b>  <b>COVER COLOR</b> ↑</p> <p style="text-align: center;">See page 14 for the appropriate cover number</p>	<p>One box contains:</p> <ul style="list-style-type: none"> <li>1 Right hand cover</li> <li>1 Left hand cover</li> </ul> <p>Includes cover caps</p> <p>Note: can be personalized</p>
	<p style="text-align: center;"><b>INDUSTRIAL PACKAGING</b>  <b>SRXA78A SNXXI</b>  <b>COVER COLOR</b> ↑</p> <p style="text-align: center;">See page 14 for the appropriate cover number</p>	<p>One box contains:</p> <ul style="list-style-type: none"> <li>9 Right hand covers</li> <li>9 Left hand covers</li> </ul> <p>Includes cover caps</p> <p>Note: can be personalized</p>

KIT-SET PACKING BRACKET AND COVER	PART NUMBER	PACKAGING
	<p style="text-align: center;"><b>FRAUFEXXX</b></p> <p style="text-align: center;">   <b>COLOR OF THE COVER</b> </p>	<p>1 carton contains:</p> <ul style="list-style-type: none"> <li>2 brackets</li> <li>·</li> <li>2 covers for the brackets</li> <li>·</li> </ul> <p>Wood screws to install the bracket and machine screws to attach the base are included.</p>

INDUSTRIAL PACKAGING TOP MOUNT BRACKET	PART NUMBER	PACKAGING
	<p style="text-align: center;"><b>FRAUINXXX5</b></p>	<p>1 carton contains:</p> <ul style="list-style-type: none"> <li>18 brackets</li> <li>·</li> </ul> <p>Wood screws to install the bracket and machine screws to attach the base are included.</p>

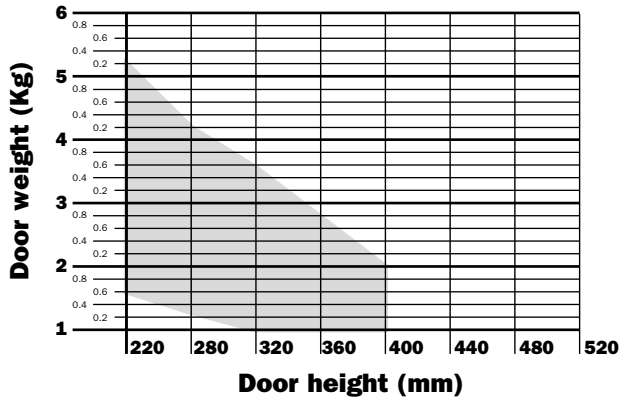
INDUSTRIAL PACKAGING COVER FOR THE BRACKET	PART NUMBER	PACKAGING
	<p style="text-align: center;"><b>SRUA78A_SNXXI</b></p> <p style="text-align: center;">   <b>COLOR OF THE COVER</b> </p>	<p>1 carton contains:</p> <p>18 covers for the brackets</p>

# Wind - Charts and Spring force identification

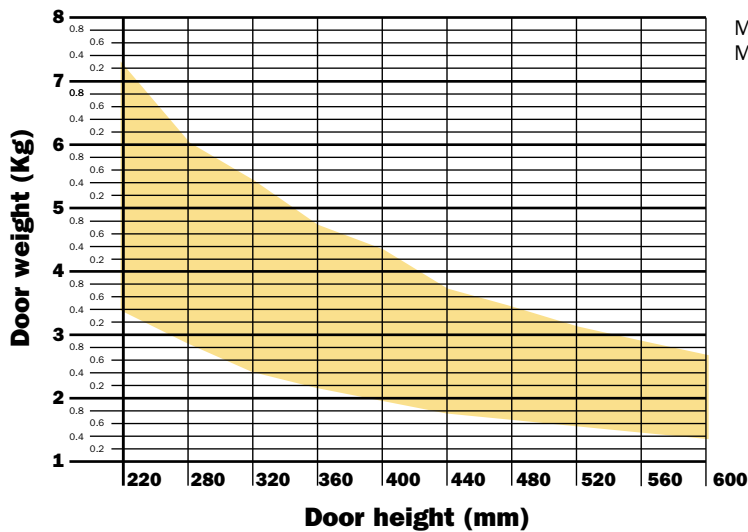
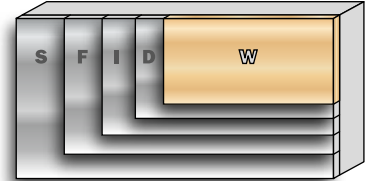
Use the charts to determine the correct lift mechanism based on the door height and the door weight. When calculating the door weight you must include the weight of the decorative hardware. **The maximum door width for two Wind lifts is 1200mm/48".**

Note: Wind can be used on doors that are larger or heavier by adding additional Wind lifts to the cabinet and door. This can be done by installing a center partition and adding additional Wind lifts or by utilizing the Top Mount Brackets with additional Wind lifts.

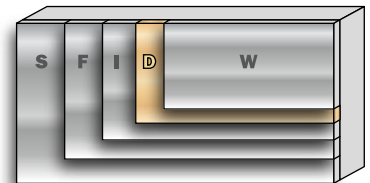
For all applications requiring more than two Wind lifts, check the Wind charts on pages 19 & 20. Please consult with your local sales representative or contact technical service.



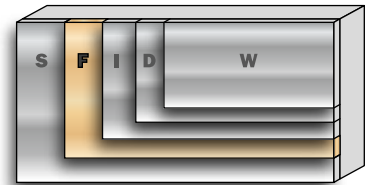
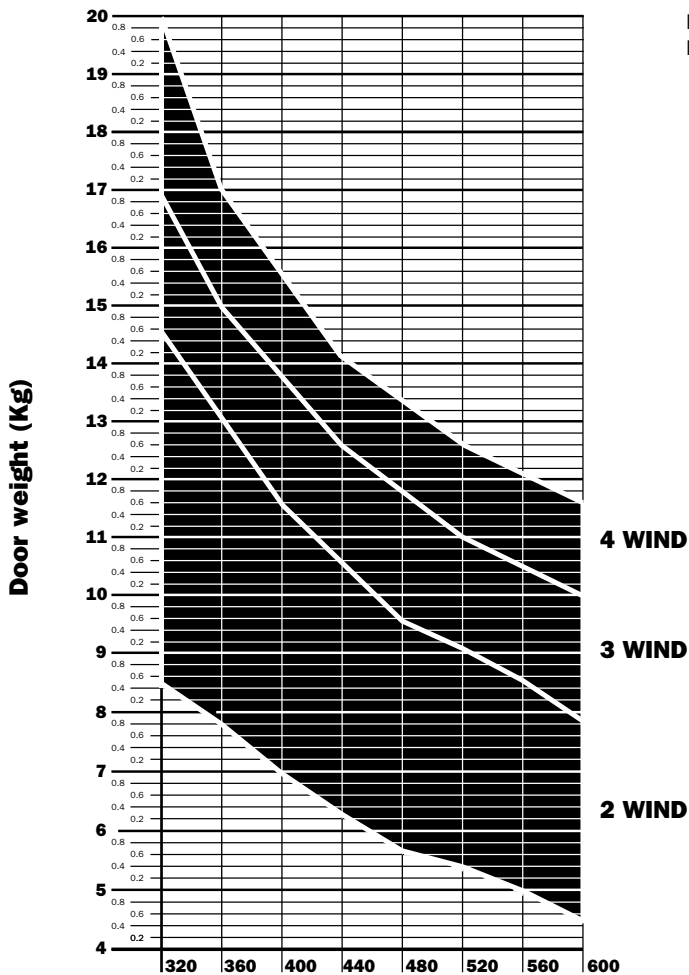
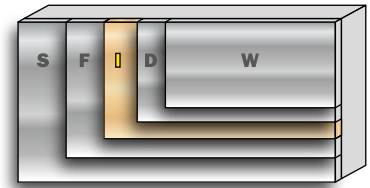
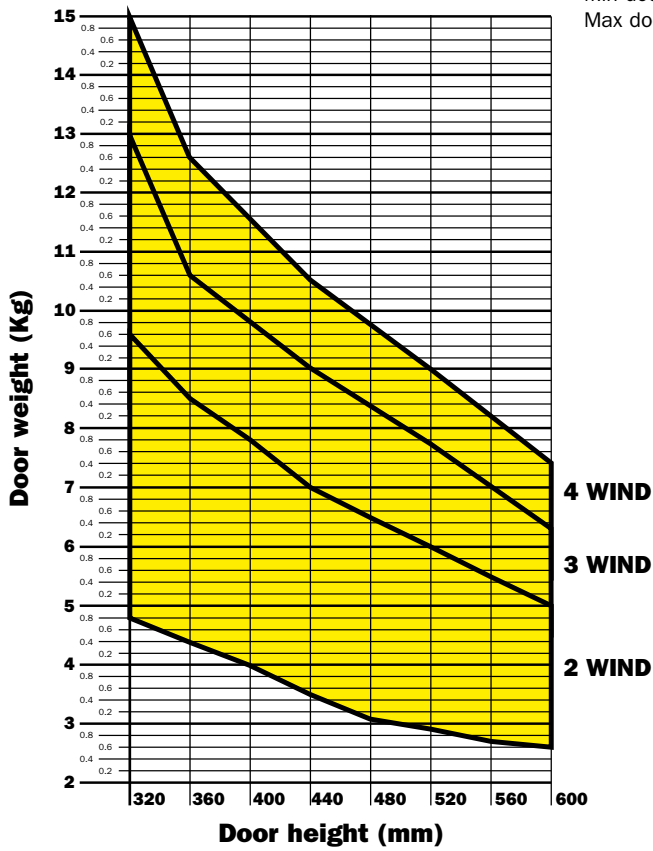
Min door height - 8-5/8"  
Max door height - 15-3/4"



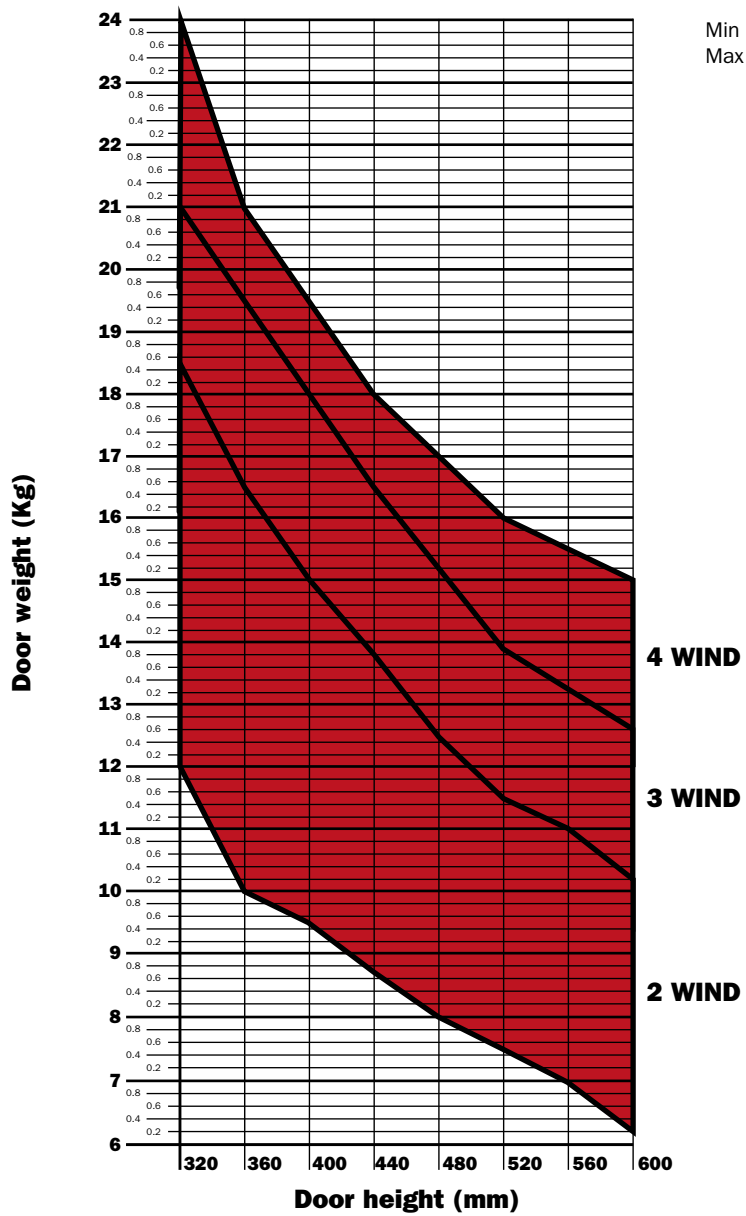
Min door height - 8-5/8"  
Max door height - 24"



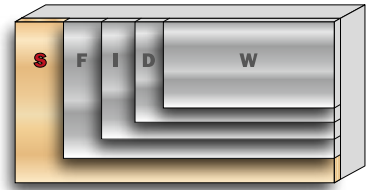
Door height (mm)



# Wind - Charts and Spring force identification



Min door height - 12-9/16"  
Max door height - 24"





# Magnetic Push



# Magnetic Push - Release device and retaining catches

**DPMSNB** - beige



**DPMSNG** - gray



Release device.  
ø 10 mm, 40 mm length.

**Packing**

Box 250 pieces  
Carton 1.500 pieces

**DPASNB** - beige



**DPASNG** - gray



Magnetic device to be used to increase the magnetic holding strength. It must always be used together with the DPM. The suggested position of the DPM is the point of pressure on the door. The DPA can be positioned at any point along the opening edge of the door.  
ø 10 mm, 40 mm length.

**Packing**

Box 250 pieces  
Carton 1.500 pieces

**DP39XXG**



Adjustable magnetic catch. Inserted into the door.  
ø 15 mm

**Packing**

Box 250 pieces

**DP28SN9**



Retaining catch to be inserted with pin.  
ø 11.5 mm surface.

**Packing**

Box 250 pieces

**DP38XX91**



Retaining catch with adhesive.  
20x14 mm surface.

**Packing**

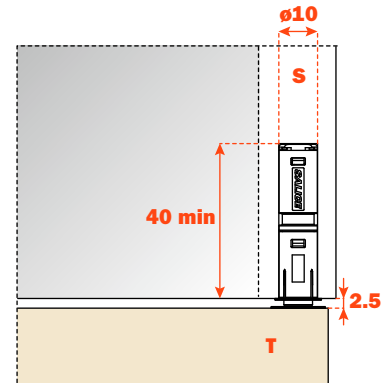
Box 250 pieces

## Release device application

### Release / Magnetic device to be inserted

Drill a hole  $\varnothing$  10 mm and min. 40 mm depth in the top, the side or the bottom panel of the cabinet.

Insert the release device into the hole.

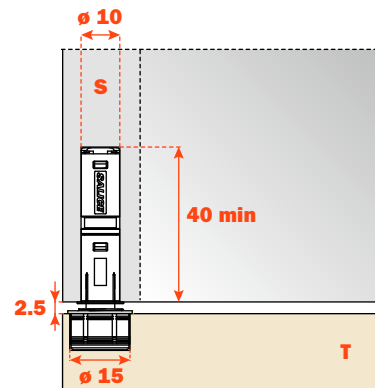


### Adjustable magnetic catch

The adjustable catch DP39 is itself magnetic and together with the magnetism of the release device DPM considerably increases the holding strength (30%) of the door against the cabinet side, thus avoiding accidental opening.

For the installation it is necessary to drill a hole  $\varnothing$ 15 mm and 11 mm depth in the door.

Depth adjustment from +2.5mm / - 0.5mm



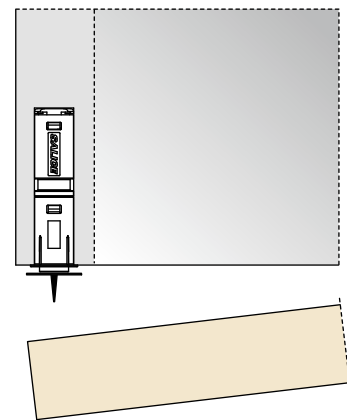
### Retaining catch to be inserted

Apply the retaining catch to the magnetic release device.

Close the door.

The point of the retaining catch will show where to insert it.

Reopen the door and press the retaining catch.



### Retaining catch with adhesive strip

Apply the retaining catch to the magnetic release device. Remove the protective strip from the adhesive. Close the door and the retaining catch is positioned on the door.

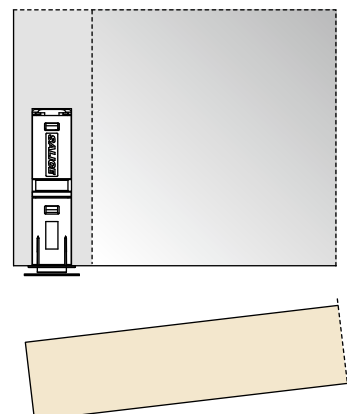
Reopen the door and apply a firm pressure to the retaining catch to ensure a correct installation.

#### ATTENTION:

For a correct application and to ensure optimal endurance, we suggest these guidelines are followed:

- 1 - clean and degrease the door surface where the retaining catch is to be installed;
- 2 - remove the protective strip from the adhesive;
- 3 - place the retaining catch in position, in a place that is at room temperature  $\geq 10^\circ$  ( $50^\circ\text{F}$ ) and apply a firm pressure for 10-15 seconds.

After few seconds from the installation the retaining catch is suitable for the use.  
After 24h the max. hold is attained.

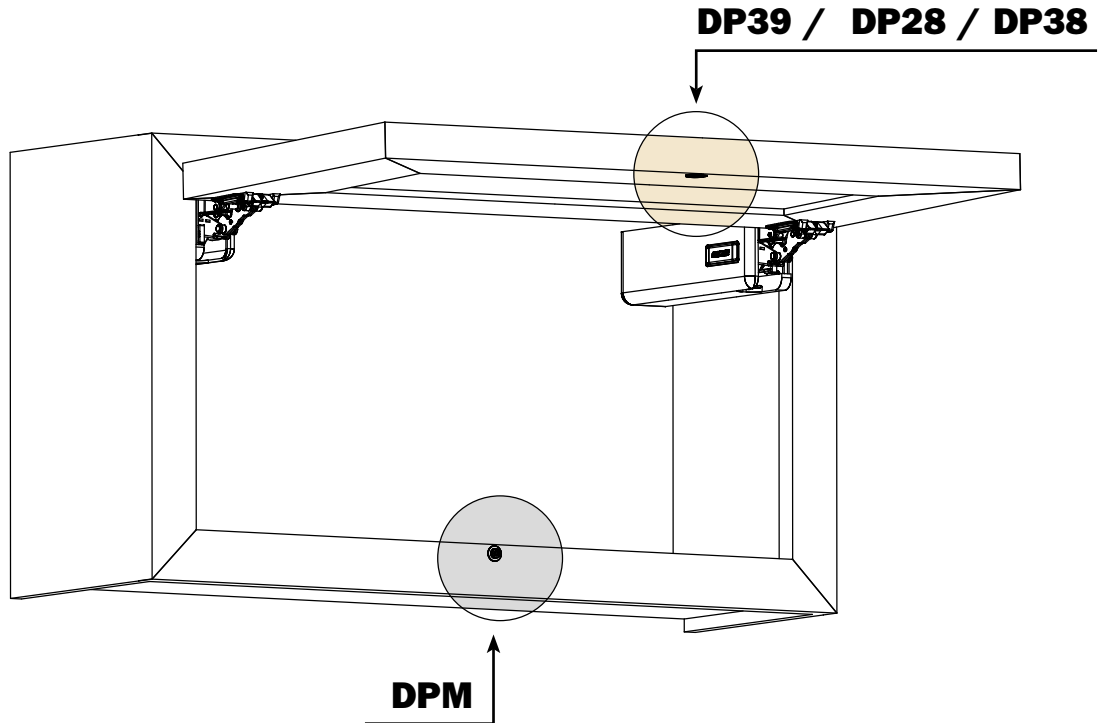


**FRAME**

Where to apply the Push devices

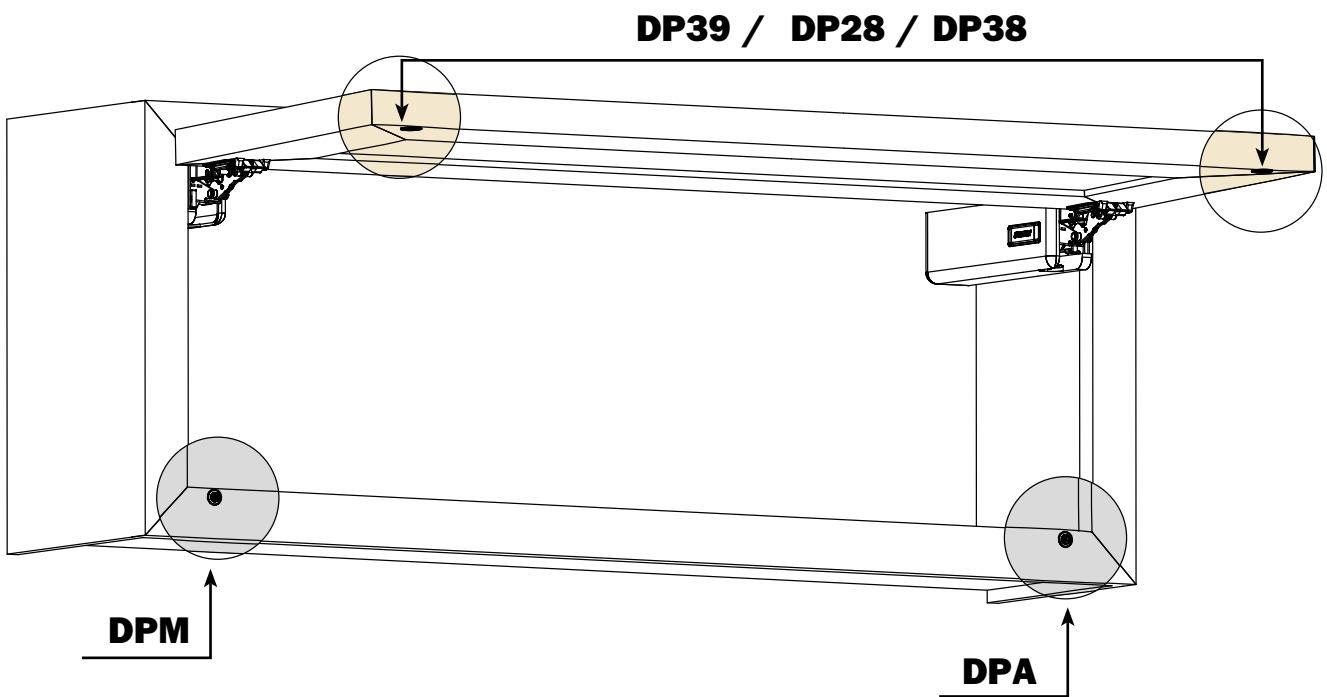
**For cabinet heights 406mm - 610mm (16" - 24")**

**1 Push device**



**For cabinet heights 220mm - 406mm (8-5/8" - 16")**

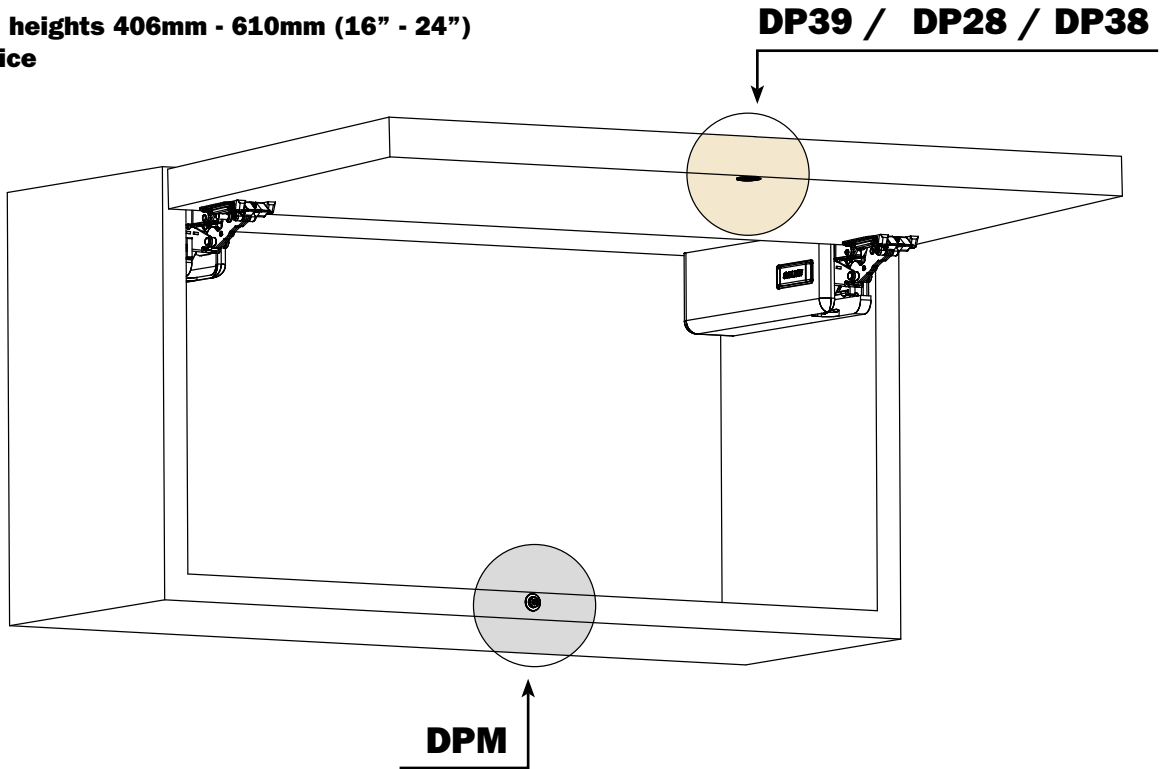
**2 Push devices**



## FRAMELESS

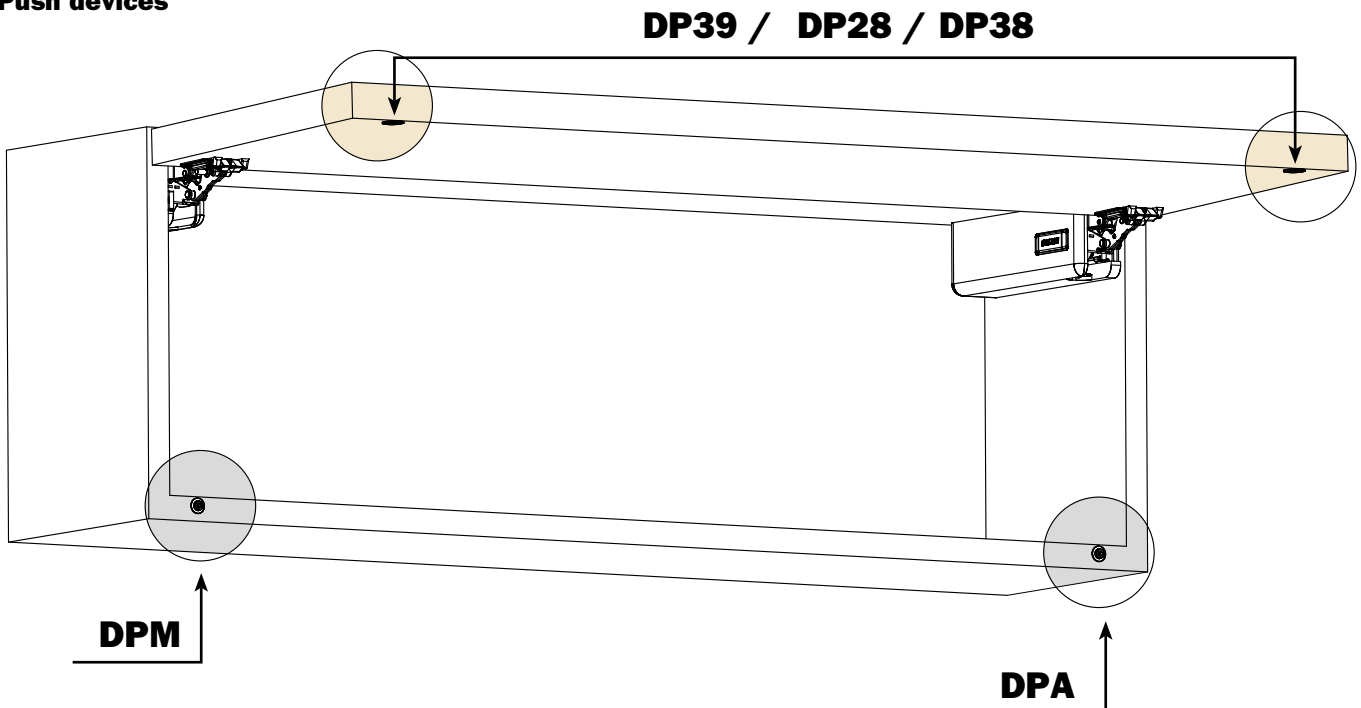
Where to apply the Push devices

For cabinet heights 406mm - 610mm (16" - 24")  
1 Push device



For cabinet heights 220mm - 406mm (8-5/8" - 16")

2 Push devices







## **SALICE AMERICA INC.**

2123 CROWN CENTRE DRIVE  
CHARLOTTE NC. 28227  
TEL. 1-800-222-9652  
704 8417810  
FAX 704 8417808  
info.salice@saliceamerica.com  
www.saliceamerica.com

## **SALICE CANADA INC.**

4025 SLADEVIEW CRESCENT  
UNIT # 7-9  
MISSISSAUGA, ONTARIO L5L 5Y1  
TEL. 905 8208787  
FAX 905 8207226  
info.salice@salicecanada.com  
www.salicecanada.com



### **Digital contents:**

- **Technical pamphlet in Pdf format**
- **Presentation in Pdf format**
- **Video**

**We reserve the right to change the technical specifications.  
Se reserva el derecho de modificar las especificaciones técnicas.**