



The picture shows left hand version

## Technical Information

### An innovative and unique space saving corner unit

The shelves can be pulled-out independently, trays are designed to increase storage surface, height adjustable shaft, easy to install: the mechanism is a patented system and can be easily fixed in on one side of the cabinet, non slip melamine surface, for frame and frameless cabinets, load capacity 44 lbs (20kg) per shelf, minimum door opening 85°, height of the shelf rail 70 mm (2 3/4" ).

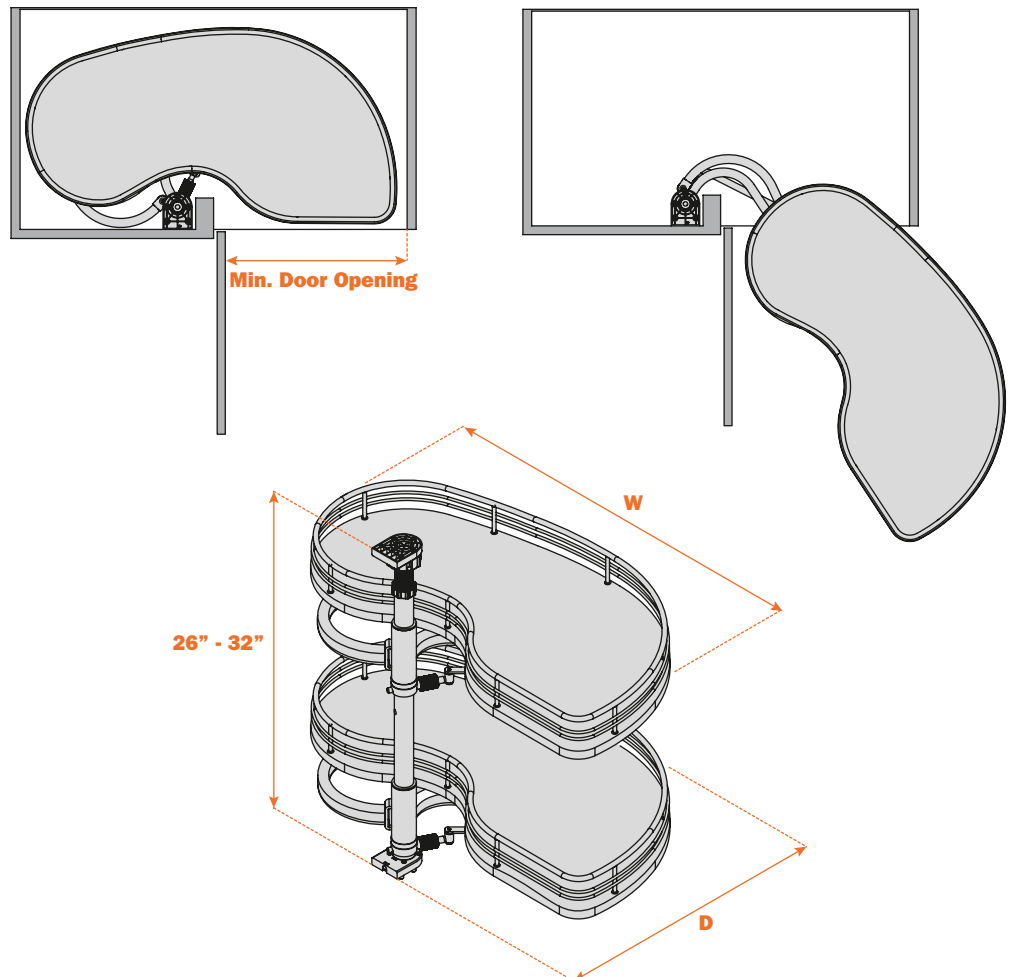
Kit contents: 2 pull-out pivoting shelves; mechanism with height adjustable shaft; assembly instructions and drilling template, extension pipe.

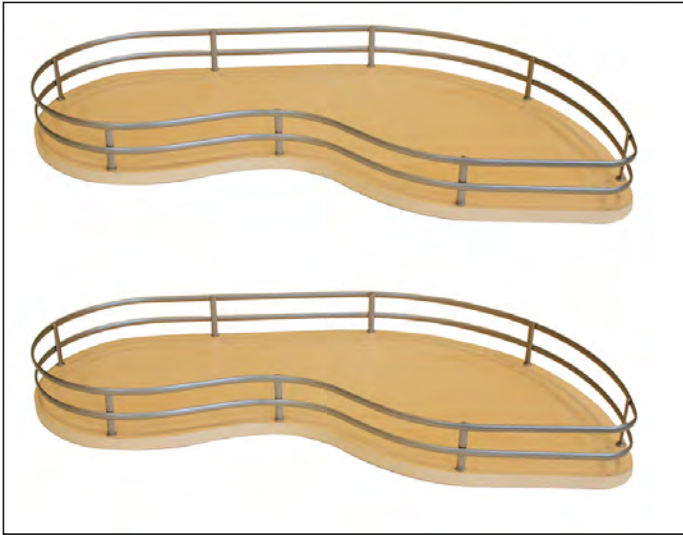


Video assembly instruction

## Technical drawing

The picture shows right hand version

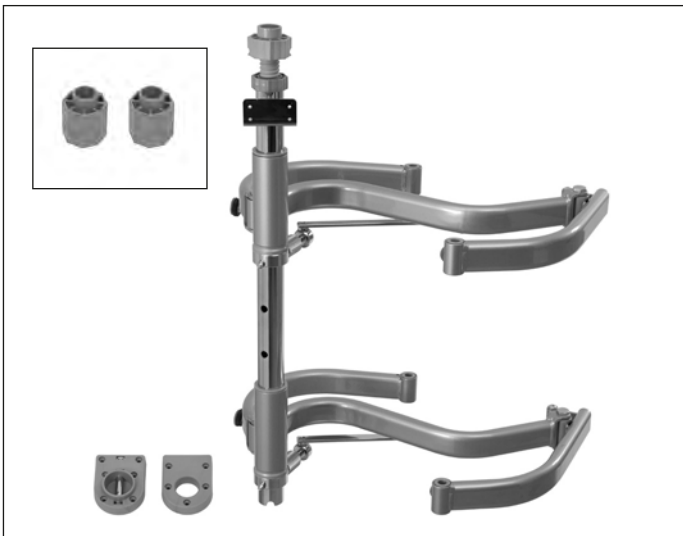




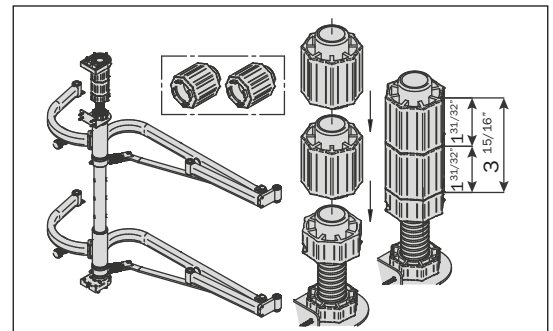
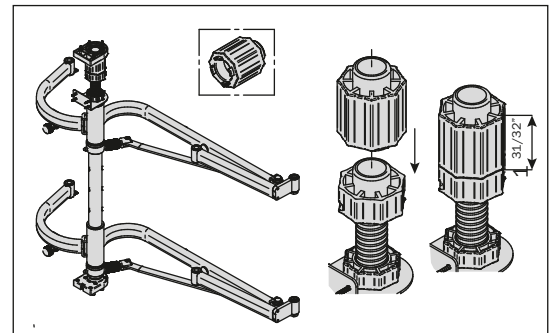
2 pull-out pivoting shelves with non slip bottom. Non reversible.

Code	Version	Min. Door opening	Depth	Width	Height
QFLY40DXM20M	Right	13 <sup>5</sup> / <sub>8</sub> "	16 <sup>1</sup> / <sub>32</sub> "	29"	3 <sup>3</sup> / <sub>8</sub> "
QFLY40SXM20M	Left	13 <sup>5</sup> / <sub>8</sub> "	16 <sup>1</sup> / <sub>32</sub> "	29"	3 <sup>3</sup> / <sub>8</sub> "
QFLY45DXM20M	Right	16"	17 <sup>3</sup> / <sub>8</sub> "	32 <sup>3</sup> / <sub>16</sub> "	3 <sup>3</sup> / <sub>8</sub> "
QFLY45SXM20M	Left	16"	17 <sup>3</sup> / <sub>8</sub> "	32 <sup>3</sup> / <sub>16</sub> "	3 <sup>3</sup> / <sub>8</sub> "
QFLY60DXM20M	Right	21"	18 <sup>3</sup> / <sub>4</sub> "	38 <sup>7</sup> / <sub>16</sub> "	3 <sup>3</sup> / <sub>8</sub> "
QFLY60SXM20M	Left	21"	18 <sup>3</sup> / <sub>4</sub> "	38 <sup>7</sup> / <sub>16</sub> "	3 <sup>3</sup> / <sub>8</sub> "

VCH C



Corner mechanism suitable for 13 <sup>5</sup>/<sub>8</sub>" - 16" - 21" minimum door opening. Height adjustable 26"-32". Non reversible. Extension kit included as showed in the below picture



Code	Version	Min. Door opening	Height
QFLYAST2DX	Right	13 <sup>5</sup> / <sub>8</sub> "	26" - 32"
QFLYAST2SX	Left	13 <sup>5</sup> / <sub>8</sub> "	26" - 32"
QFLYAST2DX	Right	16"	26" - 32"
QFLYAST2SX	Left	16"	26" - 32"
QFLYAST602DX	Right	21"	26" - 32"
QFLYAST602SX	Left	21"	26" - 32"

VCH VG