



Premiere

Closet Accessories



Installation Instructions

We hope you enjoy your new closet accessories from Rev-A-Shelf. We pride ourselves in providing the best quality, service, and innovation in the industry. If you have any questions about our products, feel free to call our Customer Service Specialist at 800-626-1126.



2409 Plantside Drive
Jeffersontown, KY 40299
502-499-5835 • 502-491-2215 FAX
800-626-1126
www.rev-a-shelf.com



Part # CRC-36CR

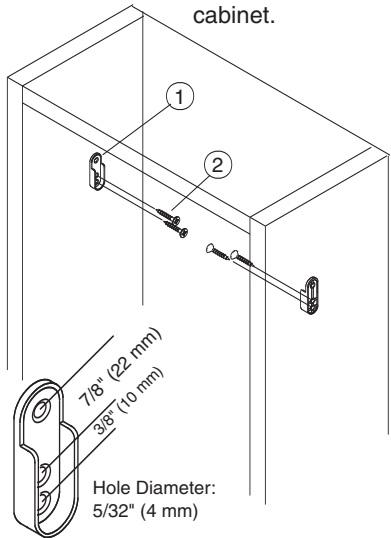
36" Chrome Closed Rod
Installation

No.	Quantity	Description
①	2 pcs	Rod Holder
②	4 pcs	Wood screws
③	1 pc	Rod

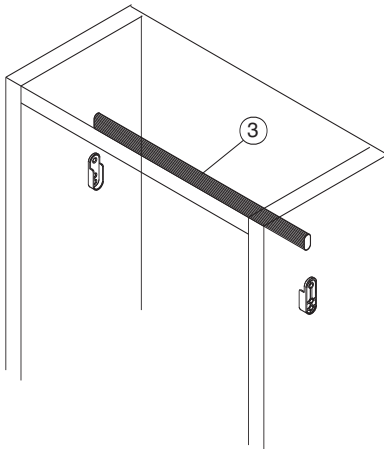
Notes:

1. Avoid using acid or corrosive cleaner to wipe the product.

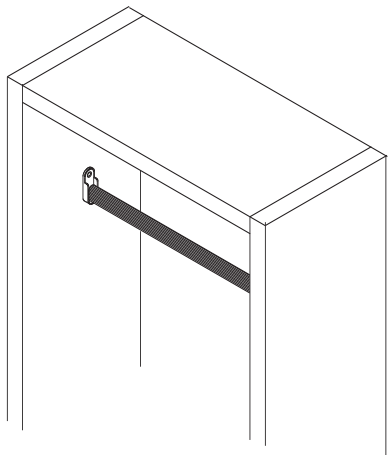
1. Mount the rod holder to the side of the cabinet.



2. Put the rod into the rod holder.



3. Your installation is complete.



NOTE: If distance is less than 36", measure opening and cut rod to desired length.



Part # TRC-14CR

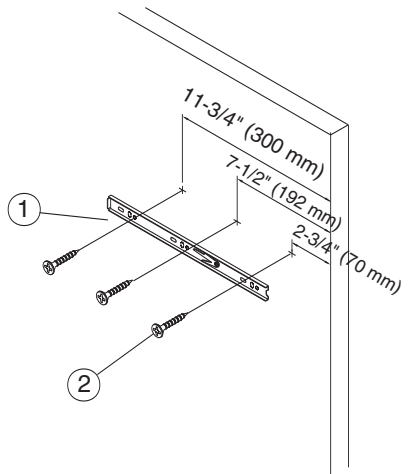
Tie Rack Installation

No.	Quantity	Description
①	1 set	Slides
②	3 pcs	Wood screws
③	1 set	Tie Rack

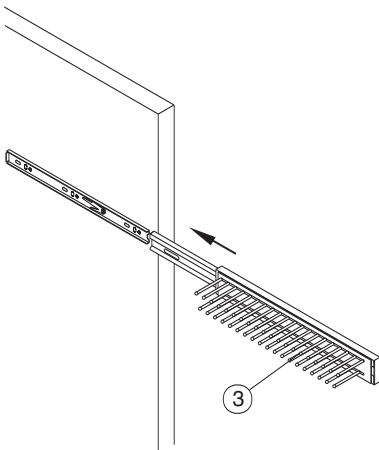
Notes:

1. Pay attention to the direction of slide member to avoid the mistake of assembly.
2. The minimum required depth of the cabinet is 14" (356 mm).
3. Avoid using acid or corrosive cleaner to wipe the product.

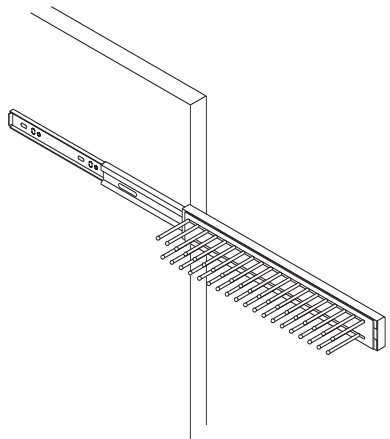
1. According to the dimension, mount the slide member to the side of cabinet.



2. Connect Tie Rack with the slide.



3. Your installation is complete.





Part # SRC-20CR

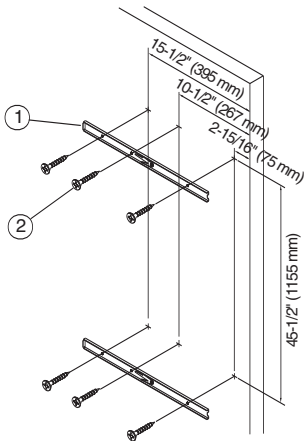
Shoe/Basket Rack Installation

No.	Quantity	Description
①	1 set	Slides
②	6 pcs	Wood screws
③	1 set	Frame and 4 baskets

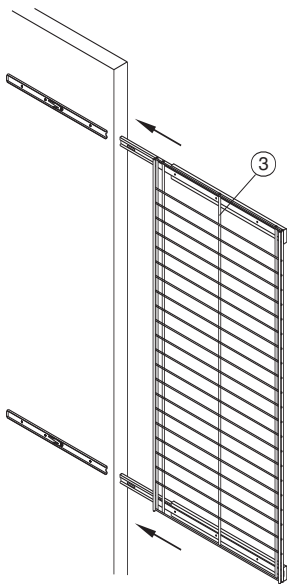
Notes:

1. Pay attention to the direction of slide member to avoid the mistake of assembly.
2. The minimum required depth of the cabinet is 19-3/4" (502 mm).
3. Avoid using acid or corrosive cleaner to wipe the product.

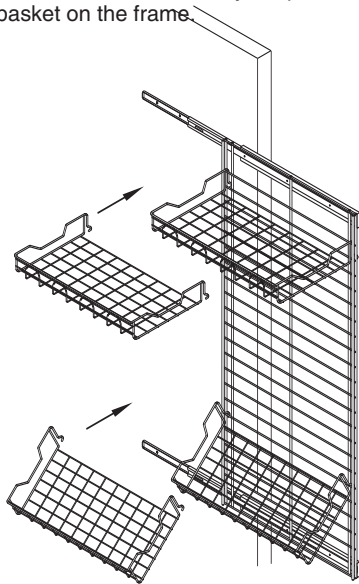
1. According to the dimension, mount the slides to the left or right side of the cabinet.



2. Connect frame with the slides.



3. Note there are two ways to put the basket on the frame.





Part # CWB Series

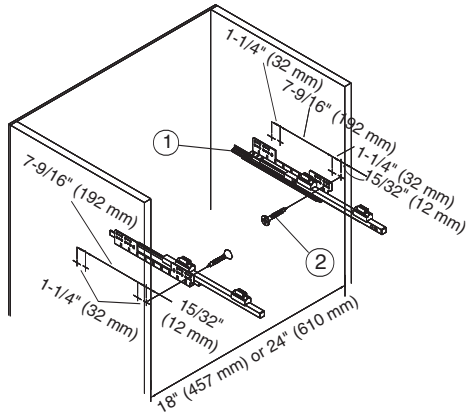
Chrome Basket Installation

No.	Quantity	Description
①	1 set	Slides
②	8 pcs	Wood screws
③	1 set	Basket

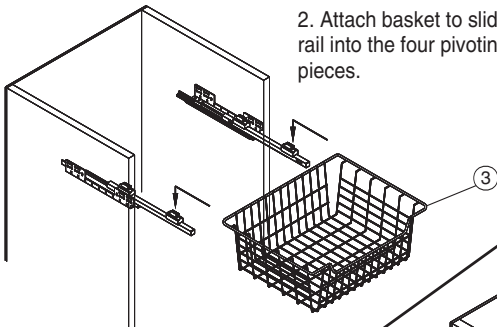
Notes:

1. Pay attention to the direction of slide member to avoid the mistake of assembly.
2. The minimum required depth of the cabinet is 14" (356 mm) for CWB-***14**** and 20" (508 mm) for CWB-***20**CR.
3. Avoid using acid or corrosive cleaner to wipe the product.

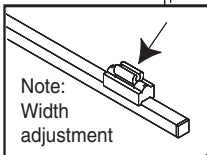
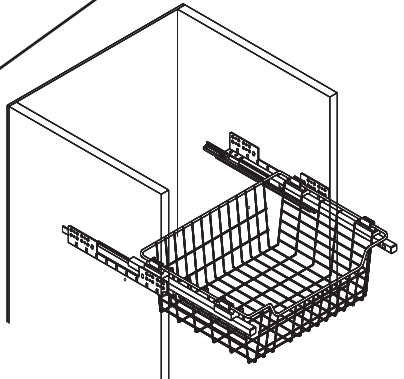
1. According to the dimension, mount the slides to the side of cabinet.



2. Attach basket to slides by press fitting the top rail into the four pivoting polymer width adjustment pieces.



3. Your installation is complete.





Part # TBC-14TCR

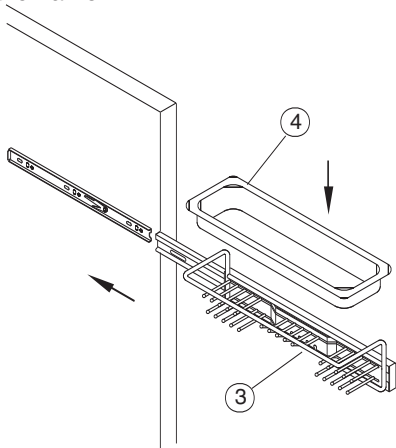
Tie Belt Combo Rack Installation

No.	Quantity	Description
①	1 set	Slides
②	3 pcs	Wood screws
③	1 set	Tie Belt Combo Rack
④	1 pc	Top Tray

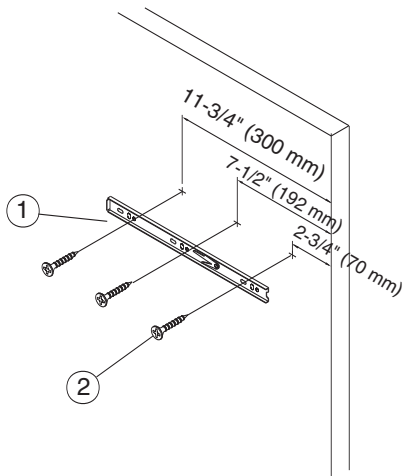
Notes:

1. Pay attention to the direction of slide member to avoid the mistake of assembly.
2. The minimum required depth of the cabinet is 14" (356 mm).
3. Avoid using acid or corrosive cleaner to wipe the product.

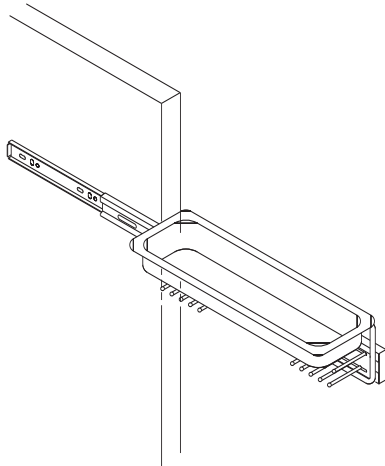
2. Connect Tie Belt Combo Rack with the slide then place the Top Tray on the frame.



1. According to the dimension, mount the slides to the side of cabinet.



3. Your installation is complete.





Part # PSC Series

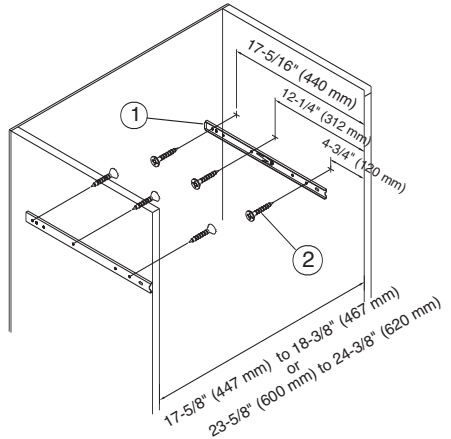
Pull-out Pants Rack Installation

No.	Quantity	Description
①	1 set	Slides
②	6 pcs	Wood screws
③	1 set	Pants Rack

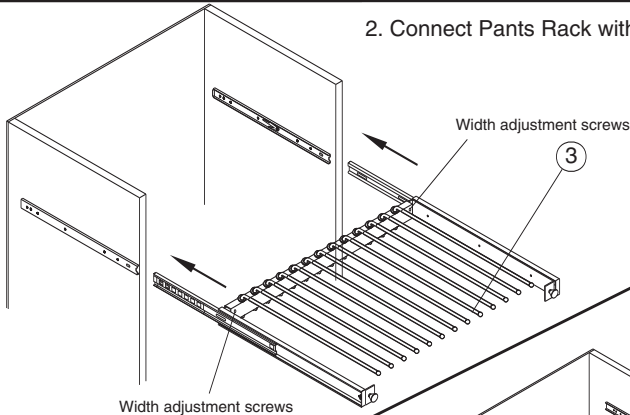
Notes:

1. Pay attention to the direction of slide member to avoid the mistake of assembly.
2. The minimum required depth of the cabinet is 18" (457 mm).
3. Avoid using acid or corrosive cleaner to wipe the product.

1. According to the dimension, mount the slides to the side of cabinet.

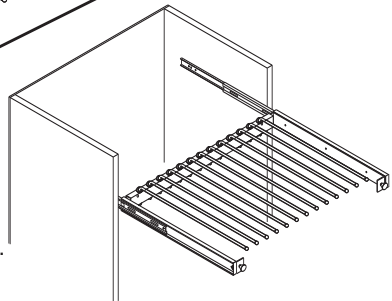


2. Connect Pants Rack with the slides.



Note: PSC-24CR contains 13 pivoting fingers
PSC-18CR contains 9.

3. Press fit pivoting fingers. Adjust level by slightly bending.
4. Your installation is complete.





Part # PRC-18CR

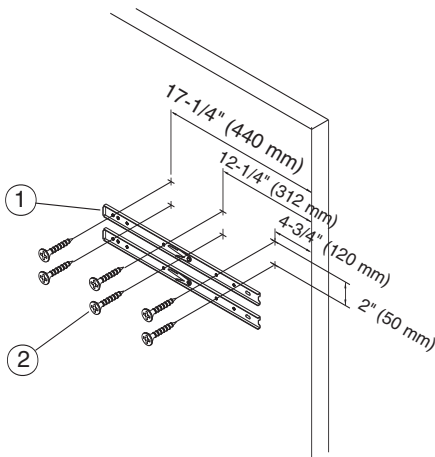
Pull-out Pants Rack Installation

No.	Quantity	Description
①	1 set	Slides
②	6 pcs	Wood screws
③	1 set	Trouser holders

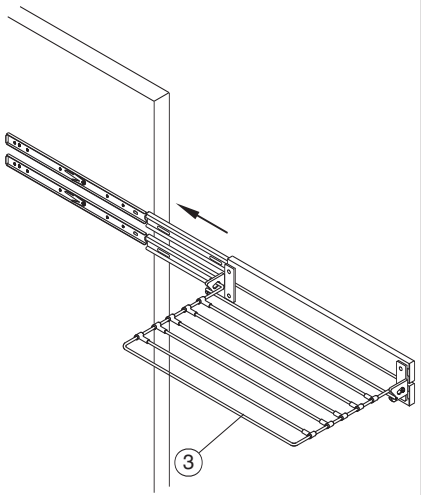
Notes:

1. Pay attention to the direction of slide members to avoid the mistake of assembly.
2. The minimum required depth of the cabinet is 18" (457 mm).
3. Avoid using acid or corrosive cleaner to wipe the product.

1. According to the dimension, mount the slide members to the side of cabinet.



2. Connect pants rack to the slides.



3. Your installation is complete.

