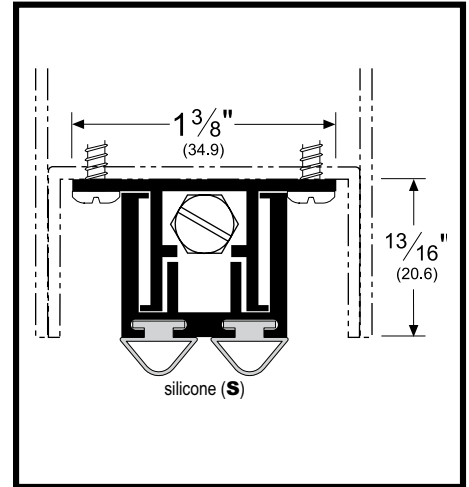


**DOOR BOTTOM**

*Automatic, Non-Handed, Reversible*



**About Door Bottom Seals:**

Pemko Door Bottom Seals consist of a variety of solutions for sealing a door to the threshold or floor surface.

**About Automatic Door Bottoms:**

Pemko automatic door bottoms consist of an aluminum case which surrounds a movable drop bar seal. The drop bar seal is actuated by a plunger which contacts the jamb as the door is closing, forcing the drop bar seal down against the floor or threshold.

- Low closing force.
- Provide excellent seals to keep out draft, dust, moisture, insects, fumes, light and sound.
- End plates provided for all mounting applications.
- Slotted holes for adjustment.



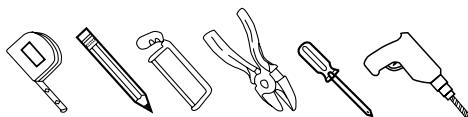
**Product / Available Finishes:**

420ASL Mill Finish Aluminum with Black Silicone insert

**Testing/Ratings:**



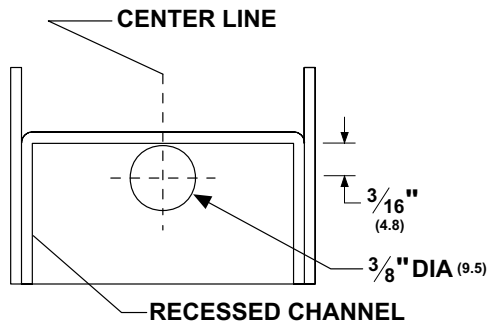
**Tools Required:**



## Installation Instructions:

1. Cut mortise in bottom of door.

**NOTE:** If a door is fire labeled or of special construction, mortise preparation must be done by the door manufacturer. The Pemko 420 requires a 3/8" diameter hole drilled through the hinge edge of the hollow metal door at the location shown below.



**HOLE LOCATION FOR No. 420  
DRILL THROUGH HINGE EDGE**

2. Cut from end opposite actuating plunger only.
3. DO NOT cut off more than two (2) inches.
4. When cutting, be sure that the drop bar is flush with the case on the plunger side and that the gasketing insert projects at least 1/8".
5. Cut to door width, adjust gasket so that it projects at least 1/16" at each end.
6. Adjust and trim the gasketing insert so that it projects at least 1/16" at each end of the drop bar and case.
7. With door removed from opening, install the door bottom with plunger at the hinge side, fasten with screws provided, install door in opening.
8. On wooden jambs, install the No. 10 x 1/2" flat head screw at the point where the plunger contacts the jamb to prevent indenting.
9. Screw the actuating plunger in or out as required until the gasketing just touches the sealing surface when the door is closed.
10. It is not necessary to squash the gasket to provide an effective seal. Further adjustment may be necessary for uneven sealing surfaces.