

Medium-Duty

75 lb. Load Class

Max. Drawer Material (MuV+): 5/8"

Max. Drawer Material (MuV+34): 3/4"



MuV+ & MuV+34 Soft-Closing Undermount Drawer Slides

- Redesigned pivoting latch increases sound dampening for a quieter close
- Updated soft-close module allows pull-force adjustment to maintain smooth operation
- Three new release levers allow adjustments on installed drawers
- Bottom mounting holes for flat-surface mounting

Applications

- Wood residential and commercial furniture
- Drawers requiring concealed slides or soft-close feature

Specifications

Model: MuV+ Full Extension Soft-Close Undermount Drawer Slide

MuV+34 Full Extension Soft-Close Undermount Drawer Slide

Drawer Material Thickness: MuV+: 1/2" to 5/8", MuV+34: 5/8" to 3/4"

Module: Soft-Close

Mounting: Undermount

Disconnect: Lever Release

Hole Pattern: 32mm

Face-Frame Mounting: Yes

Type: Roller Bearing

Travel: Full Extension

Finish: Zinc

Length: 9", 10", 12", 14", 15", 16", 18", 20", 21", 22"

Height: 1.87" [47.6mm]

Release Levers: MUV1D-RL: Up/Down Height Adjustment. 60 pair per carton

MUV2D-RL: Up/Down Height, Side-to-Side Adjustment. 24 pair per carton

MUV3D-RL: Up/Down Height, Side-to-Side, Inset Adjustment. 12 pair per carton

Action: Telescopic

Slide Configuration: Handed

Packaging: Bulk Pack: 6 pair per carton - 14", 15", 16", 18", 20", 21" and 22"

Bulk Pack: 4 pair per carton - 9", 10" and 12"

Rating

Load: 75 lb.

Max. Drawer Width: Drawer height \leq 6": slide length + 10"

Drawer height > 6": slide length + 10" or 28" (whichever is less)

Drawer height > 8": slide length + 10" or 24" (whichever is less)

Drawer height > 10": slide length + 10" or 21" (whichever is less)

As with all Knap & Vogt drawer slides, the MuV+ and MuV+34 are designed to meet or exceed ANSI performance standards as established by BIFMA, BHMA and KCMA.

Accessories

MUV-RBM: Rear Mounting Bracket (metal) for lengths 14" and longer

MUV-RBP: Rear Mounting Bracket (plastic) for 9", 10" and 12"

MUV-124: Drilling Jig

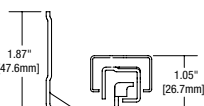
Hardware

MUV-122 #7 X 5/8" Phillips Flathead (Slide), MUV-123 #6 X 1/2" Phillips Flathead (Release Lever)

Warranty

Limited Lifetime Warranty

Profile



Material Thickness

MuV+: 1/2" to 5/8"

MuV+34: 5/8" to 3/4"

Release Levers



MUV1D-RL



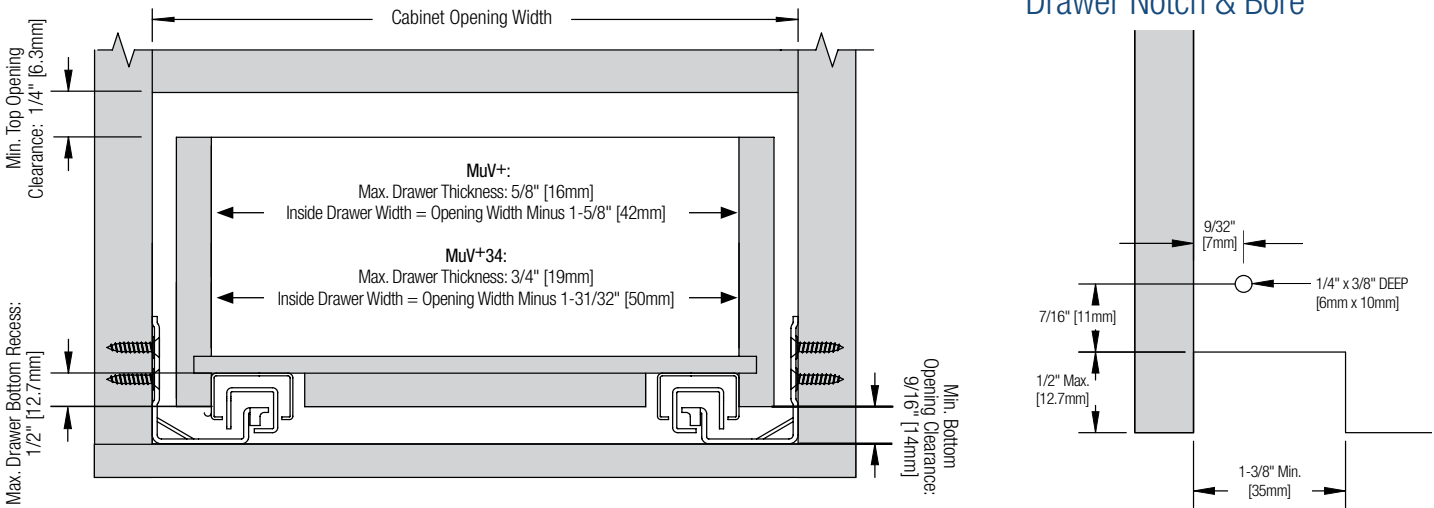
MUV2D-RL



MUV3D-RL

Technical Information

Installation

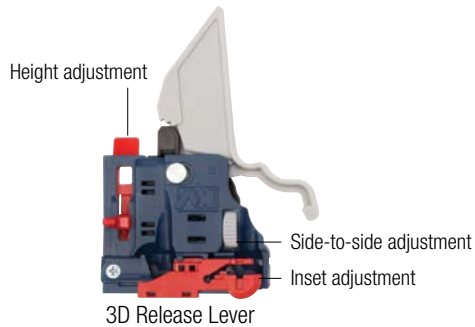


Drawer Width Calculation

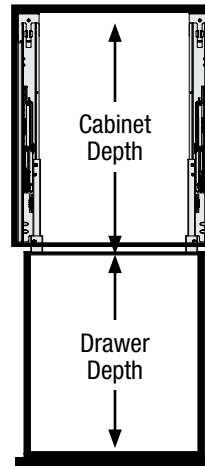
Drawer Thickness	Deduct from Opening Width	
	MuV+	MuV+34
3/4" [19mm]	-	15/32" [12mm]
11/16" [17.5mm]	-	19/32" [15mm]
5/8" [16mm]	3/8" [10mm]	23/32" [18mm]
9/16" [14mm]	9/16" [14mm]	-
1/2" [13mm]	5/8" [16mm]	-

Release Lever Adjustment

Part Number	Height	Side-to-Side	In/Out
MUV1D-RL	+ 1/8" [3mm]	-	-
MUV2D-RL	+ 1/8" [3mm]	± 1/16" [1.5mm]	-
MUV3D-RL	+ 1/8" [3mm]	± 1/16" [1.5mm]	+ 3/32" [2.5mm]



Drawer Depth Chart



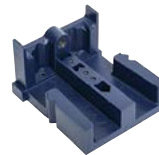
Cabinet Depth	Competitor Slide Length	MuV+ Slide Length	Drawer Depth Gain
12"	9"	9"	-
12"	-	10"	+1"
15"	12"	12"	-
15"	-	14"	+2"
18"	15"	15"	-
18"	-	16"	+1"
21"	18"	18"	-
21"	-	20"	+2"
24"	21"	21"	-
24"	-	22"	+1"

Accessories



Note: MuV+HD and MuV+34HD Face-Frame applications must be blocked out.

MUV-124
Slide Drill Jig
Works with all MuV+ Undermount slides
Carton Qty: 1



KNAPE & VOGT

2700 Oak Industrial Dr. NE
Grand Rapids, MI 49505-6026 USA
1.800.253.1561 | 616.459.3311
Fax: 877.636.3290
www.kv.com

This and other KV literature is available for download at www.kv.com > Resource Library

Knappe & Vogt reserves the right to change product specifications at any time without notice and without incurring responsibility for existing units.
©2017 Knappe & Vogt. KV and the KV logo are trademarks of Knappe & Vogt.

0L2957/0117