



www.johnsonhardware.com

INSTRUCTIONS

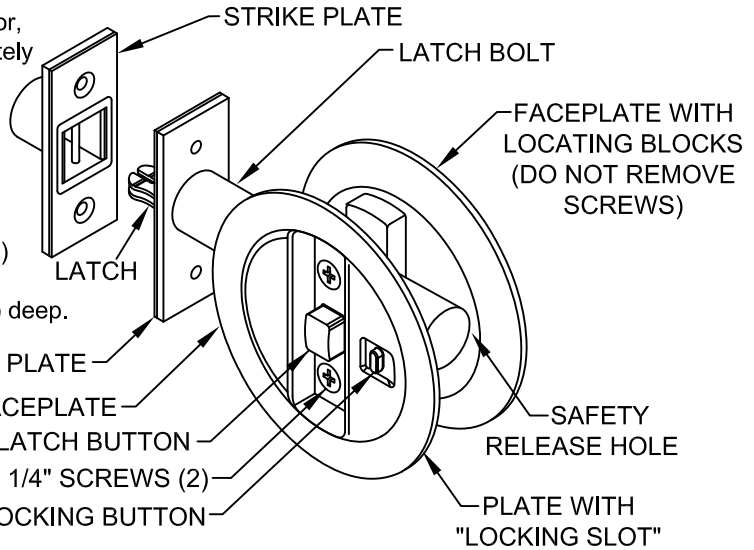
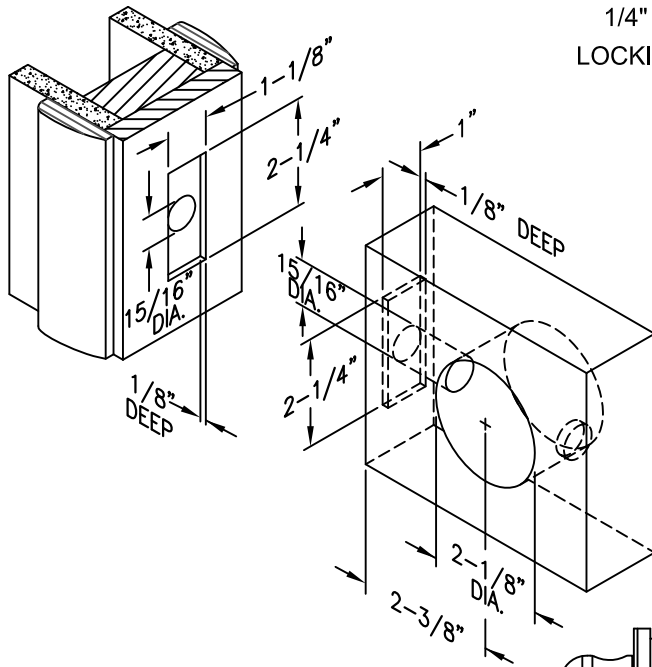
POCKET DOOR PRIVACY LOCK 1521 SERIES for 1-3/8" (35mm) THICK DOORS

IMPORTANT: DO NOT REMOVE SCREWS FROM LOCATING BLOCKS ON PLATE

1 MARK DOOR for 2-1/8" (54mm) bore on face of door, and 15/16" (24mm) bore on edge of door approximately 36" (914mm) above floor. **NOTE: LOCK WILL FIT AND FUNCTION PROPERLY IN EITHER A 15/16" (24mm) OR 1" (25.4mm) BORE FOR LATCH BOLT.**

2 BORE HOLES 2-1/8" (54mm) hole in door face. (boring from both sides of door to prevent splitting). Bore 15/16" (24mm) hole in door edge 3-5/8" (92mm) deep. (Make sure 15/16" (24mm) mark is on center of door edge). Mark and mortise for latch 1/8" (3mm) deep.

3 REMOVE STRIKER plate from lock by depressing latch release.



4 INSTALL LOCK. Install latch bolt by depressing nylon locking button on bolt to clear 15/16" (24mm) hole, **DO NOT TWIST LOCK WHILE INSERTING IN TO 15/16" (24mm) BORE.** Be sure that locking button is on the locking side desired.

A/ Place plate with lock spacer blocks opposite lock button side into 2-1/8" (54mm) bore. Be sure that the "Safety Release Hole" is toward the rear of door away from latch. Place other face plate, with lock button slot, on lock button side and secure with 1/4" (6.4mm) screws provided.

B/ Fasten latch plate in mortise with 3/4" (19mm) screws provided.

5 INSTALL STRIKER. Slide pocket door closed, hitting jamb to mark location. Drill 15/16" (24mm) hole 1" (25.4mm) deep in center of marks made by latch. Place strike plate in 15/16" (24mm) hole, making sure plate is plumb with jamb, then mark and mortise, 1/8" (3mm) deep. Secure with 3/4" (19mm) screws provided.

