

Shower Bench

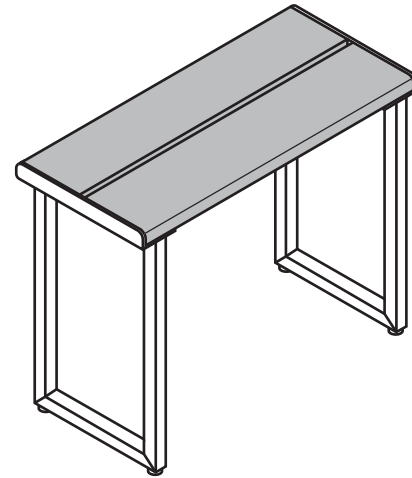
For Shower Safety

INVISIA
LIVE BEAUTIFULLY

Technical Data Sheet

Product Specification

The Invisia Shower Bench is a high quality, commercial grade shower seat. The Invisia Shower Bench is intended to provide shower seating support for people with reduced mobility. The maximum user weight for this product is 500lbs / 227kgs. Note: Product is not intended to support full body weight (i.e. do not stand on the bench). The Invisia Shower Bench is not to be used in any other way than described above.



Key Features

- Bamboo Seat
- Removable when not in use
- Flat pack shipping
- Non-marking rubber feet
- 500lbs / 227kg Weight Capacity

Codes and Standards

- ADA 610.4 Structural Strength

Specified Model

Model	AA - Length	BB - Bamboo Stain	CCC - Frame Finish	Frame Material
INV-WSSB-AA-BBB-CCC	24	ASH (Ash) WNT (Walnut)	BLK (Matte Black) BN (Brushed Nickel) CRP (Triple Chrome Plate) ORB (Oil Rubbed Bronze) PCG (Powder Coat Grey)	#304 Stainless Steel

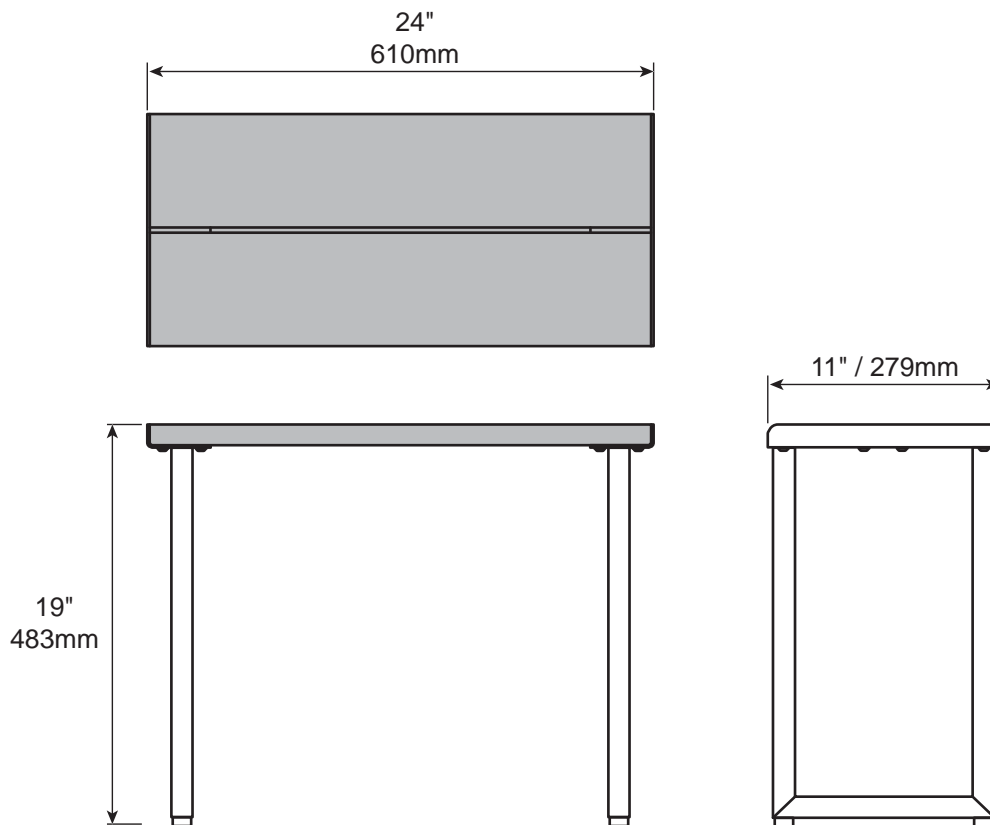
Shower Bench

For Shower Safety

INVISIA
LIVE BEAUTIFULLY

Technical Data Sheet

Product Dimensions



Shipping Dimensions

Model	Height (H)	Width (W)	Depth (D)	Weight
WSSB	5.25" / 13.33cm	25.50" / 64.8cm	11.5" / 29.2cm	16.5lbs / 7.5kg

