



INVISIA  
LIVE BEAUTIFULLY



SAFETY YOU'LL NOTICE, BUT NOT SEE.



# BEAUTIFUL PEACE OF MIND

Our Design Approach .....	2
Our Commitment.....	2
Accent Ring .....	3
Corner Shelf.....	4
Towel Bar.....	5
Soap Dish .....	6
Toilet Roll Holder .....	7
Shampoo Shelf .....	8
Accent Bar.....	9
SerenaSeat .....	10
Bath Bench.....	11
Corner Seat .....	12

## OUR DESIGN APPROACH

AT INVISIA, WE BELIEVE THE BATHROOM SHOULD BE A BEAUTIFUL, PEACEFUL, AND CALMING PLACE. A PLACE WHERE YOU CAN RELAX AFTER A LONG DAY AND FORGET ABOUT YOUR WORRIES. WE ALSO BELIEVE THAT THE BATHROOM SHOULD BE A SAFE PLACE.

EVERYTHING WE DESIGN AND MANUFACTURE IS INSPIRED BY THE IDEA THAT STYLE AND SAFETY ARE NOT MUTUALLY EXCLUSIVE. SOMETHING THAT'S ELEGANT CAN ALSO BE FUNCTIONAL. SOMETHING THAT'S BEAUTIFUL CAN ALSO PROVIDE SECURITY. SOMETHING STUNNING CAN BE SAFE.

INVISIA PRODUCTS GET NOTICED. MOST PEOPLE JUST DON'T REALIZE HOW SAFE THEY ARE.

## OUR COMMITMENT

We think that people shouldn't have to choose between a beautiful bathroom and a safe bathroom. That's why we're committed to designing and manufacturing bathroom accessories that blend style and safety. So you can have peace of mind without sacrificing your design aesthetic.

## ACCENT RING

A beautiful addition to any bathroom, the Accent Ring elegantly frames your shower valve while providing unparalleled support.



SUPPORTS UP TO 500LBS



DISCREET WALL STEMS WITH CONCEALED SCREWS

Makes mounting areas virtually invisible



MULTI-CONTACT WALL SUPPORT

4 points of contact for maximum structural support

### Stainless Steel Finishes

INV-ACR-CP  
Chrome



INV-ACR-BS  
Brushed



INV-ACR-ORB  
Bronze

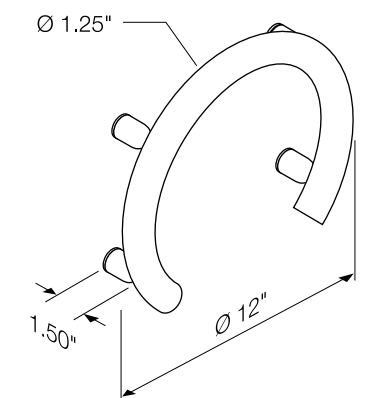


### ADA Compliant

- Rail Diameter (1.25")
- Wall Clearance (1.50")

Exceeds ADA 4.26.3 structural strength requirements for grab bars and fasteners (250lbs)

### Product Dimensions



## CORNER SHELF

You can never have too much shelf space in the shower, especially when it looks this good. The Corner Shelf incorporates a solid support bar for added assistance. It also features a removable tray for easy cleaning.



**500** SUPPORTS UP TO 500LBS



**PLASTIC CAPS CONCEAL MOUNTING SCREWS**  
Makes mounting areas virtually invisible



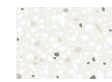
**MULTI-CONTACT WALL SUPPORT**  
4 points of contact for maximum structural support

### Stainless Steel Finishes

INV-CS-CP Chrome    INV-CS-BS Brushed    INV-CS-ORB Bronze



### Tray Surface



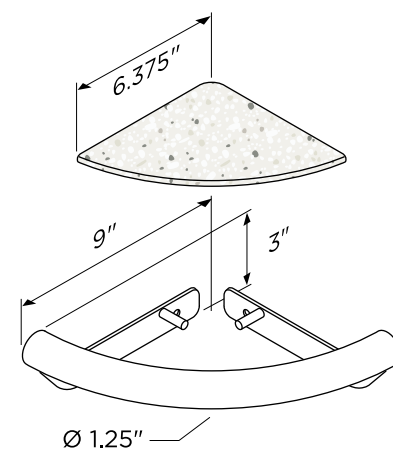
Solid surface is nonporous, and resists the growth of mold and bacteria.

### ADA Compliant

- Rail Diameter (1.25")

Exceeds ADA 4.26.3 structural strength requirements for grab bars and fasteners (250lbs)

### Product Dimensions



## TOWEL BAR

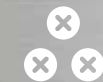
The sleek Towel Bar gives any bathroom a modern look while providing a secure bar to hold onto when drying off.



**500** SUPPORTS UP TO 500LBS



**DISCREET WALL STEMS WITH CONCEALED SCREWS**  
Makes mounting areas virtually invisible



**MULTI-CONTACT WALL SUPPORT**  
3 points of contact for maximum structural support

**WIDTHS**  
16" and 24"

### Stainless Steel Finishes

INV-TBXX-CP Chrome    INV-TBXX-BS Brushed    INV-TBXX-ORB Bronze



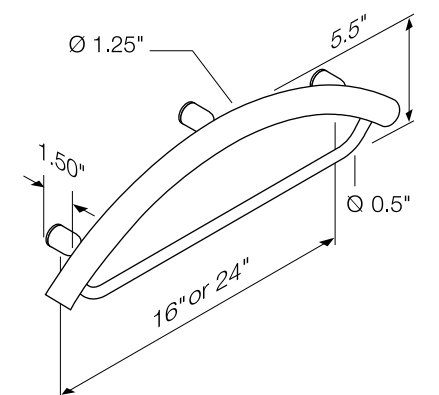
(XX = 16 and 24)

### ADA Compliant

- Rail Diameter (1.25")
- Wall Clearance (1.50")

Exceeds ADA 4.26.3 structural strength requirements for grab bars and fasteners (250lbs)

### Product Dimensions



## SOAP DISH

The perfect place to store your soap also offers just the right amount of assistance. It also features a removable soap tray for easy cleaning.



**500** SUPPORTS UP TO 500LBS

**DISCREET WALL STEMS WITH CONCEALED SCREWS**  
Makes mounting areas virtually invisible

**MULTI-CONTACT WALL SUPPORT**  
3 points of contact for maximum structural support

### Stainless Steel Finishes

INV-SD-CP Chrome    INV-SD-BS Brushed    INV-SD-ORB Bronze



### Tray Surface



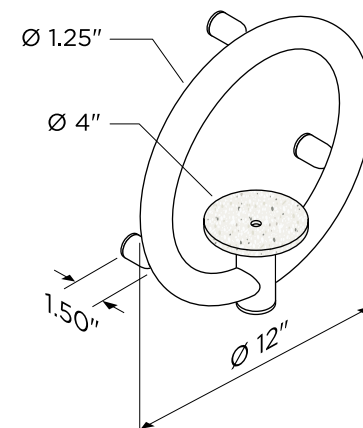
Solid surface is nonporous, and resists the growth of mold and bacteria.

### ADA Compliant

- Rail Diameter (1.25")
- Wall Clearance (1.50")

Exceeds ADA 4.26.3 structural strength requirements for grab bars and fasteners (250lbs)

### Product Dimensions



## TOILET ROLL HOLDER

A stunning addition to any bathroom that offers discreet support for sitting down on and getting up from the toilet.



**500** SUPPORTS UP TO 500LBS

**DISCREET WALL STEMS WITH CONCEALED SCREWS**  
Makes mounting areas virtually invisible

**MULTI-CONTACT WALL SUPPORT**  
4 points of contact for maximum structural support

### Stainless Steel Finishes

INV-WTRH-CP Chrome    INV-WTRH-BS Brushed    INV-WTRH-ORB Bronze

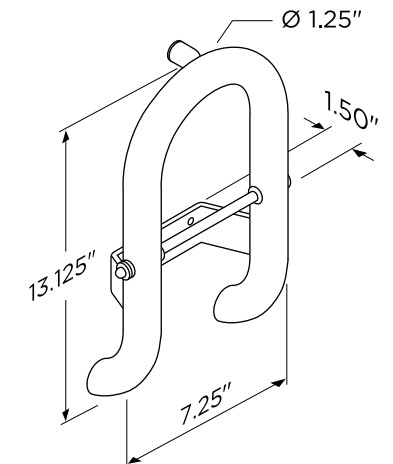


### ADA Compliant

- Rail Diameter (1.25")
- Wall Clearance (1.50")

Exceeds ADA 4.26.3 structural strength requirements for grab bars and fasteners (250lbs)

### Product Dimensions



## SHAMPOO SHELF

Store your shampoo bottles on a sophisticated shelf that incorporates a support bar to provide peace of mind. It also features a removable tray for easy cleaning.



## ACCENT BAR

A bold, stylish way to breathe new life into any bathroom, our Accent Bar can be placed wherever support is needed.



**500** SUPPORTS UP TO 500LBS



**DISCREET WALL STEMS WITH CONCEALED SCREWS**  
Makes mounting areas virtually invisible



**MULTI-CONTACT WALL SUPPORT**  
4 points of contact for maximum structural support

**500** SUPPORTS UP TO 500LBS



**FLANGE COVER CONCEALS MOUNTING SCREWS**  
Makes mounting areas virtually invisible



**VERSATILE INSTALLATION**  
Horizontal, vertical, or angled

### Stainless Steel Finishes

INV-SHS-CP Chrome    INV-SHS-BS Brushed    INV-SHS-ORB Bronze



### Tray Surface



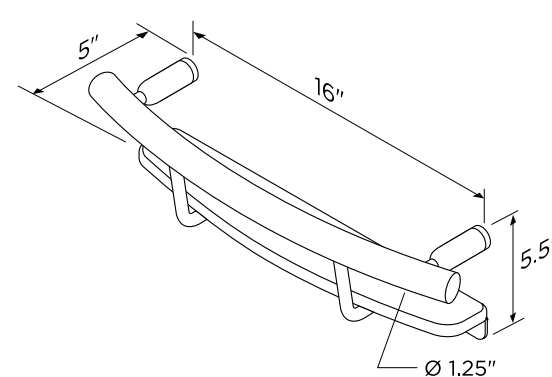
Solid surface is nonporous, and resists the growth of mold and bacteria.

### ADA Compliant

- Rail Diameter (1.25")

Exceeds ADA 4.26.3 structural strength requirements for grab bars and fasteners (250lbs)

### Product Dimensions



### Stainless Steel Finishes

INV-ACB-CP Chrome    INV-ACB-BS Brushed    INV-ACB-ORB Bronze

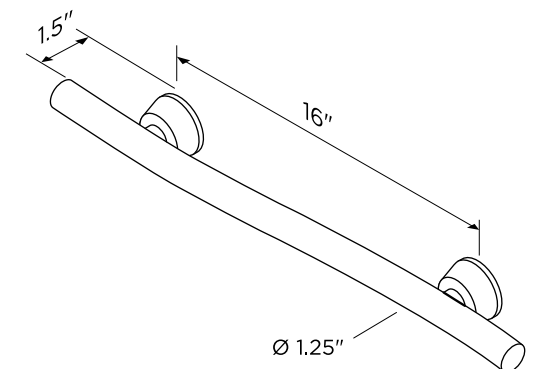


### ADA Compliant

- Rail Diameter (1.25")
- Wall Clearance (1.50")

Exceeds ADA 4.26.3 structural strength requirements for grab bars and fasteners (250lbs)

### Product Dimensions



# SERENASEAT

Inspired by the spa, this beautiful seat provides an area for rest and relaxation. Can easily fold up against the wall when not in use.



**500** SUPPORTS UP TO 500LBS

**SEAT WIDTHS**  
18" and 26"

**BRAZILIAN WALNUT SEAT**  
Three times stronger than teak and naturally resistant to moisture, mildew and decay

# BATH BENCH

The perfect place to put a glass of wine and a good book also doubles as a seating surface. Can easily be removed and stored out of the way.



**500** SUPPORTS UP TO 500LBS

**FITS TUB WIDTHS**  
19.75" to 27.25"

**BRAZILIAN WALNUT SEAT**  
Three times stronger than teak and naturally resistant to moisture, mildew and decay

## Frame Finishes

INV-WS18-CP Chrome    INV-WS18-BS Brushed



INV-WSXX-PCG Grey    INV-WSXX-ORB Bronze



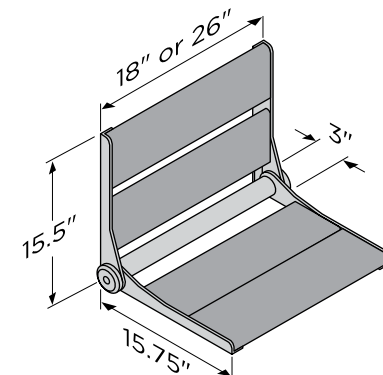
(XX = 18 and 26)

## ADA Compliant

Exceeds ADA 4.26.3 structural strength requirements for shower seats and fasteners (250lbs)

## Product Dimensions

Custom widths available



## Frame Finishes

INV-WSBB-PCG Grey    INV-WSBB-ORB Bronze

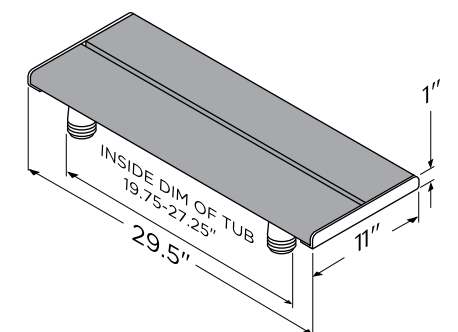


## ADA Compliant

Exceeds ADA 4.26.3 structural strength requirements for shower seats and fasteners (250lbs)

## Product Dimensions

Custom widths available



# CORNER SEAT

Add a little luxury to your shower with our elegant Corner Seat that provides a solid surface to sit on while contributing to a peaceful bathroom environment.



**SUPPORTS UP TO 500LBS**



**SEAT WIDTHS**  
18" and 26"



### BRAZILIAN WALNUT SEAT

Three times stronger than teak and naturally resistant to moisture, mildew and decay

### Frame Finishes

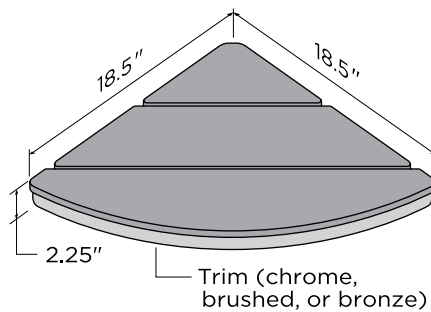
INV-WSCS-CP Chrome    INV-WSCS-BS Brushed    INV-WSCS-ORB Bronze



### ADA Compliant

Exceeds ADA 4.26.3 structural strength requirements for shower seats and fasteners (250lbs)

### Product Dimensions



### WARRANTY

All Invisia™ Collection products are covered by a one year limited. Buyer hereby indemnifies, agrees to hold harmless and defend the manufacturer/distributor of the Invisia™ Collection from and against any and all liabilities, claims, (founded and unfounded), losses, damages, costs and expenses (including without limitation consequential damages and reasonable professional fees) resulting from buyers specification, application, or improper use of goods described hereon; buyers omission or neglect. The manufacturer/ distributor of the Invisia™ Collection does not assume any liability for damage resulting from services performed by others or faulty installation, misuse or misapplication of goods. The manufacturer/ distributor of the Invisia™ Collection shall not be liable for prospective profits or special, indirect, or consequential damages, or for the cost of any corrective work done without prior approval. Manufacturer/ distributor of the Invisia™ Collection total liability hereunder shall in no event exceed the purchase price of the goods specified hereon.

### BRAZILIAN WALNUT

In order to retain the natural beauty of the Brazilian Walnut (IPE), each slat is finished with an extremely durable 2 part oil finish that does not contain volatile organic compounds (VOCs) or other harmful chemicals. A light brown or red discoloration may be noticed in water exposed to the wood, and is due to an excess of pigments (natural oils) in the wood reacting with minerals present in certain types of water (well water, hard water, etc.). This discoloration is a natural reaction often referred to as leaching and should fade over time. Wipe down after use if discoloration is observed. The applied oil finish also reduces the effects of leaching. If unsure, test wood in local water prior to installation. No two seats are exactly alike. Indentations, slight cracks and color variations are to be expected. **WOOD CONTACT SENSITIVITY:** Some people may experience a skin rash or other reaction due to contact with certain types of wood. If unsure, test first.

All designs & specifications subject to change without notice.





**INVISIA**  
LIVE BEAUTIFULLY

2790 Fenton Road  
Ottawa Canada  
K1T 3T7

**t.** 613.822.1885  
**f.** 613.822.1886  
**tf.** 1.888.619.9992

**w.** [invisiacollection.com](http://invisiacollection.com)  
**e.** [info@invisiacollection.com](mailto:info@invisiacollection.com)

