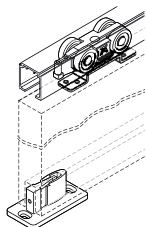











Slido D-Line11

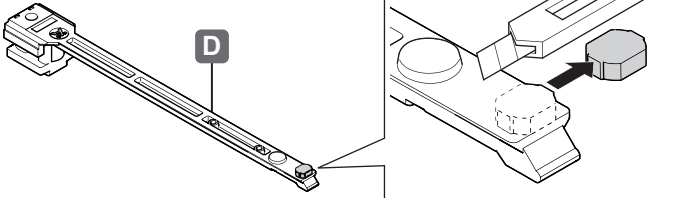
940.42.064	940.83.005	941.02.036
940.42.065	940.83.006	941.02.037
940.42.066	940.83.007	941.02.038
940.42.067	940.83.008	941.02.039




	 A	 B1	 B2	 E
50P	940.42.064	940.42.065	940.42.066	940.42.067
80P	940.83.005	940.83.006	940.83.007	940.83.008
120P	941.02.036	941.02.037	941.02.038	941.02.039

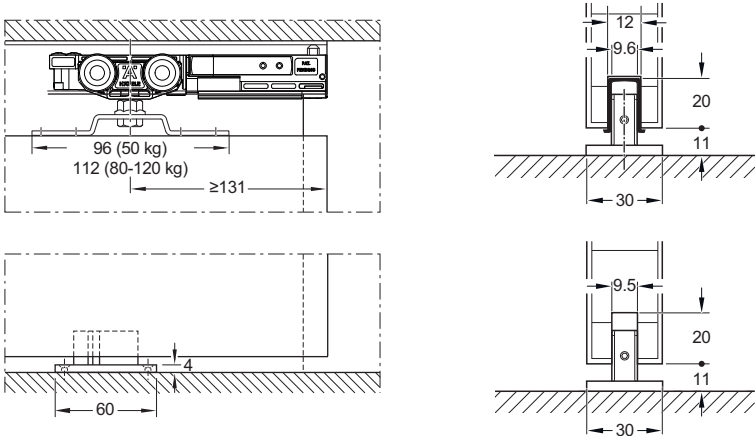
732.29.797

i  B1  B2  E

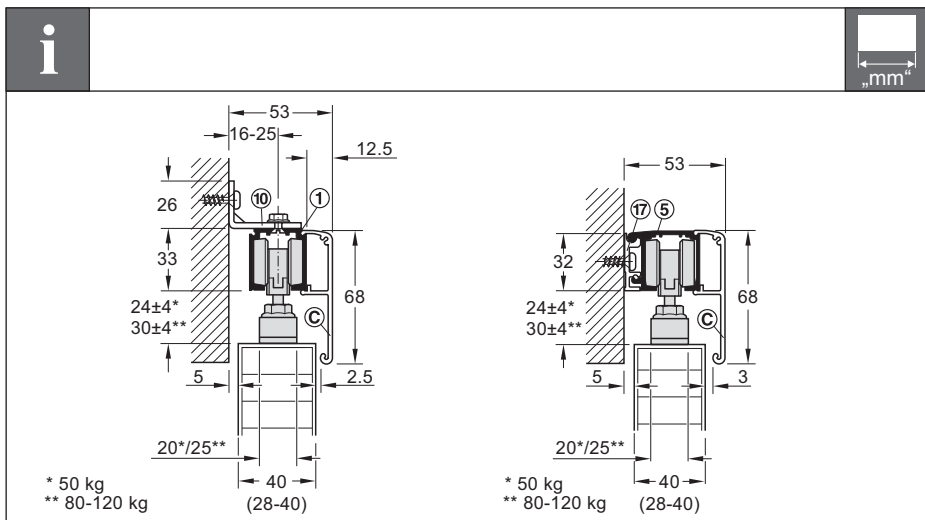


941.25.602
941.25.603
941.25.606

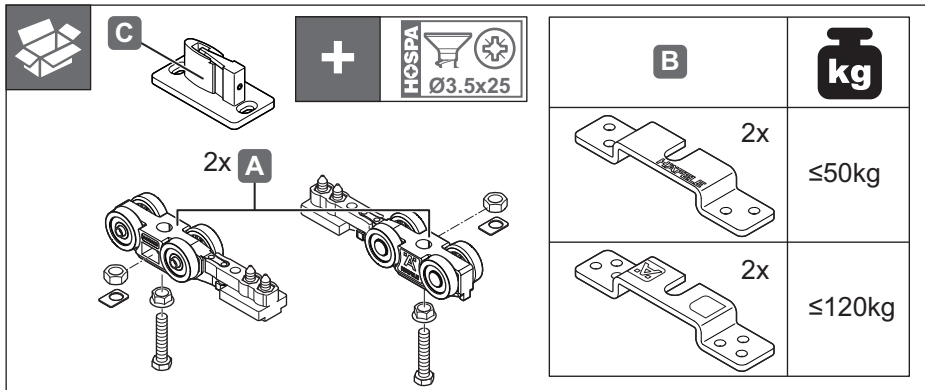
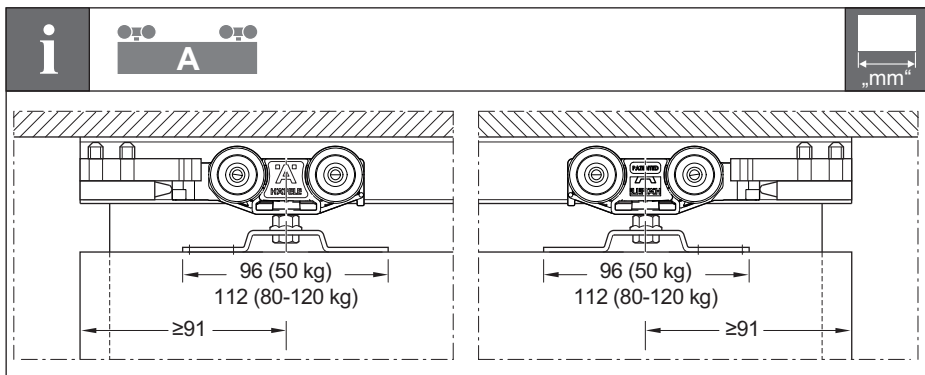
i 



HDE 27.01.2021

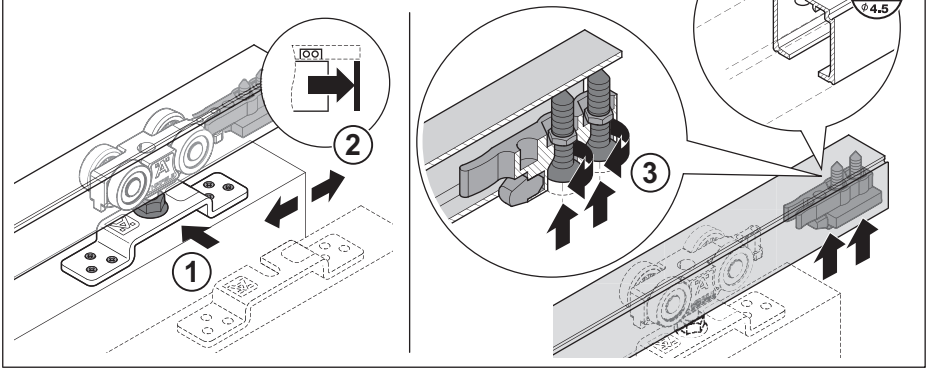


732.29.797



HDE 27.01.2021

1

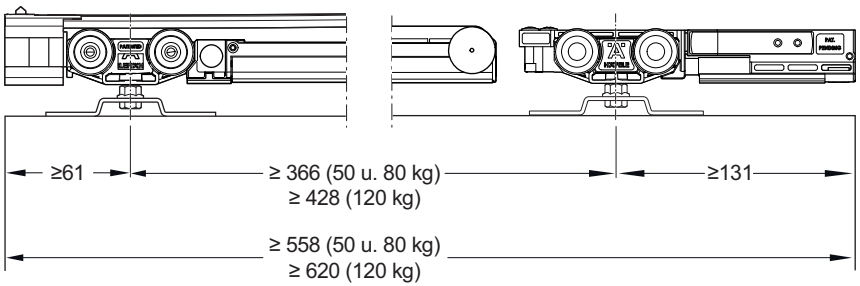
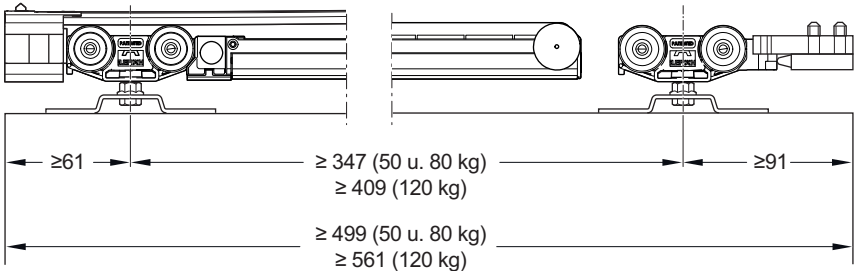


732.29.797

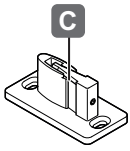
i

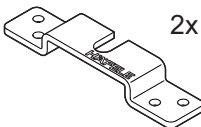
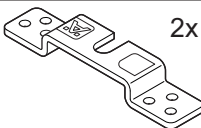
B1/B2

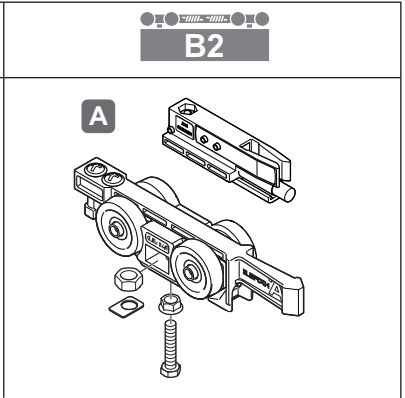
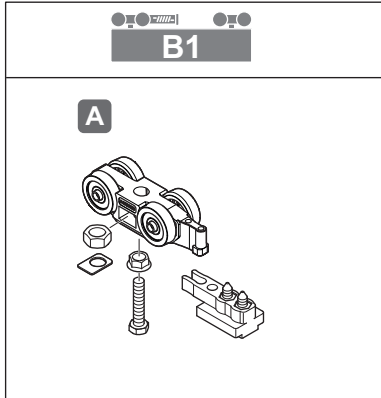
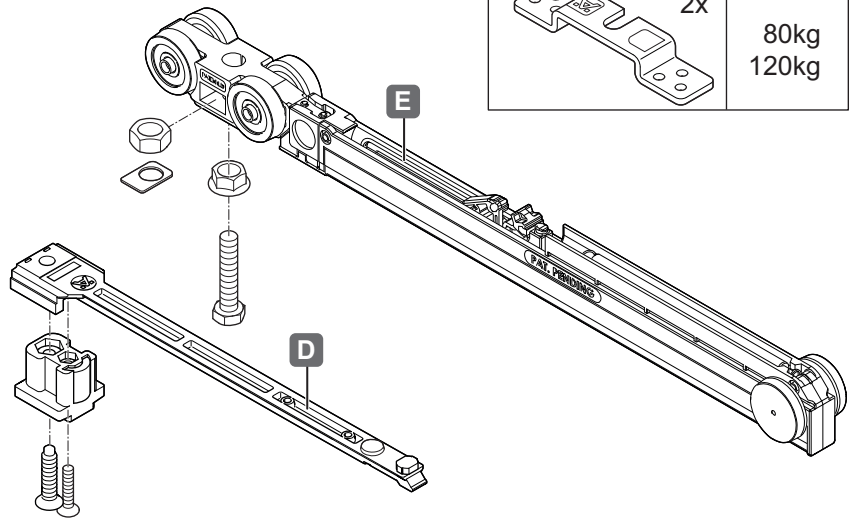
„mm“



HDE 27.01.2021



B	kg
 <p>2x</p>	50kg
 <p>2x</p>	80kg 120kg

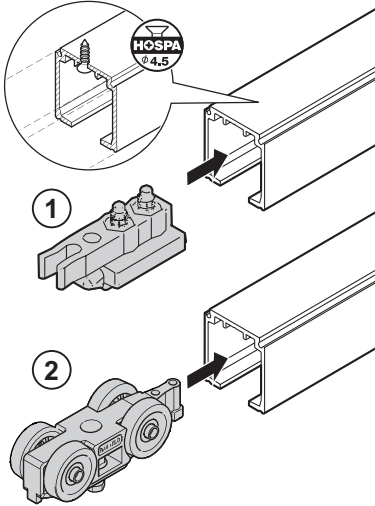


732.29.797

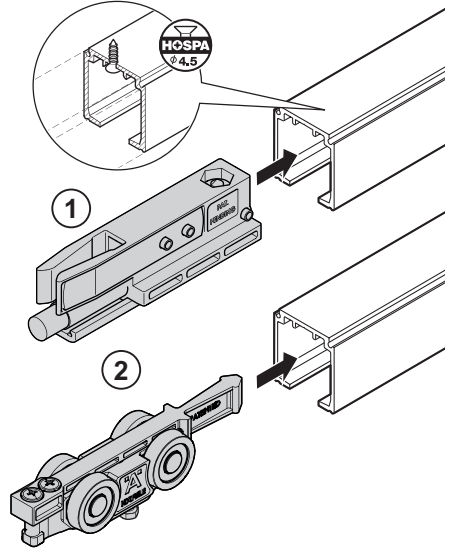
HDE 27.01.2021

1

B1

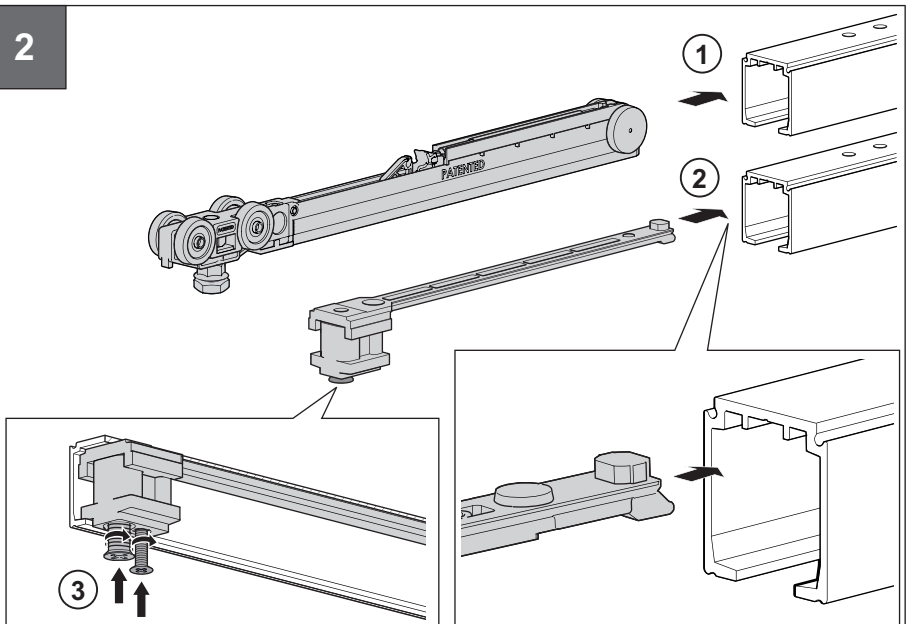


B2

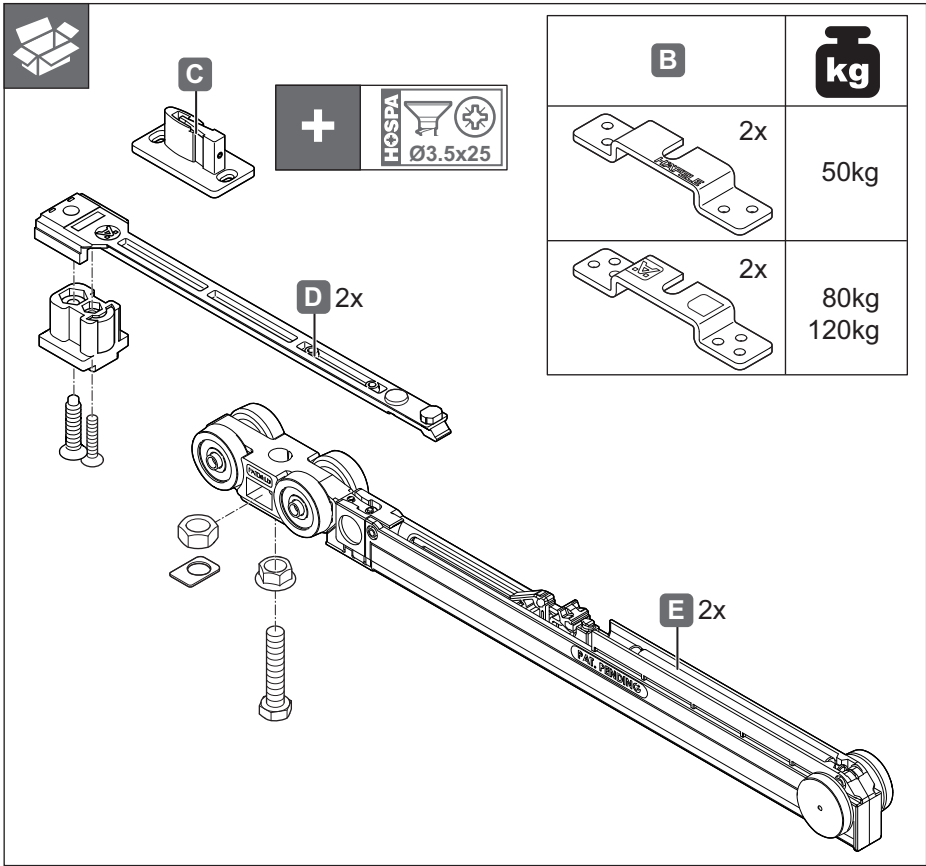
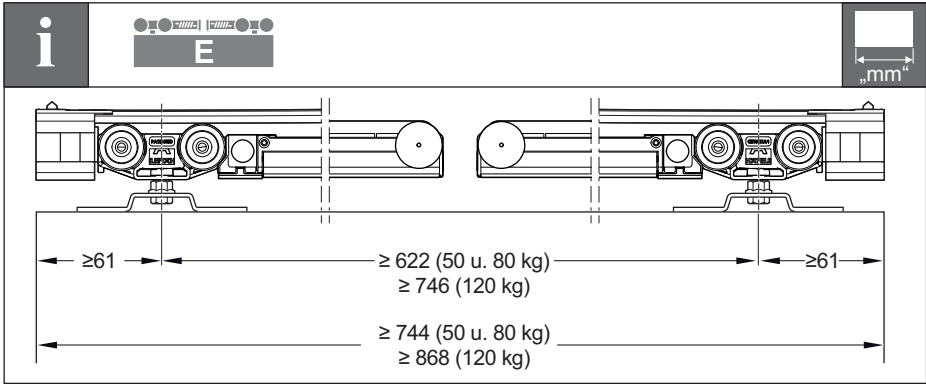


732.29.797

2



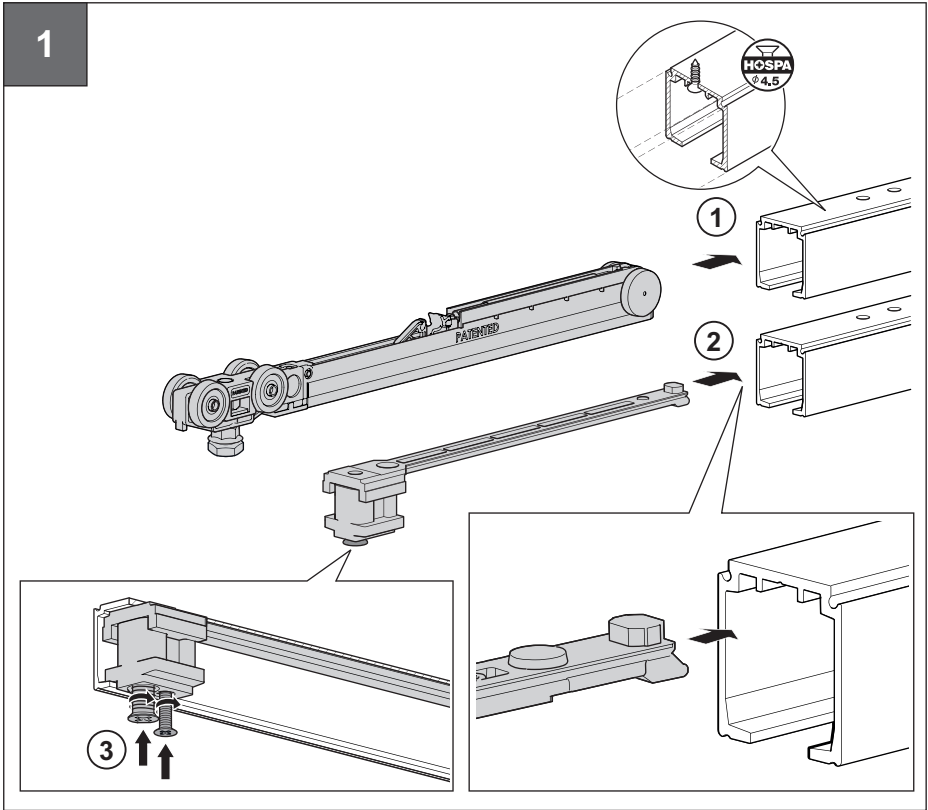
HDE 27.01.2021



732.29.797

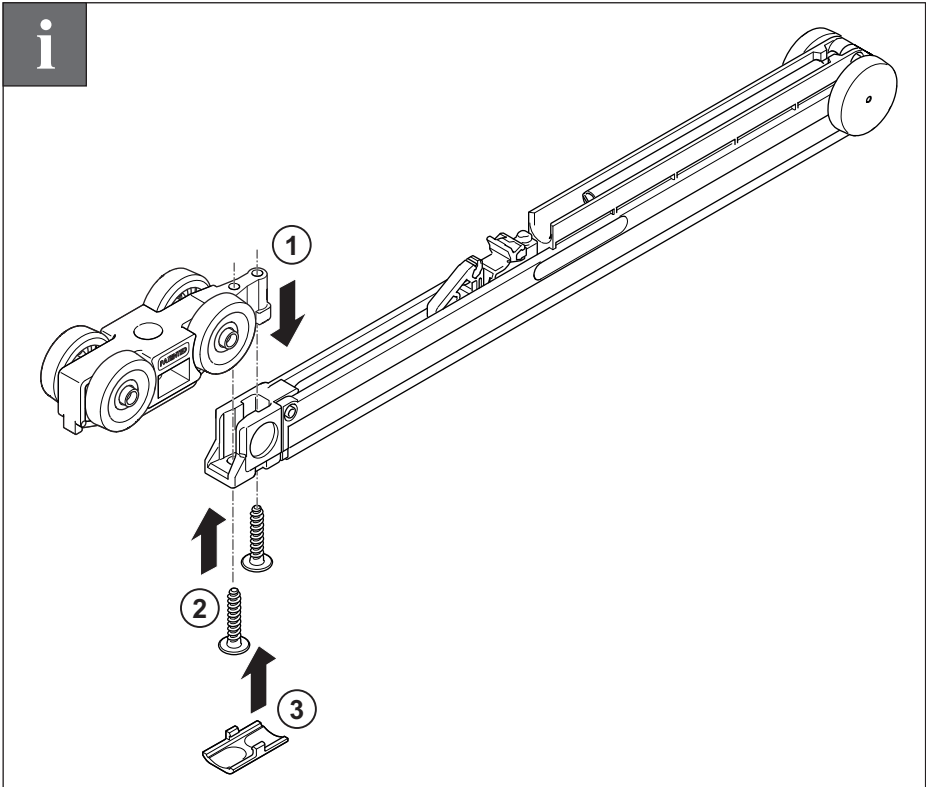
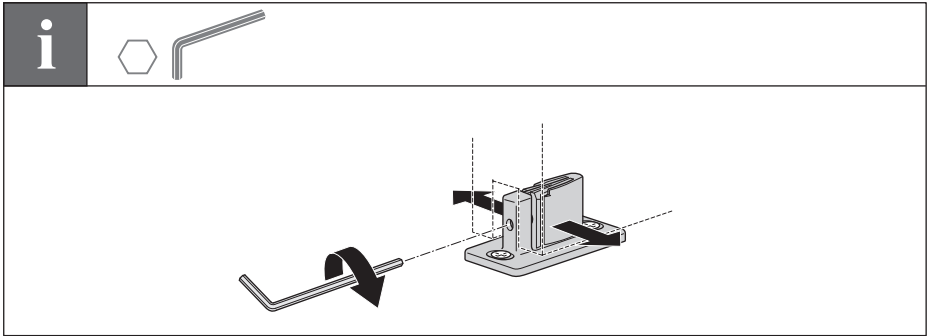
HDE 27.01.2021

1



732.29.797

HDE 27.01.2021



732.29.797

HDE 27.01.2021