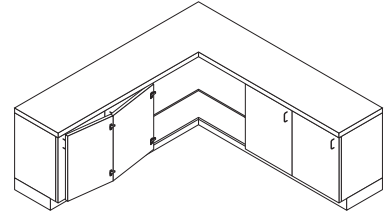


Nexis PCC

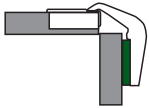
Pie-cut corner hinge



- 3-dimensional adjustment with suitable base plate
- Designed for connecting two folding doors in corner cabinet
- For door thicknesses 16 to 22 mm
- Self-close hinges available
- Used in conjunction with Nexis 170 hinges



Pie-cut Corner Hinge	Opening angle 110°	Screw-on	Dowelled
----------------------	--------------------	----------	----------



Nexis :
 Hinge cup: die-cast, nickel-plated
 Hinge arm: diecast, nickel-plated

Pattern	Type	Item No.	Item No.	PU
45	Self-close	148.700.01.0015	148.700.02.0015	125
48	Self-close	146.700.01.0015	146.700.02.0015	125

Cover caps



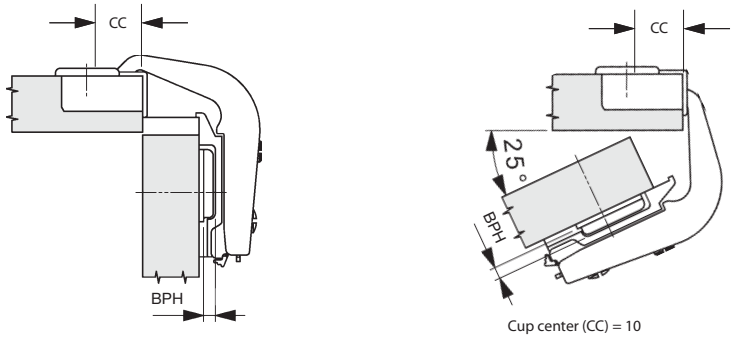
Steel, nickel-plated, without imprint
 Black plastic, without imprint
 Imprinting available upon special request

Item No.	PU
514.300.22.0015	1000
514.000.22.9662	1000

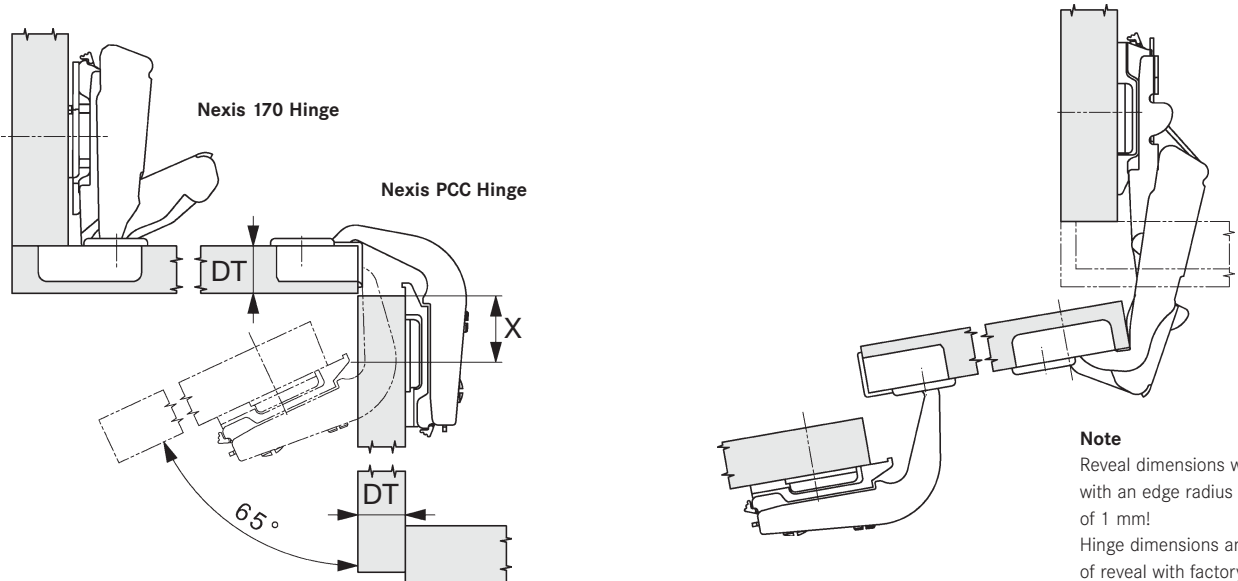
PU = packaging unit

Soft-close/UniSoft	Page 48	Base plates	Page 44	Machinery	Page 76
Tipmatic	Page 56			Technical Information	Page 7

Hinge Application

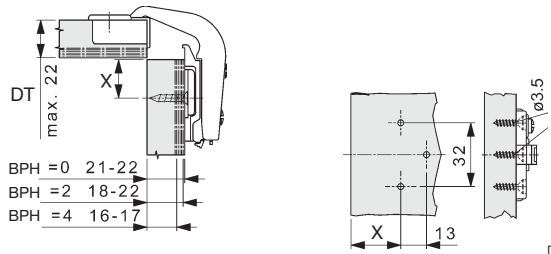


Drawing with base plate, height 04



Note
 Reveal dimensions were determined with an edge radius (of the door) of 1 mm!
 Hinge dimensions and calculation of reveal with factory setting.

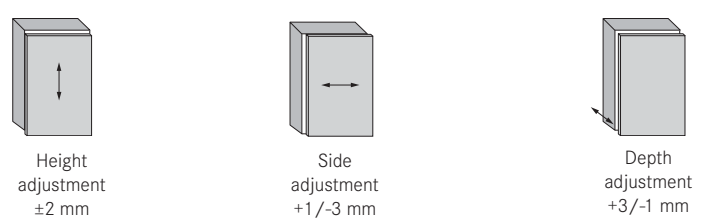
IMPORTANT
 To determine the correct application Grass strongly recommends a trial mounting for all hinges and mounting plates.



Drawings with base plate, height 04

Door thickness (DT)	16	17	18	19	20	21	22
Distance (X)	25	24	22	21	20	18	17
Base Plate Height (BPH)	04		02			00	

Adjustments



Cup dimensions

