



INTEGRA



**G\* GRASS®**

INTEGRA DRAWER SYSTEM

The single-wall steel drawer system.





# Grass Integra



The single-wall steel drawer system from Grass









The Integra system offers outstanding quality and maximum utilization of cabinet space.

The Integra steel drawer system offers cabinet manufacturers a wide variety of possibilities for design and application in modern kitchens and bathrooms. From standard drawers to full extension drawers, from Pendaflex filing systems to the Integra

interior Rollouts, Integra offers the end user endless application possibilities. Integra, excellent in quality, perfect in function and design.

# Grass Integra

## Contents

Description	Page
Integra Quick 9013 - Height - 53mm [2 1/16"]	8 
Integra Quick 9113 - Height - 85mm [3 3/8"]	9 
Integra Quick 9213 - Height - 117mm [4 5/8"]	10 
Integra Quick 9313 - Height - 149mm [5 7/8"]	11 
9140 Full Extension Components	12 
Interior Drawer	13 

Description	Page	
1700/1702 - Single extension slide for Pull-out shelf	14	
3570 Pull-out Shelf - Railing for single and double gallery surround	15	
3500 Gallery Rail - Screw-on fixing for Integra drawers with high fronts	16	
3595 - Pendaflex File	17	
Front Fixing Brackets	18	<div style="display: flex; justify-content: space-around;"> <div style="text-align: center;"> <p>Click-on</p> </div> <div style="text-align: center;"> <p>Slide-on</p> </div> </div>
Accessories	19-20	
Mounting Aids	21-22	

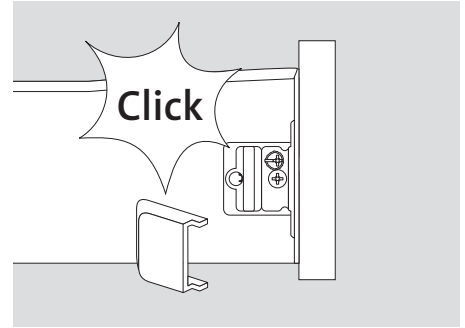
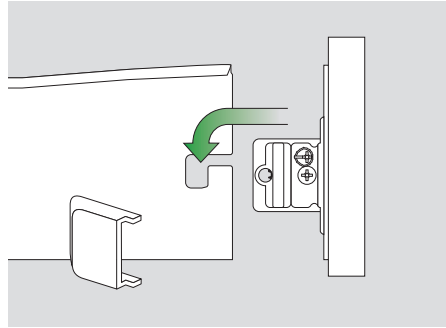
# Grass Integra

## Technical Information

### Drawer front attachment

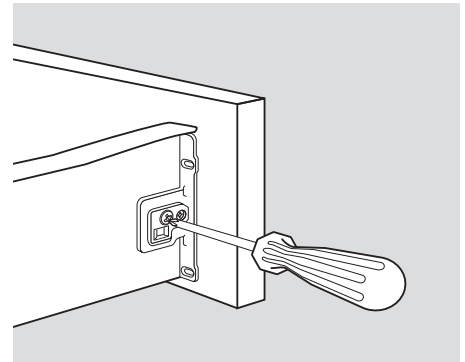
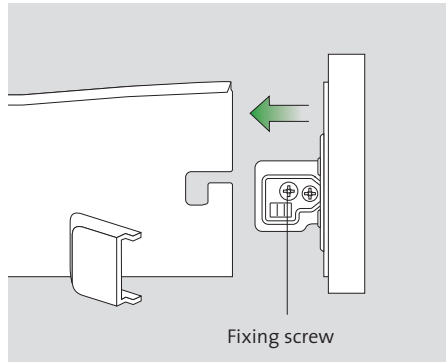
#### Click-on

- 1 Insert front
- 2 Front clicks on automatically



#### Slide-on

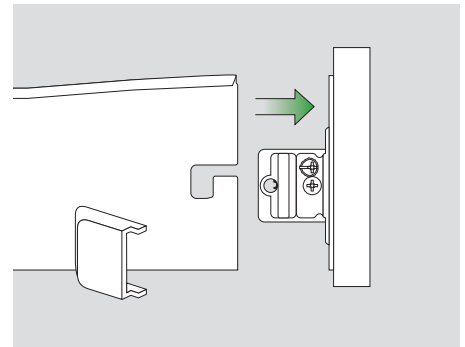
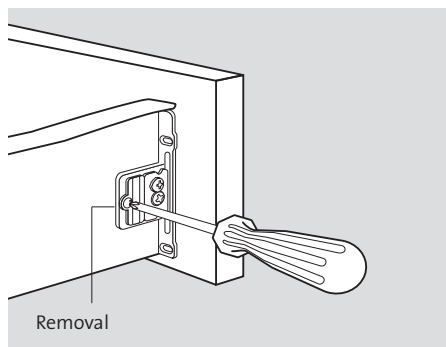
- 1 Insert front
- 2 Tighten fixing screw



### Drawer front removal

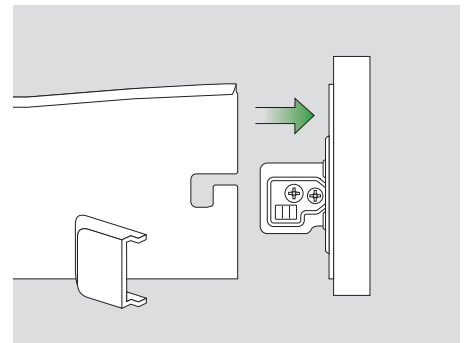
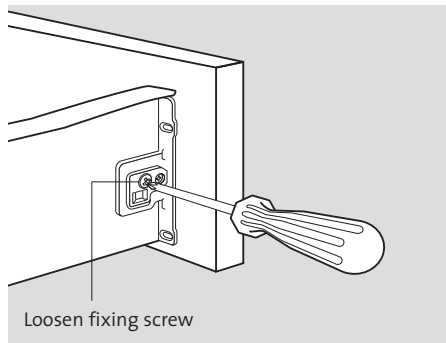
#### Click-on

- 1 Loosen screw as indicated
- 2 Remove front



#### Slide-on

- 1 Loosen fixing screw
- 2 Remove front



## Technical Information

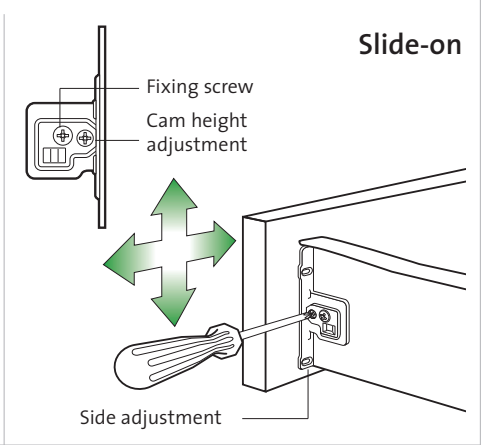
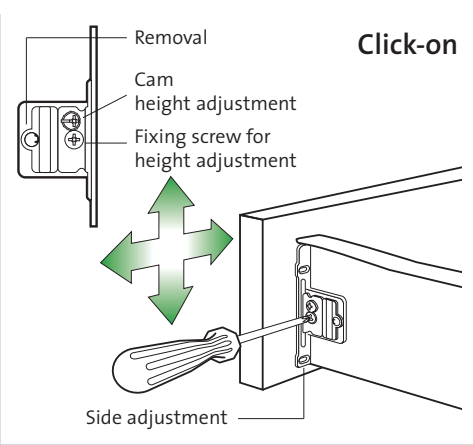
### Cam height adjustment

**Integra Click-on and Slide-on**

Brackets will be supplied in **neutral** position. Therefore up and down adjustment is possible.

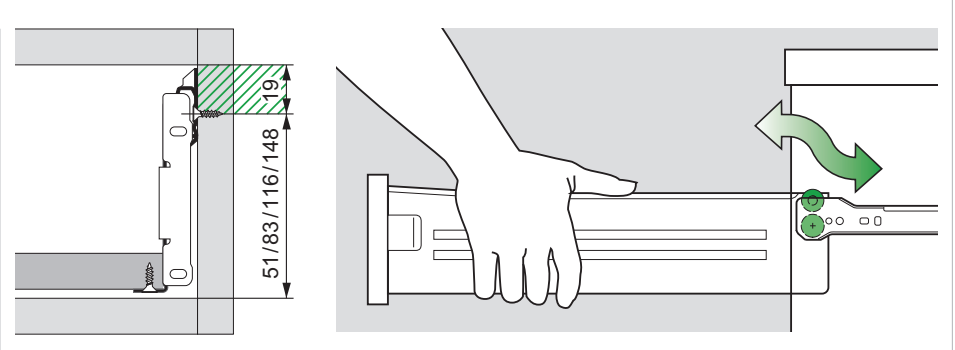
If adjustment is necessary:

- Loosen fixing screw
- Adjust cam
- Tighten fixing screw



### Removal space

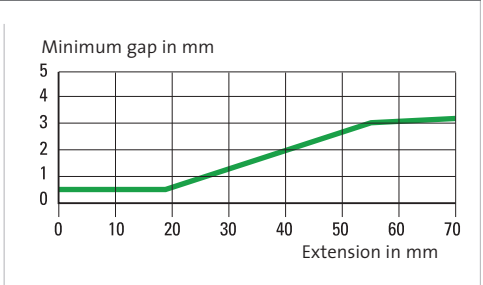
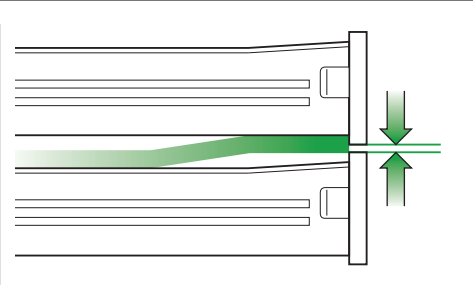
Small removal space for insertion and removal "roller over axle"



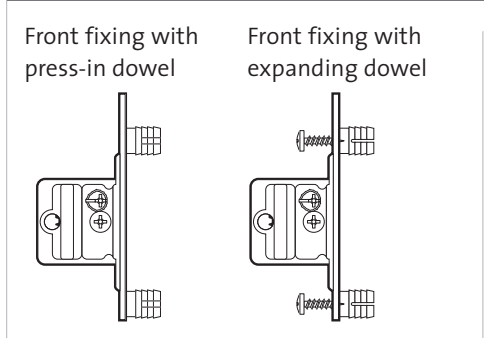
### Minimum gap

Minimum gaps are required due to parallel self-closing feature

Minimum gap for 19 mm front = 0.5 mm



### Mounting tips



When using front fixing brackets with press-in dowel the bored holes should be countersunk. Hard surface coatings such as melamine can shear off the dowel membranes. This will result in a drastically reduced holding power of the bracket. As an alternative a front fixing bracket with expanding dowels can be used. For expanding dowels no countersink is needed. These dowels offer best holding power. For commercial applications we recommend to use a close stop to prevent the drawer front hitting the cabinet.

# Grass Integra Quick 9013 Pencil drawer

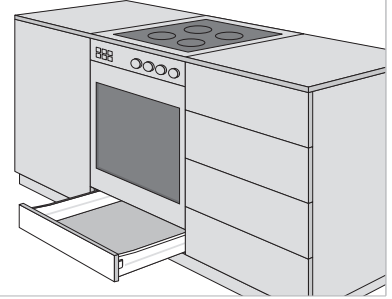
Metal drawer system, height 53 mm (2 1/16")



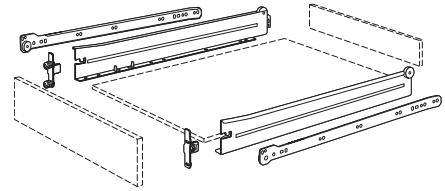
## Description

- Metal drawer system
- Color: white (RAL 9010)
- Single extension, height 53 mm (2 1/16")
- Load capacity 100 lbs.
- Installation width 15.5 mm (5/8")
- Snap-on bottom
- Screw-on bottom version - Integra Top 9003 available upon request

## Application



Front fixing brackets

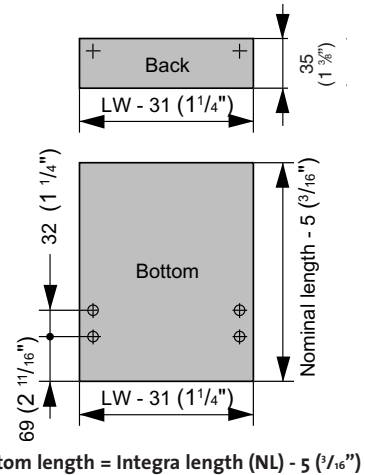
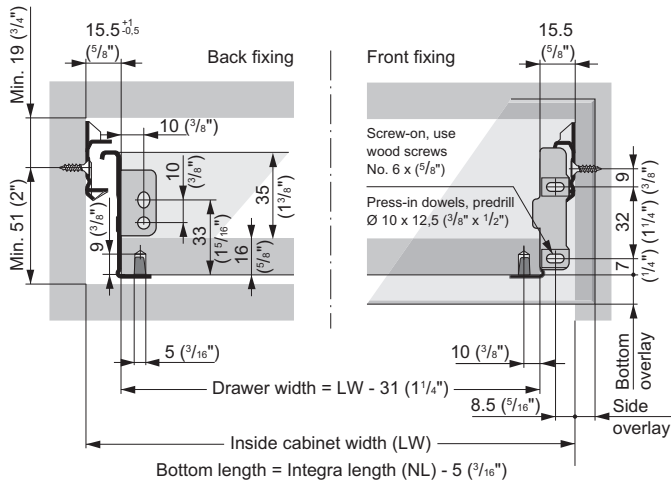


Nominal length in mm	Ref. No. white	PU
350 (14")	9013.350.2	10 sets bulk packaged
400 (16")	9013.400.2	
450 (18")	9013.450.2	
500 (20")	9013.500.2	
550 (22")	9013.550.2	

Screws / Screw measurements	Ref. No. PU: 500 pcs.
Special Euro screw pozi Ø 6.3 x 11 mm (1/4" x 7/16")	499.360.61.1015
Special Euro screw pozi Ø 6.3 x 13 mm (1/4" x 9/16")	499.360.61.3015
Wood screw phillips No. 6 x 5/8"	81001-43

Front fixing brackets	Ref. No. left hand	Ref. No. right hand	PU
Screw-on	9005.L.VE10	9005.R.VE10	10 pcs.
Press-in dowels	9006.L.VE10	9006.R.VE10	

Measurements of cuts for 16 mm (5/8") drawer bottom



PU = Packing Unit



# Grass Integra Quick 9113



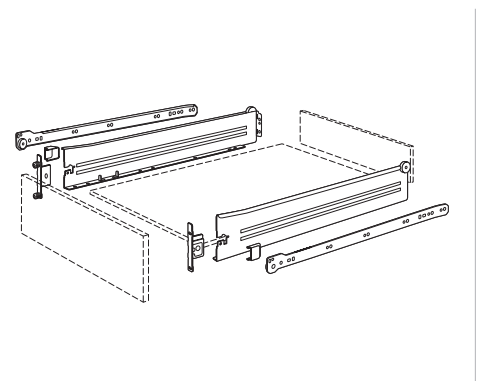
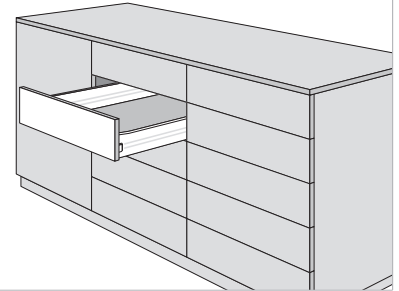
Metal drawer system, height 85 mm (3 3/8")




## Description

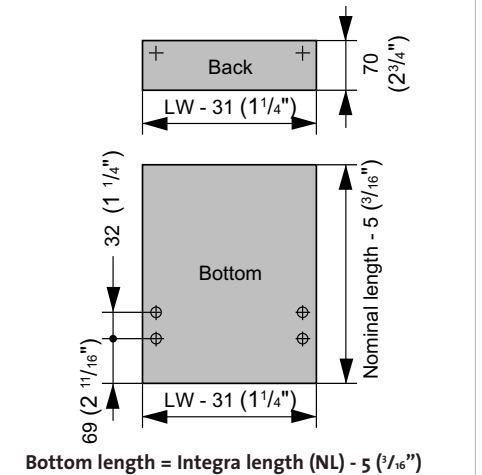
- Metal drawer system
- Color: white (RAL 9010)
- Single extension, height 85 mm (3 3/8")
- Load capacity 100 lbs.
- Installation width 15,5 mm (5/8")
- Snap-in bottom mounting
- Screw-on bottom version - Integra Top 9103 available upon request

## Application

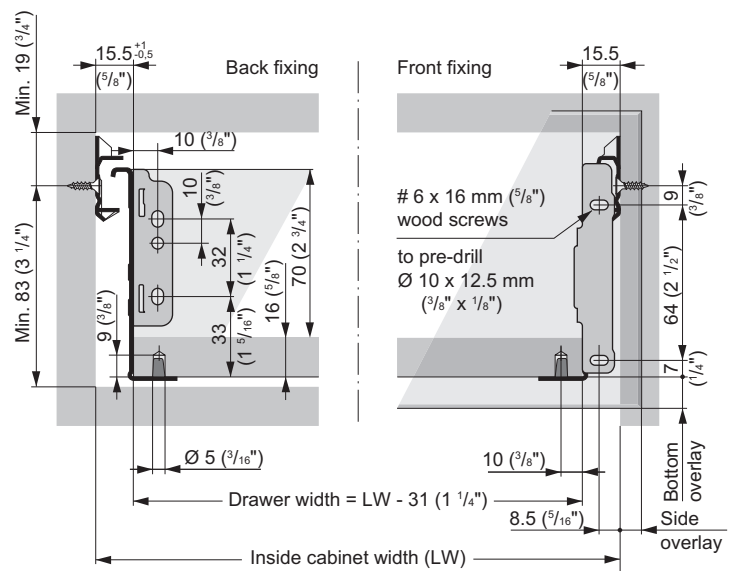


Nominal length in mm	Ref. No. white	PU	Cover caps Ref. No.	PU	
275 (11")	9113.275.2	10 sets bulk packaged	9112.2.VE20	20 pcs.	
350 (14")	9113.350.2		9112.2.VE500	500 pcs.	
400 (16")	9113.400.2		 Plastic, white		
450 (18")	9113.450.2				
500 (20")	9113.500.2				
550 (22")	9113.550.2				

## Measurements of cuts for 16 mm (5/8") drawer bottom



Front fixing brackets see page 18.



PU = Packing Unit

# Grass Integra Quick 9213

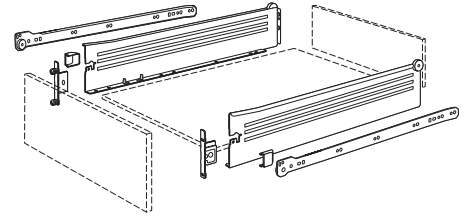
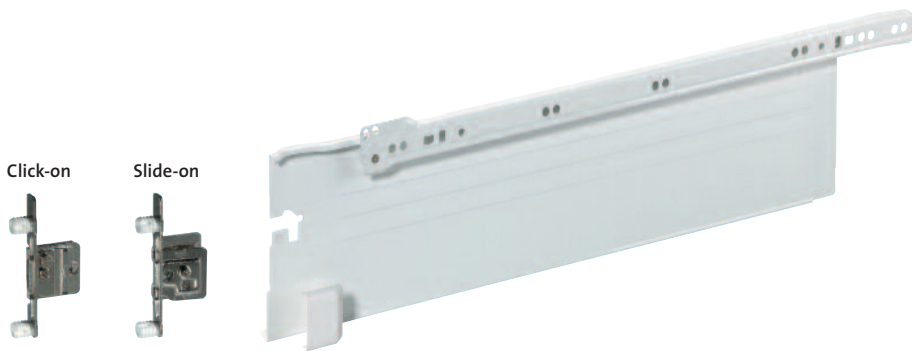
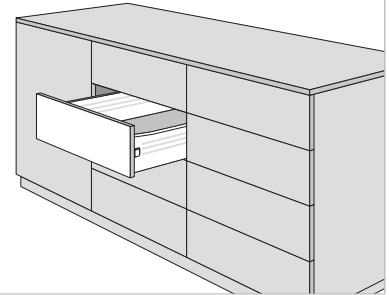
Metal drawer system, height 117 mm (4 5/8")



## Description

- Metal drawer system
- Color: white (RAL 9010)
- Single extension, height 117 mm (4 5/8")
- Load capacity 100 lbs.
- Installation width 15.5 mm (5/8")
- Snap-on bottom
- Screw-on bottom version - Integra Top 9203 available upon request

## Application

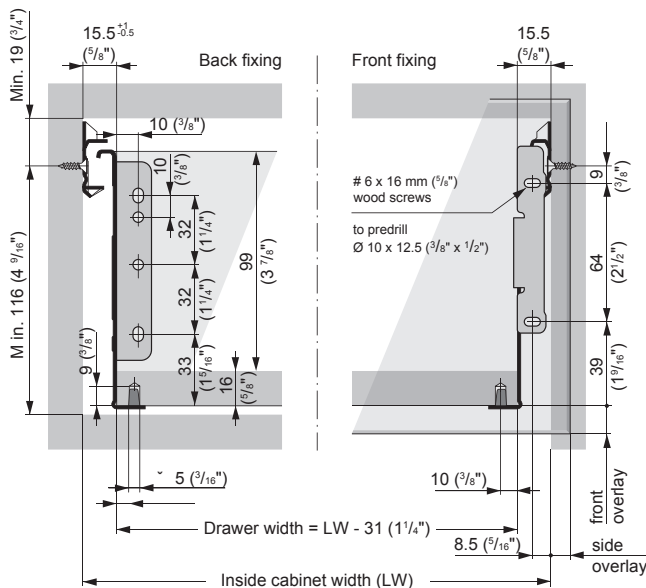
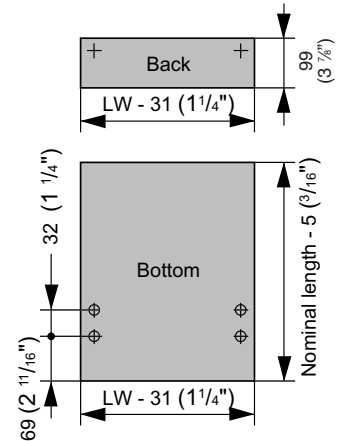


Nominal length in mm	Ref. No. white	PU	Cover caps Ref. No.	PU
350 (14")	9213.350.2	5 sets bulk packaged	9112.2.VE20	20 pcs.
400 (16")	9213.400.2		9112.2.VE500	500 pcs.
450 (18")	9213.450.2			
500 (20")	9213.500.2			
550 (22")	9213.550.2			

Front fixing brackets see page 18.

Plastic, white

## Measurements of cuts for 16 mm (5/8") drawer bottom



PU = Packing Unit

# Grass Integra Quick 9313



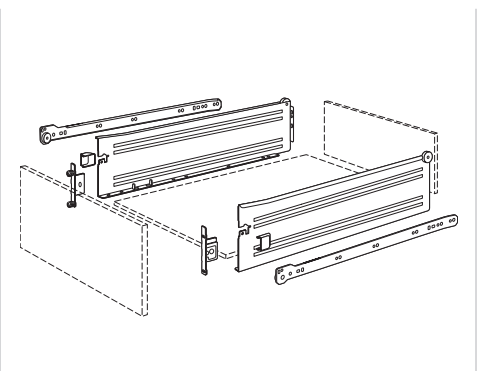
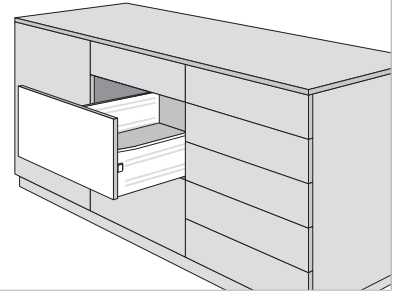
Metal drawer system, height 149 mm (5 7/8")



## Description

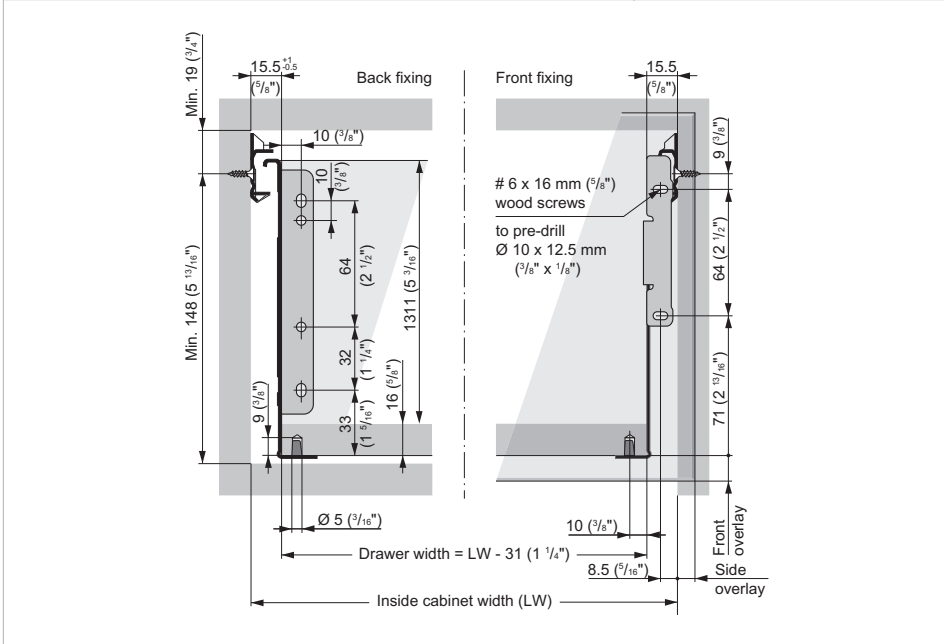
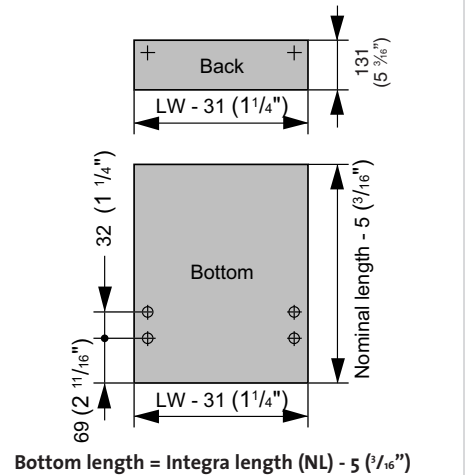
- Metal drawer system
- Color: white (RAL 9010)
- Single extension, height 149 mm (5 7/8")
- Load capacity 100 lbs.
- Installation width 15,5 mm (5/8")
- Snap-in bottom mounting
- Screw-on bottom version - Integra Top 9303 available upon request

## Application



Nominal length in mm	Ref. No. white	PU	Cover caps Ref. No.	PU	
350 (14")	9313.350.2	5 sets bulk packaged	9112.2.VE20	20 pcs.	
400 (16")	9313.400.2		9112.2.VE500	500 pcs.	
450 (18")	9313.450.2		Plastic, white		
500 (20")	9313.500.2				
550 (22")	9313.550.2				

## Measurements of cuts for 16 mm (5/8") drawer bottom



PU = Packing Unit

# Grass Integra Quick 9140

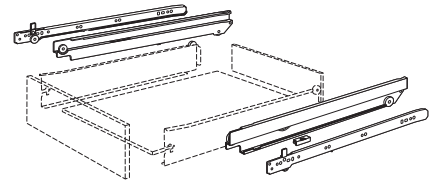
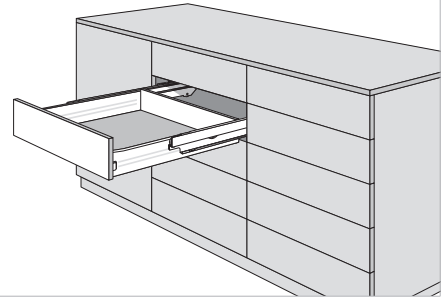
Full extension components for sides with heights  
53 (2 1/16"), 85 (3 3/8"), 117 (4 5/8"), and 149 mm (5 7/8")



## Description

- Full extension components for sides with height 53 (2 1/16"), 85 (3 3/8"), 117 (4 5/8") and 149 mm (5 7/8")
- Color: white (RAL 9010)
- Load capacity 100 lbs.
- Installation width 15.5 mm (5/8")
- 15 mm (5/8") over-extension

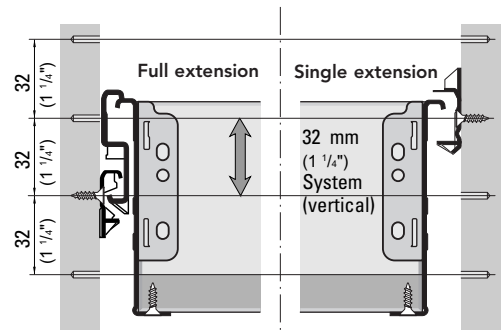
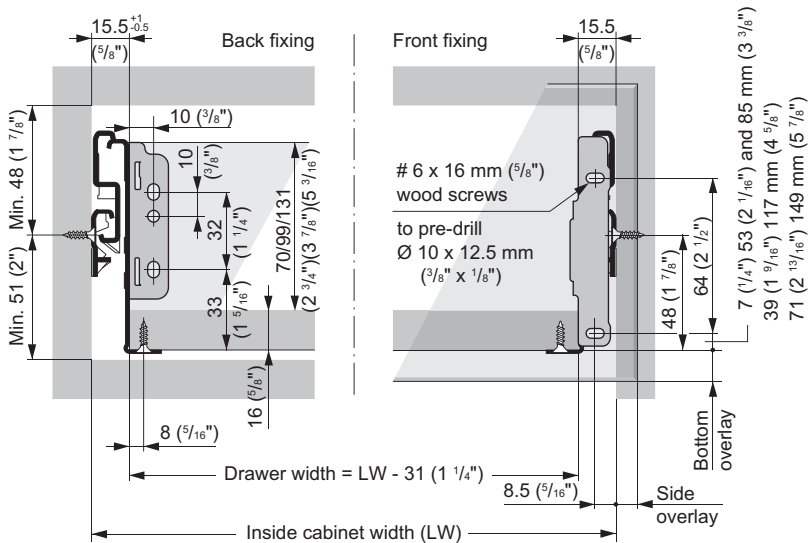
## Application



Nominal length in mm	Ref. No. white	PU
350 (14")	9140.350.2	10 sets individually packaged
400 (16")	9140.400.2	
450 (18")	9140.450.2	
500 (20")	9140.500.2	
550 (22")	9140.550.2	

## Mounting positions

System 32 mm (1 1/4") compatible



Full-extension and single-extension are both fully compatible within the 32 mm system.

PU = Packing Unit

# Grass Integra Interior Drawer 9108, 9208, 9308



Front fixing adapters for heights 85 (3 3/8"), 117 (4 5/8") and 149 mm (5 7/8")



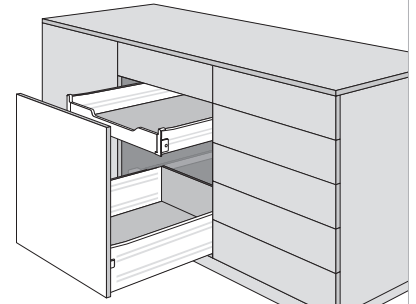
## Description

- Front fixing adapters for interior drawers
- Color: white (RAL 9010)
- Screw-on

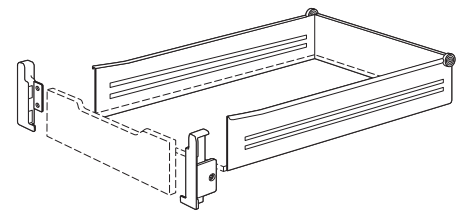
A set consists of:

- Front fixing adapters left and right
- Clamp flaps
- Mounting screws

## Application

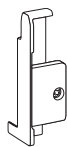


Front fixing adapters for interior drawers



	Ref. No. white	PU
for 85 mm (3 3/8") height	9108.2.VE10	10 sets bulk
for 117 mm (4 5/8") height	9208.2.VE10	
for 149 mm (5 7/8") height	9308.2.VE10	

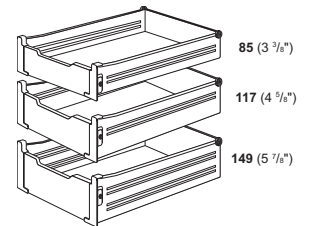
**9108**  
Front fixing adapter  
for 85 mm (3 3/8") height



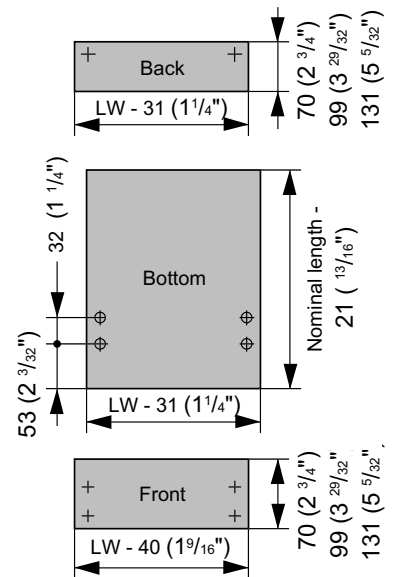
**9208**  
Front fixing adapter  
for 117 mm (4 5/8") height



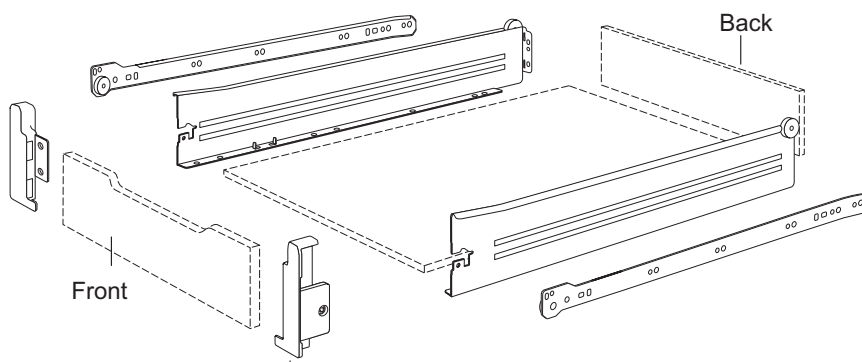
**9308**  
Front fixing adapter  
for 149 mm (5 7/8") height



Measurements of cuts for 16 mm (5/8") drawer bottom



Assembling with metal drawer system, heights 85 (3 3/8"), 117 (4 5/8") and 149 mm (5 7/8")



9108 height 85 mm (3 3/8")  
 9208 height 117 mm (4 5/8")  
 9308 height 149 mm (5 7/8")

Bottom length = Integra length (NL) - 21 (13/16")

PU = Packing Unit

# Grass Integra Drawer Slides 1700/1702

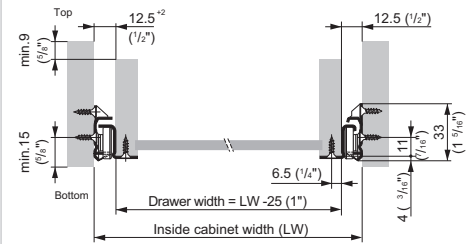
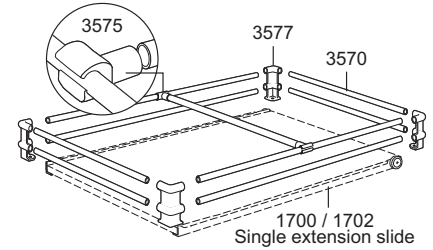
Single extension slide, 100 lbs.



## Description

- Single extension
- Load capacity 100 lbs.
- Installation width 12.5 mm (1/2")
- Bottom mounting
- Nylon rollers
- Color: white RAL 9010

## Application

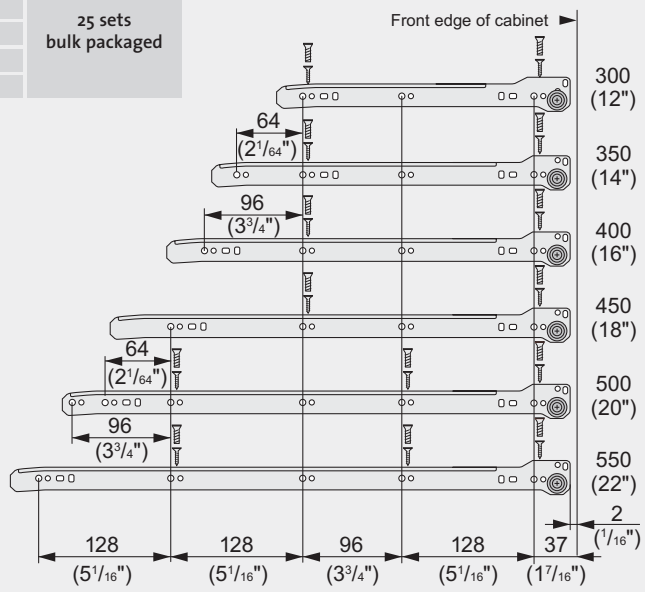


Nominal length in mm	Ref. No. white	PU
----------------------	----------------	----

300 (12")	1700.300.2	20 sets individually packaged
350 (14")	1700.350.2	
400 (16")	1700.400.2	
450 (18")	1700.450.2	
500 (20")	1700.500.2	
550 (22")	1700.550.2	

300 (12")	1702.300.2	25 sets bulk packaged
350 (14")	1702.350.2	
400 (16")	1702.400.2	
450 (18")	1702.450.2	
500 (20")	1702.500.2	
550 (22")	1702.550.2	

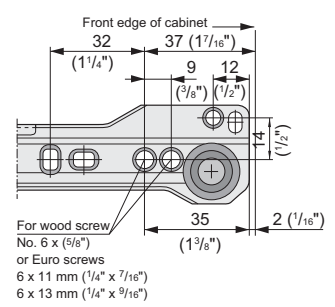
### Mounting positions for cabinet profile



Screws / Screw measurements	Ref. No. PU: 500 pcs.
-----------------------------	-----------------------

- Special Euro screw pozi**  
Ø 6.3 x 11 mm (1/4" x 7/16") 7 mm (1/4") **499.360.61.1015**
- Special Euro screw pozi**  
Ø 6.3 x 13 mm (1/4" x 9/16") 7 mm (1/4") **499.360.61.3015**
- Wood screw phillips**  
No. 6 x 5/8" 7 mm (1/4") **499.060.58.0115**

### Mounting positions for front cabinet profile



For wood screw No. 6 x 5/8" or Euro screws 6 x 11 mm (1/4" x 7/16") 6 x 13 mm (1/4" x 9/16")

PU = Packing Unit

# Grass Integra Gallery Rail 3570 for Pull-out Shelf



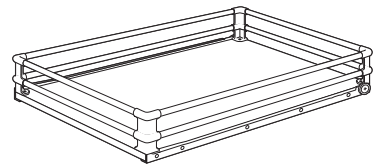
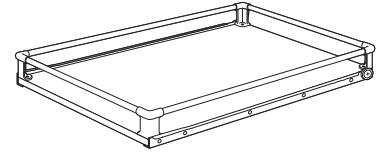
With single extension slide 1700/1702



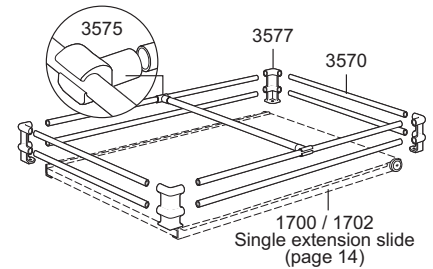
## Description

- Railing for single and double gallery surround
- Aluminum tube
- Epoxy coated
- Color: white (RAL 9010)

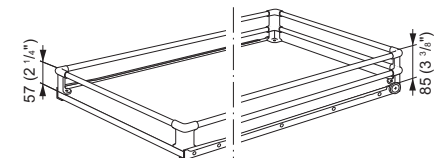
## Application



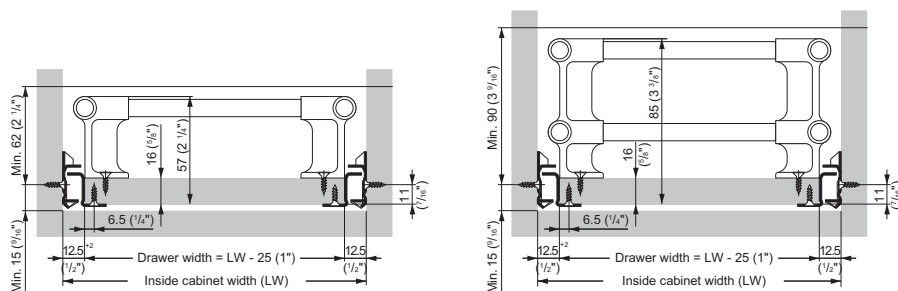
	Ref. No. white	PU
Rail - 1000 mm (39 3/8")	3570.1000.2	20 pcs.
Single corner post	3576.2.VE20	20 pcs.
Double corner post	3577.2.VE20	20 pcs.
Divider clip	3575.2.VE20	20 pcs.



3570 Rail	3576 Single corner post	3577 Double corner post	3575 Divider clip



## Installation dimensions



PU = Packing Unit

# Grass Integra Adjustable Gallery Rail 3500

For screw-on front fixing



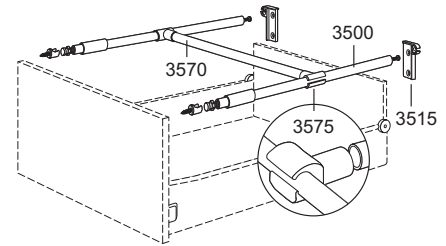
## Description

- For Integra drawers with tall fronts and tall wooden drawer backs
- Color: white (RAL 9010)

Consists of:

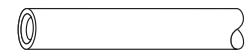
- 2 Side Gallery Rails
- 2 Front fixing parts
- 2 Back fixing parts
- 2 Cover caps

## Application

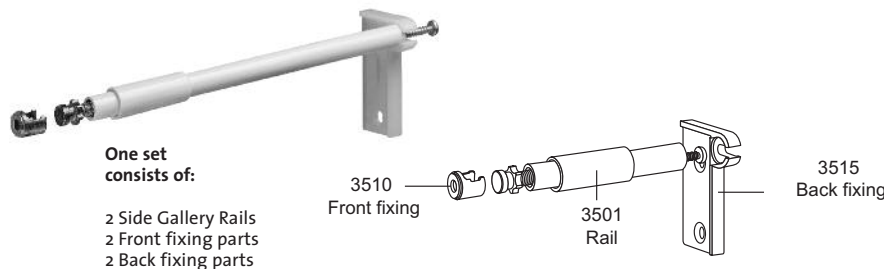
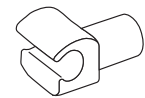


## Accessories

3570.1000 for individual cutting of Divider Rail



3575 Divider Clip



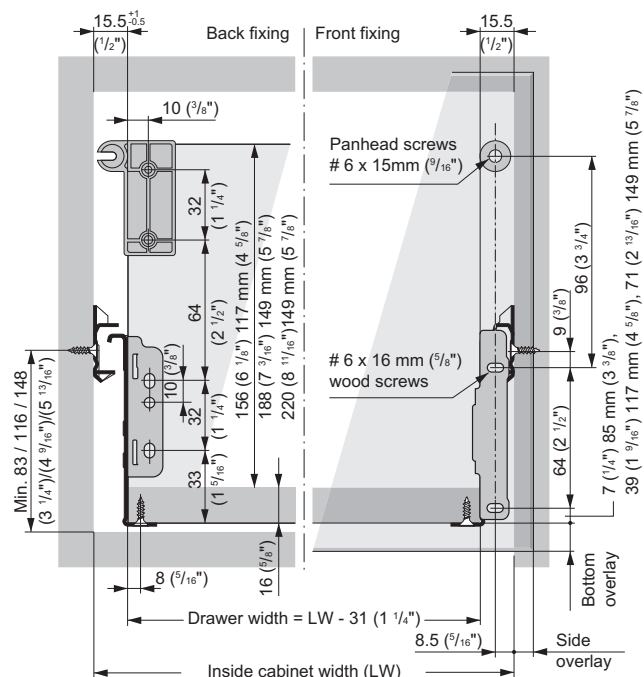
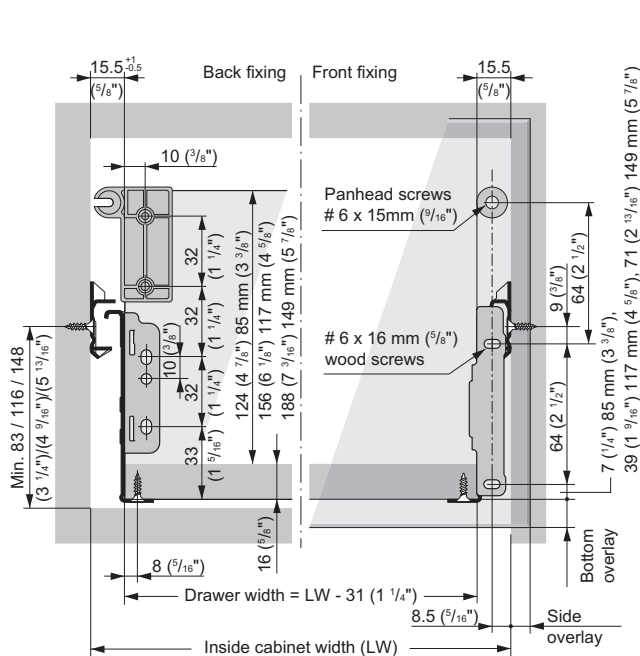
One set consists of:

- 2 Side Gallery Rails
- 2 Front fixing parts
- 2 Back fixing parts

Drawer length mm		Ref. No. white	PU
500 (20")	Gallery Rail set	3500.500.2	1/20
550 (22")	Gallery Rail set	3500.550.2	1/20

PU 1/20 = 1 set polybagged / 20 sets per carton

Length mm		Ref. No. white	PU
1000 (39 3/8")	Divider Rail	3570.1000.2	20 pcs.
	Divider Clip	3575.2.VE20	20 pcs.



PU = Packing Unit



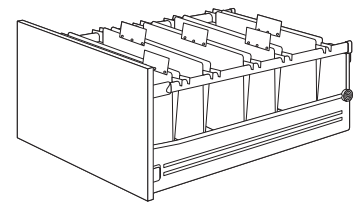
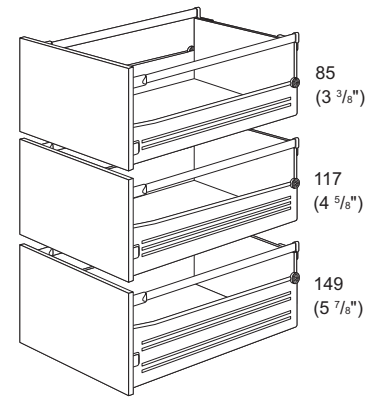
## File Railing



### Description

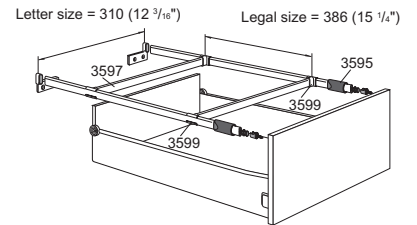
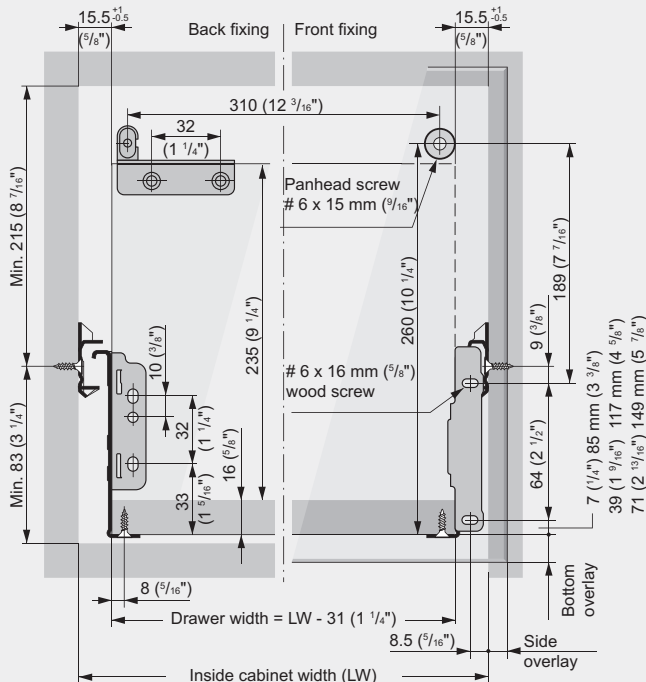
- Consists of:
- 2 Side Gallery Rails
- 2 Front fixing parts
- 2 Back fixing parts
- 2 Cover caps

### Application



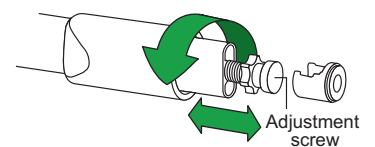
Drawer length mm		Ref. No. anodized	PU
500 (20")	File Railing set	3595.500.22	1/20
550 (22")	File Railing set	3595.550.22	1/20
1200 (47 1/4")	Divider rail	3597.1200.22	20
	Divider clips	3599	20

PU 1/20 = 1 Set polybagged / 20 sets per carton



### Front tilt adjustment

By turning adjustment screw at front.

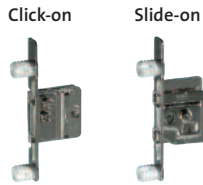


PU = Packing Unit

# Grass Integra Front Fixing Bracket

Height 85 mm, 117 mm and 149 mm

## Fixing Brackets for Integra Quick 9113/9213/9313



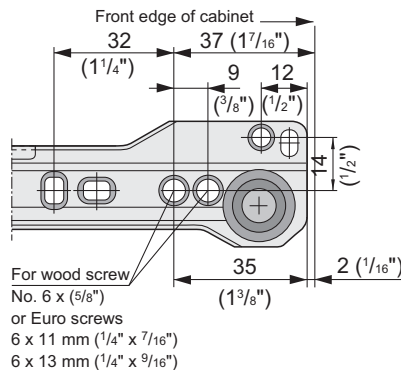
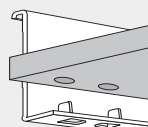
Front fixing	Ref. No.	Ref. No.	PU
Click-on	left hand	right hand	
Screw-on	9305.L.VE10	9305.R.VE10	10 pcs.
Press-in dowel	9306.L.VE10	9306.R.VE10	
Screw-on	9305.L.VE250	9305.R.VE250	250 pcs.
Press-in dowel	9306.L.VE250	9306.R.VE250	
Expanding dowel	9307.L.VE250	9307.R.VE250	
Front fixing	Ref. No.	Ref. No.	PU
Slide-on	left hand	right hand	
Screw-on	9205.L.VE10	9205.R.VE10	10 pcs.
Press-in dowel	9206.L.VE10	9206.R.VE10	
Screw-on	9205.L.VE250	9205.R.VE250	250 pcs.
Press-in dowel	9206.L.VE250	9206.R.VE250	
Expanding dowel	9207.L.VE250	9207.R.VE250	

Screws / Screw measurements	Ref. No.
	PU: 500 pcs.
<b>Special Euro screw pozi</b> Ø 6.3 x 11 mm (¼" x ⅞")	499.360.61.1015
<b>Special Euro screw pozi</b> Ø 6.3 x 13 mm (¼" x ⅞")	499.360.61.3015
<b>Wood screw phillips</b> No. 6 x 5/8"	81001-43

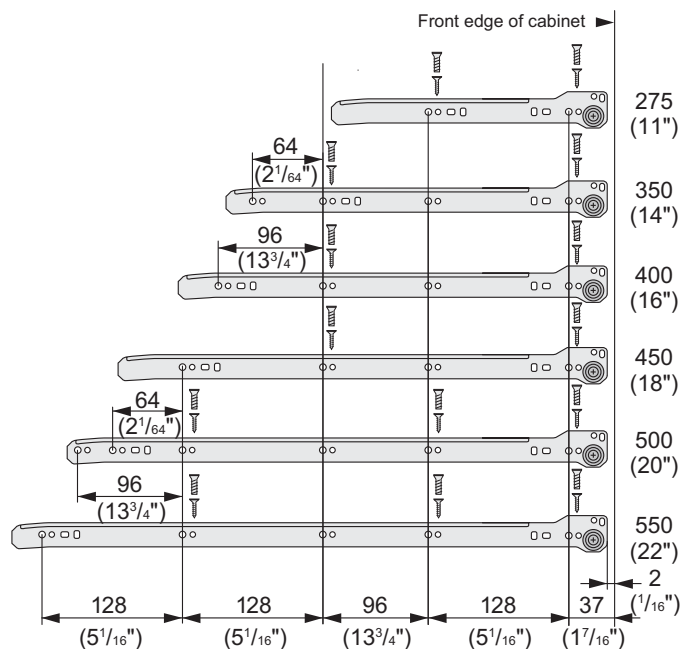
## Mounting positions and dimensions for Integra Quick 9013/9113/9213/9313

### Integra Quick with screw-free assembly

For easy and timesaving bottom mounting



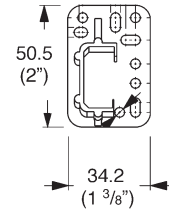
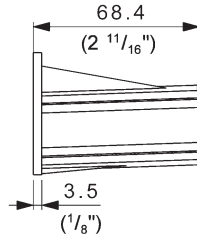
### Mounting positions for cabinet profiles



PU = Packing Unit

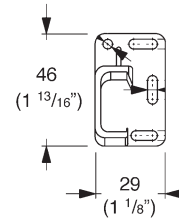
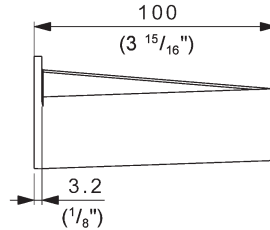
Rear mount sockets for installation in face frame cabinets

## 2 11/16" Rear mount socket for Integra



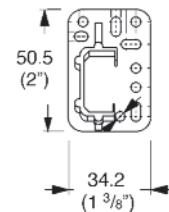
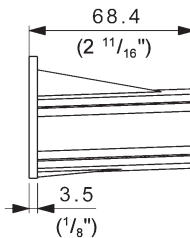
	Ref. No. left hand	Ref. No. right hand	PU
Screw-mount (ABS copolymer)	499.218.00.0250	499.218.00.0150	250 pcs.

## 4" Rear mount socket for Integra



	Ref. No. left hand	Ref. No. right hand	PU
Screw-mount (ABS copolymer)	931.248.00.0250	931.248.00.0150	250 pcs.
Staple-mount (Polyethylene)	931.248.00.0249	931.248.00.0149	

## Rear mount socket for single extension slide 1700/1702



	Ref. No. left hand	Ref. No. right hand	PU
Screw-mount (ABS copolymer)	499.217.00.0250	499.217.00.0150	250 pcs.
Staple-mount (Polyethylene)	499.217.00.0249	499.217.00.0149	

All measurements in mm (inches).

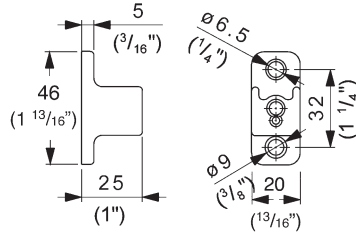
# Grass Integra Accessories 3800/3802

## Distance block and close stop

### Distance block symmetrical/asymmetrical

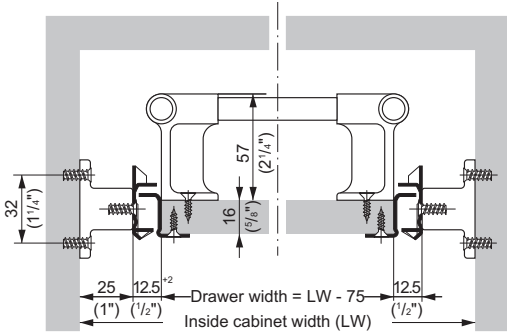


To provide side clearance for interior drawers and pull-out shelves.



### Application

with symmetrical distance block



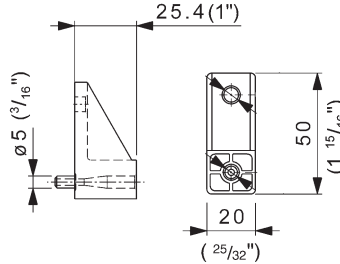
Ref. No. PU

Plastic, white 3800.13.VE100 100 pcs.



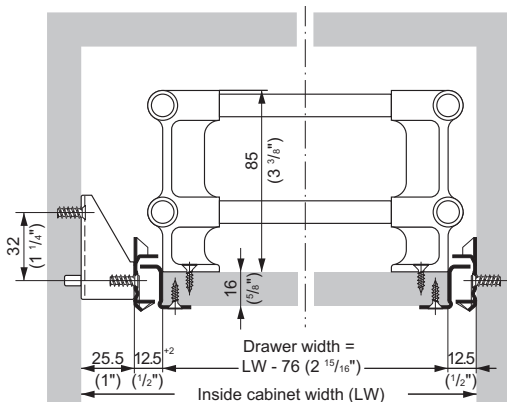
Ref. No. PU

Plastic, white 3802.13.VE100 100 pcs.



### Application

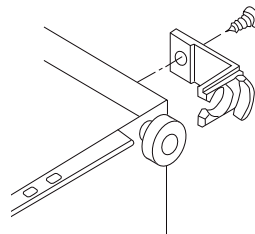
with asymmetrical distance block



### 3810 / 3811 Close stop for Integra drawers

#### Close stop

Integra drawer attachment to ensure 1.5 mm ( $\frac{1}{16}$ " ) and 3 mm ( $\frac{1}{8}$ " ) gap between front and cabinet.



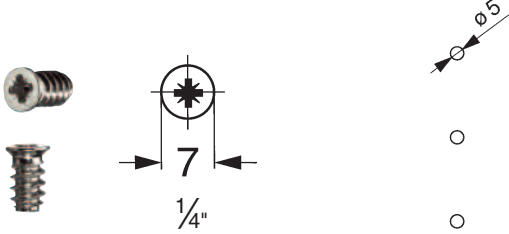
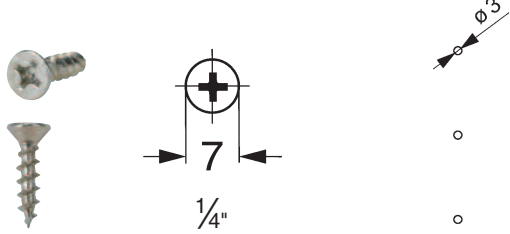
#### For Integra single extension

Assembly at Integra back panel left and right.

Ref. No. PU

for front gap 1.5 mm ( $\frac{1}{16}$ " ) 3810.13.VE100  
for front gap 3.0 mm ( $\frac{1}{8}$ " ) 3811.13.VE100 100 pcs.

PU = Packing Unit

Euro screws pozi head	Countersunk screws phillips head														
															
<table border="0"> <tr> <td></td> <td>Ref. No.</td> </tr> <tr> <td>Euro screw <math>\varnothing</math> 6.3 x 11 mm (<math>\frac{1}{16}</math>"</td> <td>499.360.61.1015</td> </tr> <tr> <td>Euro screw <math>\varnothing</math> 6.3 x 13 mm (<math>\frac{1}{4}</math>"</td> <td>499.360.61.3015</td> </tr> <tr> <td><b>PU</b></td> <td><b>500 pcs.</b></td> </tr> </table>		Ref. No.	Euro screw $\varnothing$ 6.3 x 11 mm ( $\frac{1}{16}$ "	499.360.61.1015	Euro screw $\varnothing$ 6.3 x 13 mm ( $\frac{1}{4}$ "	499.360.61.3015	<b>PU</b>	<b>500 pcs.</b>	<table border="0"> <tr> <td></td> <td>Ref. No.</td> </tr> <tr> <td>Countersunk screw Nr. 6 x <math>\frac{1}{8}</math>"</td> <td>81001-43</td> </tr> <tr> <td><b>PU</b></td> <td><b>500 pcs.</b></td> </tr> </table>		Ref. No.	Countersunk screw Nr. 6 x $\frac{1}{8}$ "	81001-43	<b>PU</b>	<b>500 pcs.</b>
	Ref. No.														
Euro screw $\varnothing$ 6.3 x 11 mm ( $\frac{1}{16}$ "	499.360.61.1015														
Euro screw $\varnothing$ 6.3 x 13 mm ( $\frac{1}{4}$ "	499.360.61.3015														
<b>PU</b>	<b>500 pcs.</b>														
	Ref. No.														
Countersunk screw Nr. 6 x $\frac{1}{8}$ "	81001-43														
<b>PU</b>	<b>500 pcs.</b>														

## 3960 Integrafit drilling jig



Predrilling of fixings positions for Integra front fixing and Integra Quick bottom mounting

Ref. No.	PU
3960	1 pc.

Including:


- Jig
- Marker  $\varnothing$  5 mm ( $\frac{3}{16}$ "
- Marker  $\varnothing$  10 mm ( $\frac{3}{8}$ "

## Marker jigs

**3985**  
For front fixing 9005

Including:

- Left part
- Right part
- 4 Marker tips



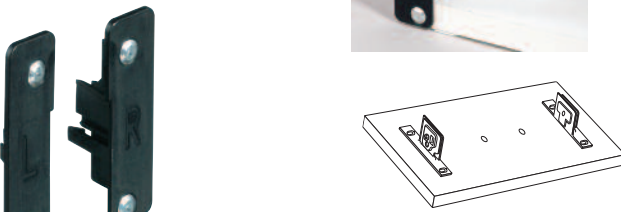
Ref. No.	PU
3985.VE1	1 set

**3986**  
For front fixing 9105 / 9205 / 9305

Including:

- Left part
- Right part
- 4 Marker tips

**Application**

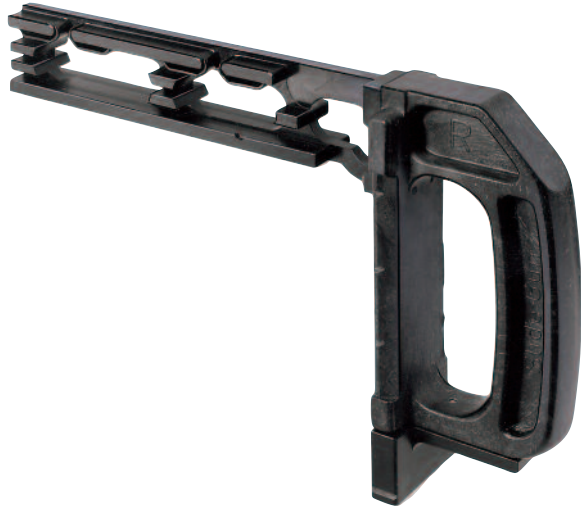


Ref. No.	PU
3986.VE1	1 set

PU = Packing Unit

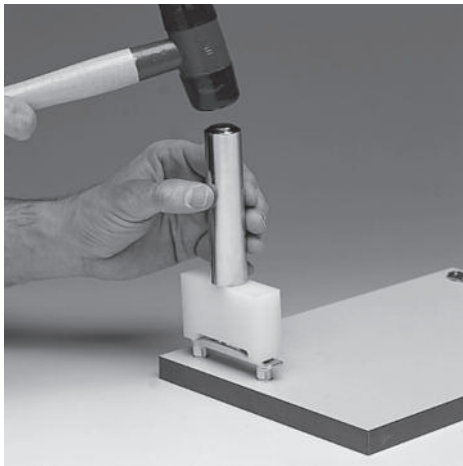
# Grass Integra Mounting Aids

## Slide Gun for Integra



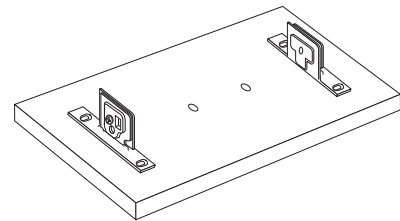
Ref. No.	PU
Plastic, black 2115	1 pc.

## Knock-in tools for Integra



Knock-in tools for Integra front fixings with press-in dowels

Application



3935 Knock-in tool for Integra front fixing 9006

3937 Knock-in tool for Integra front fixing 9206

3938 Knock-in tool for Integra front fixing 9306

Ref. No.	PU	Type	Ref. No.	Type	Ref. No.
3935	1 pc.	3937.VE1	1 pc.	3938.VE1	1 pc.

PU = Packing Unit



Grass America Inc.  
1202 NC Highway 66 South  
Kernersville, NC 27284

Phone 1-800-334-3512  
Fax 1-800-525-8406

**Internet: [www.grassusa.com](http://www.grassusa.com)**  
**E-Mail: [info@grassusa.com](mailto:info@grassusa.com)**

[www.grassusa.com](http://www.grassusa.com)

Grass Canada Inc.  
475 Finchdene Square, Unit 9  
Toronto, ON M1X 1B7

Phone 1-800-461-4975  
Fax 1-416-335-5907

**Internet: [www.grasscanada.com](http://www.grasscanada.com)**  
**E-Mail: [info@grasscanada.com](mailto:info@grasscanada.com)**