

Kinvaro T-76

Lift-up Fitting



- Variable opening angle - holds flap securely at any angle between 45° and 110°
- Extremely comfortable opening due to spring-supported opening mechanism
- Adjustable spring force
- Integrated adjustable closing damper
- Flap 3-dimensionally adjustable - height, side, angle: direct adjustment ±1.5mm
- No hinges fitted to the top panel
- Allows additional cabinet installation above
- For wooden flaps
- Fast, tool-free clip fitting of the front
- Face frame adapter available
- Weight 11.5 to 24.25 lb (5.2 to 11.0 kg)
- Range of flaps:
Width: up to 47 1/4" (up to 1200mm)
Height: 15 3/4" - 23 5/8" (400 - 600mm)
- Cover caps in grey

APPLICATION RANGE

Cabinet height	Flap weight incl. handle lb (kg)	
	Spring, standard	
15 3/4" (400)	15.4 - 24.3 (7.0 - 11.0)	
17 23/32" (450)	14.8 - 21.2 (6.7 - 9.6)	
19 11/16" (500)	12.8 - 18.7 (5.8 - 8.5)	
21 21/32" (550)	12.3 - 16.8 (5.6 - 7.6)	
23 5/8" (600)	11.5 - 15.4 (5.2 - 7.0)	

ORDER INFORMATION

Kinvaro T-76 set					
Description	Springs	Version for	Overlay	Item No.	PU
Kinvaro T-76 on right without damper and on left with damper, pre-assembled springs standard, incl. cover caps	standard	wood	variable	F151147706201	1

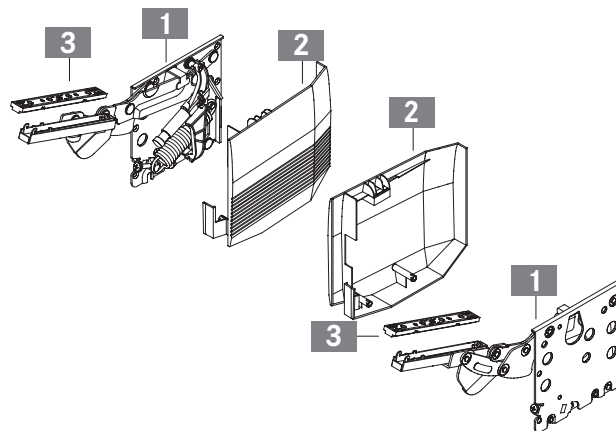
For automatic Kinvaro door calculations: Use the GRASS Kinvaro Calculator at www.grassusa.com/gps/



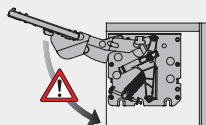
Face frame adapter, Kinvaro T-76 set			
Description	Overlay	Item No.	PU
Face frame adapter (2x) for wood frames with fixing screws (8x)	13 - 17	F151135905201	1

Kinvaro T-76 set comprises:

- 1 Fitting on the right without and on the left with damper (1x)
- 2 Cover caps on right and left (1x)
- 3 Mounting plates (2x)
Paper template (1x)
Installation instructions (1x)



WARNING



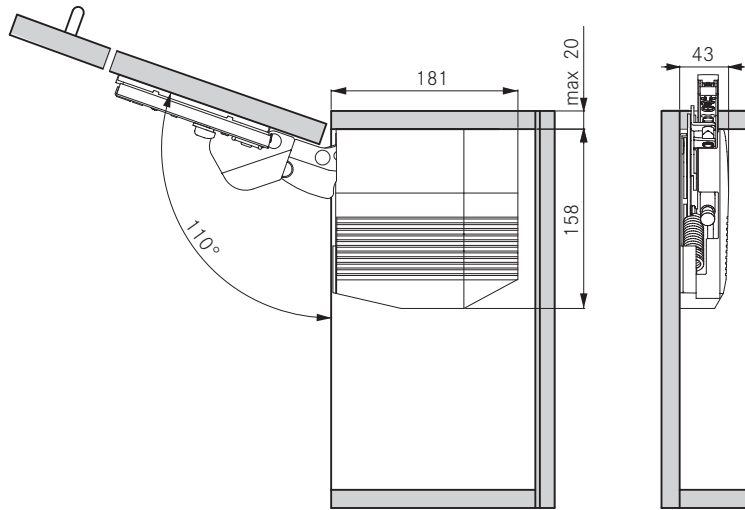
Important!
Caution - risk of injury! Fitting is spring-tensioned!

PU - Packaging unit

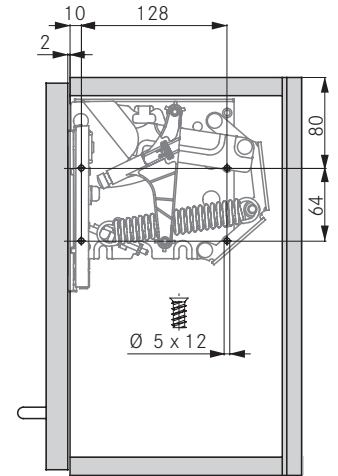
Lift-up Fitting

ASSEMBLY AND INSTALLATION INSTRUCTIONS

Required space

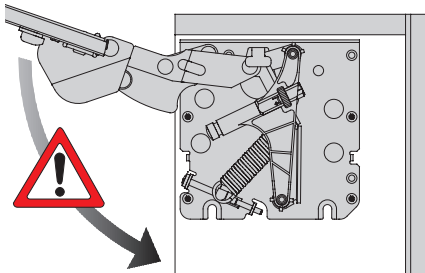


Side wall drilling positions

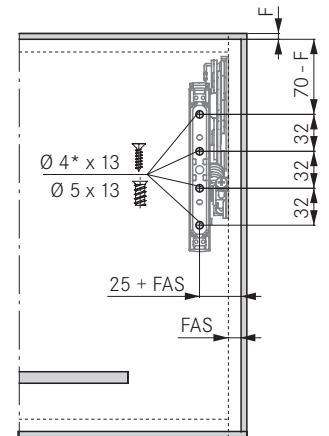


Front: installation for wooden and frame flaps (min 55mm width)

WARNING



Important!
Caution - risk of injury!
Fitting is spring-tensioned!



*Pre-drilling required - Ø 2mm

Calculation of flap weight

Flap width x flap height x flap thickness x density¹ + weight of handle² = weight of flap

¹ Densities: MDF 0.85 kg/dm³, chipboard 0.65 kg/dm³, spruce/pine 0.45 kg/dm³

² For bar handles allow 0.1 kg for each 100mm handle width. We recommend a trial fitting

Metric Conversions

MM	2	3.5	5	7.5	8	8.5	10	12.5	13	17	19	20	25	29	32	40	42
INCH	³ / ₃₂	¹ / ₈	³ / ₁₆	⁹ / ₃₂	⁵ / ₁₆	¹¹ / ₃₂	¹³ / ₃₂	¹ / ₂	¹ / ₂	²¹ / ₃₂	³ / ₄	¹³ / ₁₆	³¹ / ₃₂	¹ ⁵ / ₃₂	¹ / ₄	¹ ⁹ / ₁₆	¹ ²¹ / ₃₂
MM	43	47.5	50	55	64	70	80	128	133	135	138	144	156	158	181	185	
INCH	¹ ¹¹ / ₁₆	¹ ⁷ / ₈	¹ ³¹ / ₃₂	² ⁵ / ₃₂	² ¹ / ₂	² ³ / ₄	³ ¹ / ₈	⁵ ¹ / ₁₆	⁵ ¹ / ₄	⁵ ⁵ / ₁₆	⁵ ⁷ / ₁₆	⁵ ¹¹ / ₁₆	⁶ ⁵ / ₃₂	⁶ ¹ / ₄	⁷ ¹ / ₈	⁷ ¹ / ₄	

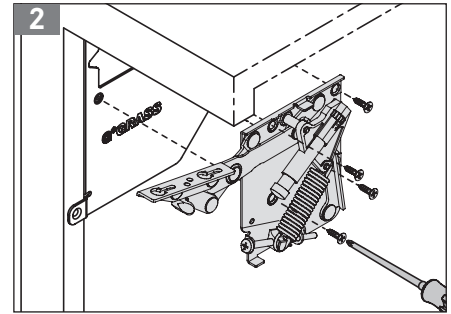
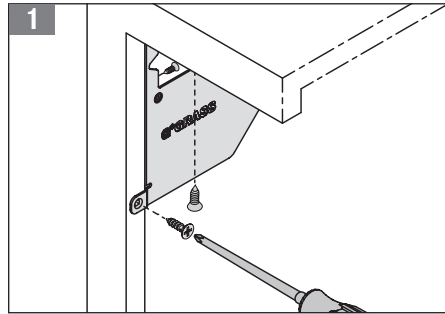
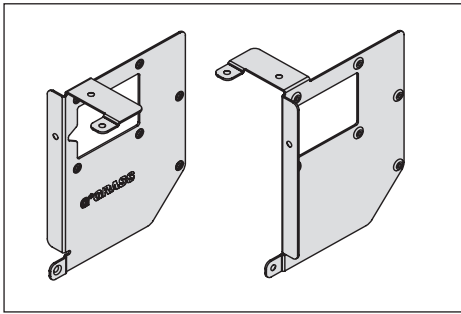
LEGEND

F Reveal
FAS Front overlay, side
FAO Front overlay, top

Kinvaro T-76

Lift-up Fitting

ASSEMBLY AND INSTALLATION INSTRUCTIONS FOR FACE FRAME CABINET



Required space	Side wall drilling positions
<p>Front: installation for wooden and frame flaps (min 55mm width)</p>	

* Predrilling required - Ø 2mm

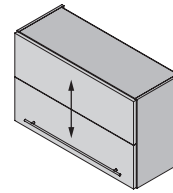
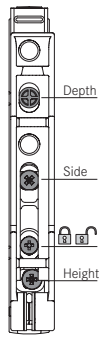
Calculation of flap weight

Flap width x flap height x flap thickness x density¹ + weight of handle² = weight of flap

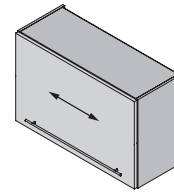
¹ Densities: MDF 0.85 kg/dm³, chipboard 0.65 kg/dm³, spruce/pine 0.45 kg/dm³

² For bar handles allow 0.1 kg for each 100mm handle width. We recommend a trial fitting

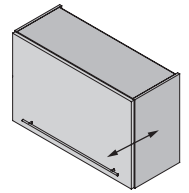
Lift-up Fitting



Height adjustment
+/- 1.5mm



Side adjustment
+/- 1.5mm



Depth adjustment
+/- 1.5mm

All adjustments can be carried out independently of each other.

ADJUSTMENT OPTIONS

Unlocking	Height adjustment	Side adjustment
Depth adjustment	Locking	
Adjusting the spring force	Adjusting the damping system	Note
		<p>WARNING</p>