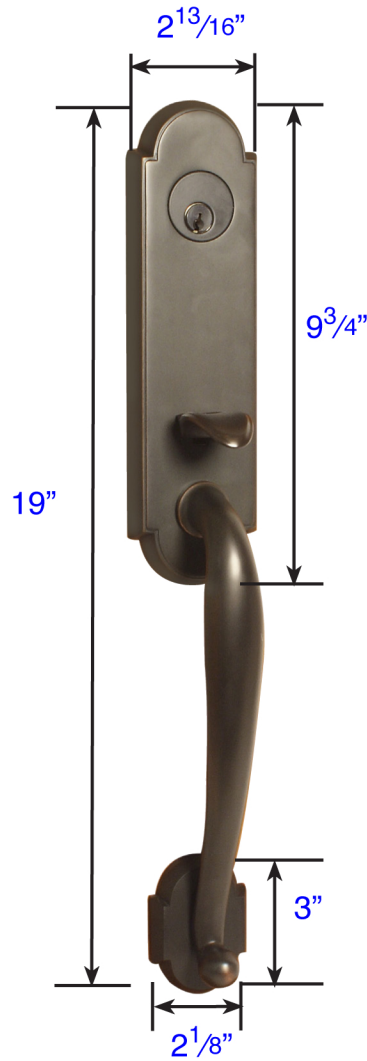
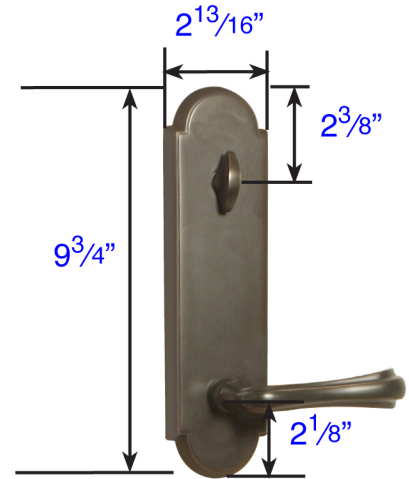


Nashville Style  
Part # 4312/4322



Richmond Style  
Part # 4313/4323



Standard interior trim  
Part # 4313

**Additional Dimensions: (Part # 4312/4322)**

- Exterior Projection is  $2\frac{11}{16}$ "
- Interior Projection Depends on Handle Style
- Overall Grip thickness:  $1\frac{1}{4}$ "
- Clearance between door & grip is  $1\frac{15}{16}$ "
- Standard Interior trim dimensions same as 8108, 8466, 8366
- Plates thickness:  $\frac{1}{2}$ "

**Same Dimensions for Dummy Function**

**Additional Dimensions: (Part # 4313/4323)**

- Exterior Projection is  $2\frac{11}{16}$ "
- Interior Projection Depends on Handle Style
- Overall Grip thickness:  $1\frac{1}{4}$ "
- Clearance between door & grip is 2"
- Plates thickness:  $\frac{1}{2}$ "

**Same Dimensions for Dummy Function**