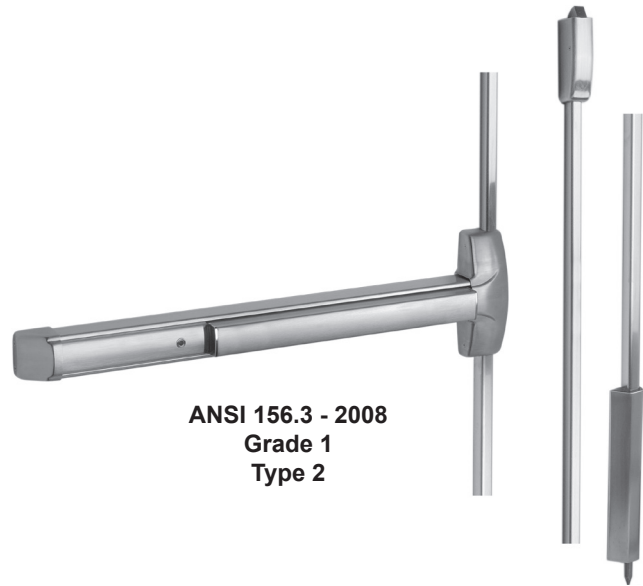


20 SERIES

Surface Vertical Rod Device

The 20 Series **surface vertical rod exit device** is super-heavy-duty **panic and fire exit hardware** for use on all types of double doors without a mullion. All 20 series SVR exit devices are supplied with top and bottom rod covers and an ADA compliant ramped bottom bolt cover. The patented mounting plate and strike locator system ensures the easiest and most accurate installation of panic hardware available.



ANSI 156.3 - 2008
Grade 1
Type 2

Benefits

- Tough and durable design for years of trouble-free service in high-use, high-abuse environments
- Minimal door prep saves time and money
- Security enhanced by stainless steel rod covers, standard
- Fast and accurate installation
- Outside trims are easily changed or rekeyed without removing device from door

Features

- Patented mounting plate and strike locator system replaces paper templates
- ADA ramped bottom bolt cover
- Heavy-duty angled end-cap deflects damage away from device
- Stainless steel deadlocking, Pullman-type top latch
- 1/8 turn hex or cylinder dogging
- Handed - field reversible
- Hardened steel bottom drop bolt with dust proof strike
- All exposed surfaces are finished over stainless steel with PVD, an environmentally friendly finishing process
- Field sizeable

Mechanical Options

- F - 3-Hour Fire Rated
- LD - Less Dogging
- 84 - 84" Door Height (Std.)
- AM - Anti-Microbial Coating
- 30 - Fits 36" Door Width
- 96 - 85" to 96" Door Height
- HD - Hex Dogging (Std.)
- 36 - Fits 36" Door Widths (Std.)
- 120 - 97" to 120" Door Height
- CD - Cylinder Dogging
- 48 - Fits 48" Door Widths

Electrical Options

- Exit Alarm (EA)
- Electric Unlock (EU)
- Request to Exit Weatherized for High Voltage (EXVxW)
- Electric Dogging (ED)
- Request to Exit (EX)
- Refer to Electrified Options section for more information
- Electric Latch Retraction (ER)
- Request to Exit for High Voltage (EXV)
- Delayed Egress - Self Contained (EE)
- Request to Exit Weatherized (EXxW)
- Delayed Egress with Latch Retraction (EExER)

Accessories

- GB3 - Glass Bead Kit - 7' Door Height (84")
- GB7 - Glass Bead Kit - 8' Door Height (85" - 96")
- GB11 - Glass Bead Kit - 10' Door Height (97" - 120")
- SN1 - Sex Nut Kit (2 per package)
- SSK- Security Torx Screw Kit
- Trim Functions (see Outside Trims)
- Electrified Options (see Electrified Options)

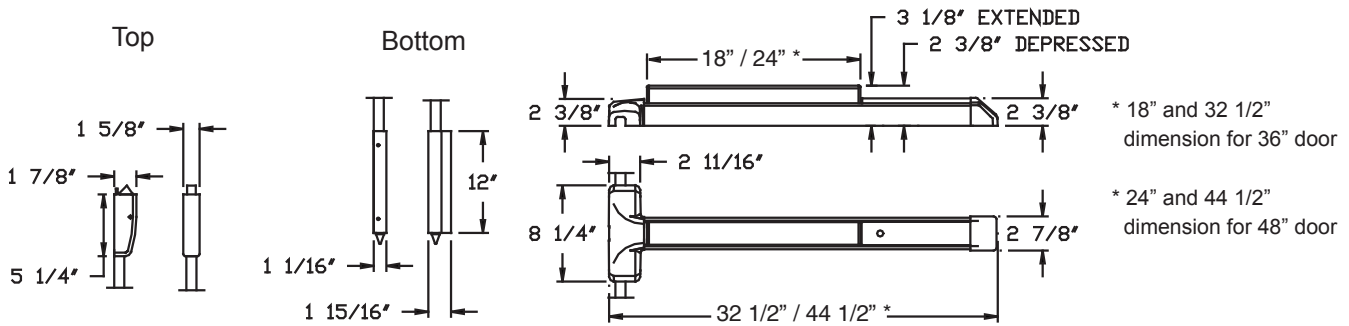
Technical Information

- Door Types - Wood, Hollow Metal, Fiberglass or Aluminum
- Door Thickness - Fits standard 1-3/4" - 2-1/4" doors (for other door thicknesses contact factory)
- Minimum Stile - 4-1/2" with standard 97 strike
- Fasteners - Machine and Self-Drilling Screws standard





Finishes

605 / US3 Polished Brass	628 / US28 Aluminum Satin	693 / SPBLK Black, Painted
606 / US4 Brushed Brass	629 / US32 Polished Stainless Steel	695 / SP 313 Dark Bronze, Painted
611 / US9 Polished Bronze	630 / US32D Brushed Stainless Steel	
612 / US10 Brushed Bronze		
613 / US10B Oil Rubbed Bronze		

Dimensions



Listings and Approvals

-  UL LISTED Panic Hardware
-  UL LISTED Fire Exit Hardware for 3 hours, maximum 4'x10' single doors and 8'x10' pairs of doors
-  Meets ADA requirements
-  ANSI/BHMA certified A156.3

-  UBC 97, Standard 7-2 and UL10B/UL10C for positive pressure
-  Meets NFPA 80 & 101 for Life Safety
-  California State Fire Marshall 4140-0127:105 and 3725-0127:108

Detex Limited Warranty

10 Year Mechanical/3 year Electrical Limited Manufacturer's Warranty



Detex Corporation
 302 Detex Drive
 New Braunfels, Texas 78130-3045 USA
 PH. (830) 629-2900
 (800) 729-3839
 FAX (830) 620-6711
 (800) 653-3839
<http://www.detex.com>
 USA Sales:
marketing@detex.com
 International Sales:
export@detex.com