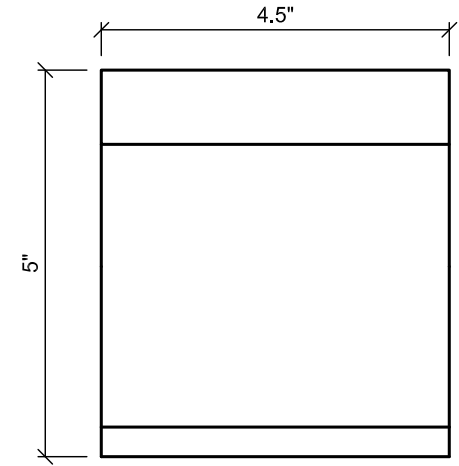
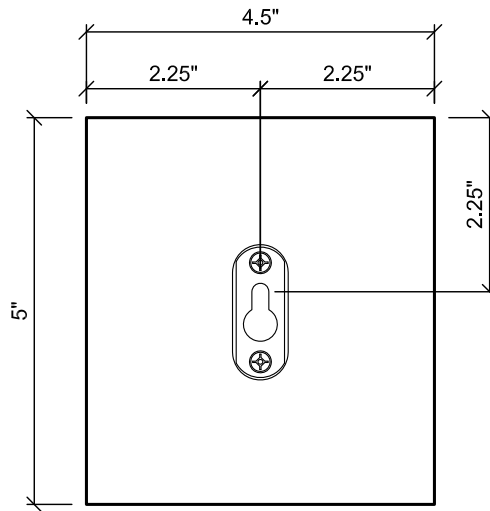
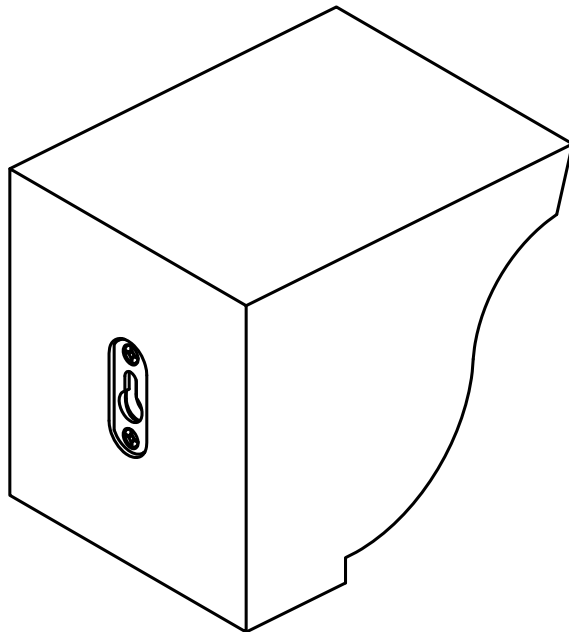


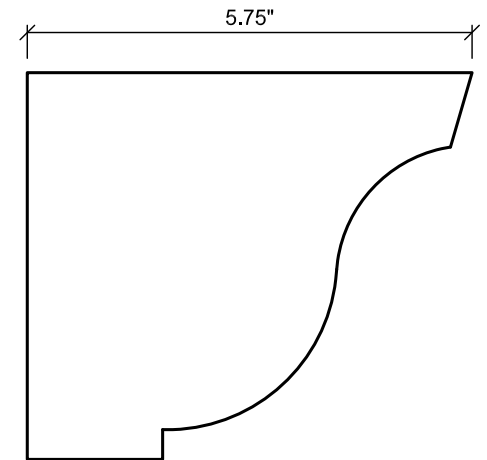
Top



Front



Back



Side

*Designs of*  
**distinction**<sup>®</sup>  
by Brown Wood, Inc.  
est. 1927

REVISION HISTORY		
REV	REV DATE	DESCRIPTION

TOLERANCES	
WIDTH	± .0625"
THICKNESS	± .0625"
LENGTH	± .0625"
ANGULAR	± x.x°
PROFILE	± x.xxx"
Use General Tolerances Unless Noted	

AVAILABLE WOOD SPECIES	
(HM) Hard Maple	(CH) Cherry
(AK) Red Oak	(AL) Alder
NOTES:	
Do not scale. Use dimensions only. All dimensions are in inches unless noted	

TITLE: SIMPLICITY CORBEL	
SIZE: 4.5" X 5" X 5.75"	
DWG #: 607001-1	REV:
DATE: 1-29-2010	SCALE: NTS