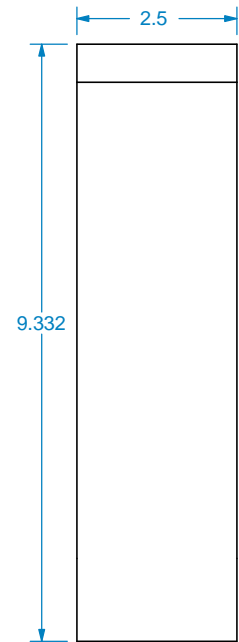
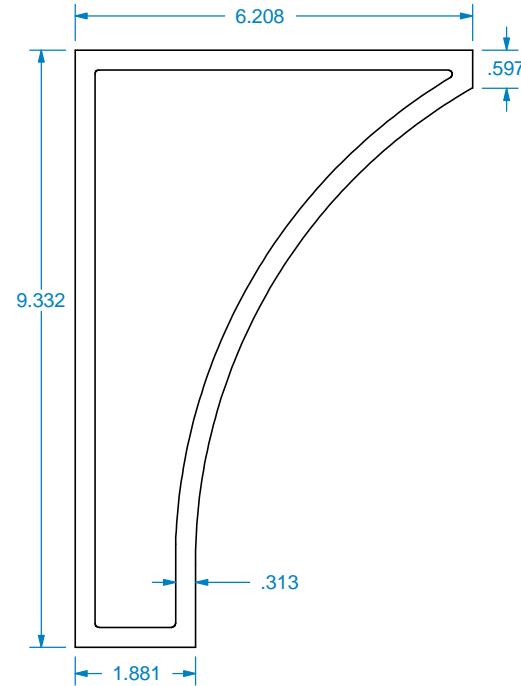
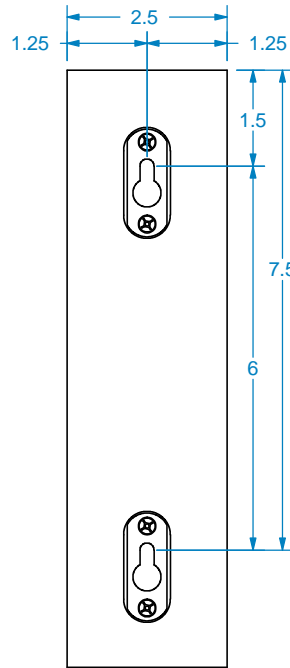
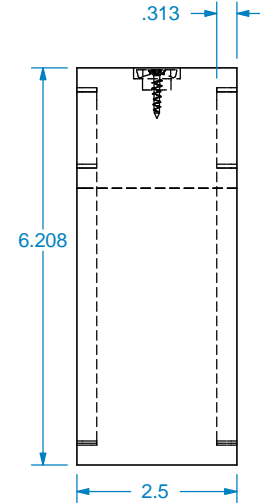
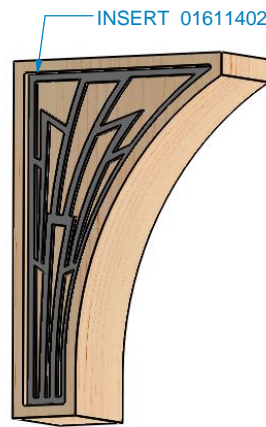
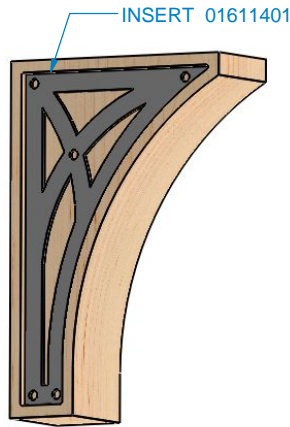


SHOWN WITH OPTIONAL INSERTS SOLD SEPARATELY



Designs of
distinction
by Brown Wood, Inc.
est. 1927

REVISION HISTORY		
REV	REV DATE	DESCRIPTION

TOLERANCES	
WIDTH	± .03125"
THICKNESS	± .03125"
LENGTH	± .0625"
ANGULAR	± x.x°
PROFILE	± x.xxx"
Use General Tolerances Unless Noted	

AVAILABLE WOOD SPECIES	
(HM) HARD MAPLE	(CH) CHERRY
(AK) RED OAK	(AL) ALDER
NOTES: ADDITIONAL SPECIES AVAILABLE	
Do not scale. Use dimensions only. All dimensions are in inches unless noted	

TITLE:	CORBEL	
SIZE:	2.5" X 6.208" X 9.332"	
DWG #:	601450-1	REV:
DATE:	4/7/2015	SCALE:
		1:3