



# Single Acting Spring Hinge

LUBE BEARING LB4300 SERIES

PATENT 6,460,220

## Installation Instructions

**CAUTION:** Do not exceed three ( 3 ) holes tension for 180 degrees door opening, or four ( 4 ) holes tension for 90 degrees door opening.

WORK SAFELY USE PROPER SAFETY PROTECTION.

1. Hinge Installation:

Install Hinge in normal manner with tension adjustment up as shown.

2. Adjusting Spring Torque:

- ( A ) Place the door in the closed position.
- ( B ) Insert Tension Lever in right hand hole in the adjustment slot see figure 1.
- ( C ) Rotate Tension Lever to the left and insert Tension Pin loosley in hole to the right of Tension Lever as shown in figure 2.
- ( D ) Release Tension Lever until Tension Pin contacts the right hand side of the Adjustment Slot.
- ( E ) Remove Tension Lever and check the door for closing force, if desired closing force is not achieved, repeat steps A to E until closing force is satisfactory.
- ( F ) When the hinges have been adjusted to close the door properly, drive the Tension Pin flush with the hinge tube.

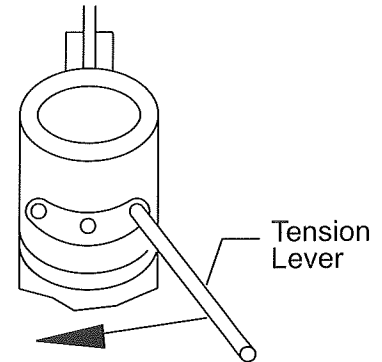


FIGURE 1

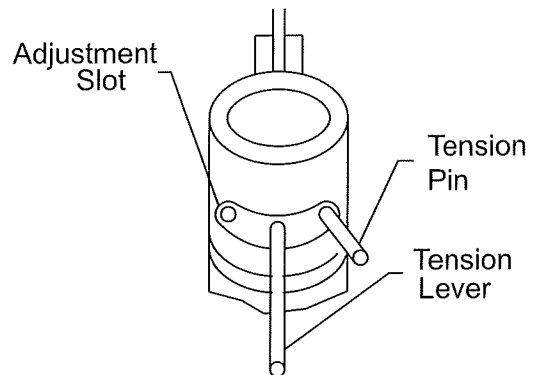


FIGURE 2

**CAUTION:** Always Install hinges with tension adjustment slot up as shown, always rotate tension lever to the left regardless of right or left hand door applications.