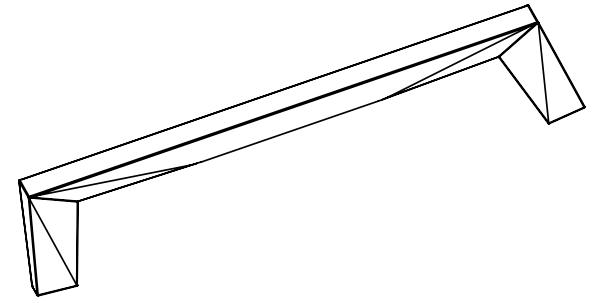
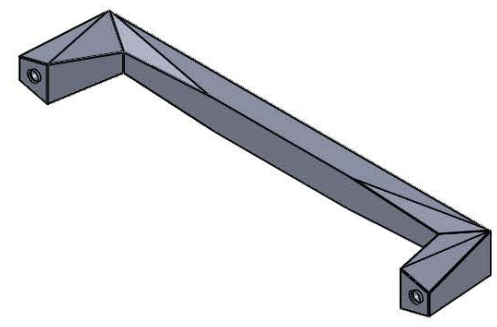



14.49 (9/16")



PART NO. 2316-1026-P	MATERIAL ZINC	DATE 07-18-2018	 2495 Main Street, Suite 111 Buffalo, NY Phone: 800.333.0578 Fax: 716.833.2402 Email: Info@BerensonHardware.com
COLLECTION SWAGGER	DESCRIPTION SWAGGER 160MM CC POLISHED CHROME PULL	PROPRIETARY AND CONFIDENTIAL THE INFORMATION CONTAINED IN THIS DRAWING IS THE SOLE PROPERTY OF BERENSON CORP. ANY REPRODUCTION IN PART OR AS A WHOLE WITHOUT THE WRITTEN PERMISSION OF BERENSON CORP IS PROHIBITED.	
UNIT OF MEASURE MILLIMETERS (INCHES)			