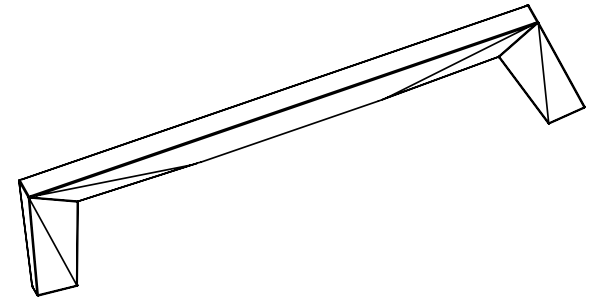
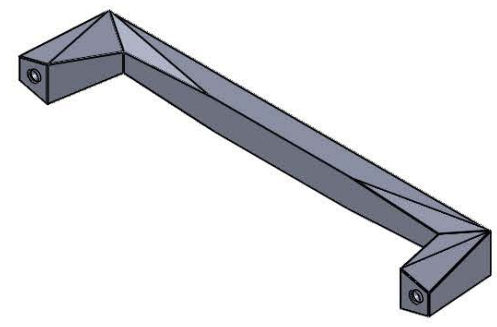



14.49 (9/16")



PART NO. <b>2315-1BPN-P</b>	MATERIAL <b>ZINC</b>	DATE <b>07-18-2018</b>	 <p>2495 Main Street, Suite 111   Buffalo, NY          Phone: 800.333.0578   Fax: 716.833.2402          Email: Info@BerensonHardware.com</p>
COLLECTION <b>SWAGGER</b>	DESCRIPTION <b>SWAGGER 160MM CC BRUSHED NICKEL PULL</b>	PROPRIETARY AND CONFIDENTIAL THE INFORMATION CONTAINED IN THIS DRAWING IS THE SOLE PROPERTY OF BERENSON CORP. ANY REPRODUCTION IN PART OR AS A WHOLE WITHOUT THE WRITTEN PERMISSION OF BERENSON CORP IS PROHIBITED.	
UNIT OF MEASURE <b>MILLIMETERS (INCHES)</b>			