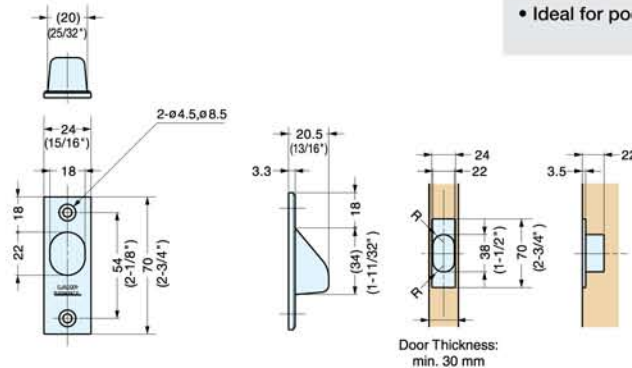


RECESSED PULL



YK-70



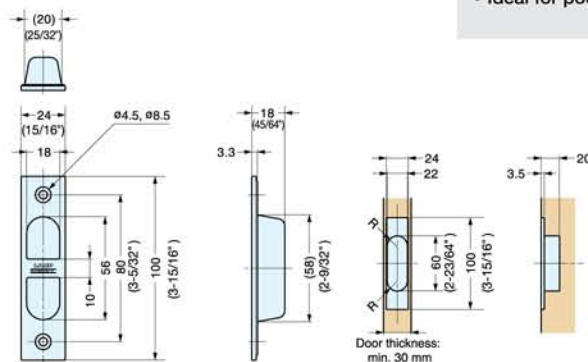
• Ideal for pocket door application.

Item No.	Weight (g)	Box (pcs)	Carton (pcs)	Material	Finish
YK-70	37	20	200	304 Stainless Steel	Satin

RECESSED PULL



YK-W100



• Ideal for pocket door application.

Item No.	Weight (g)	Box (pcs)	Carton (pcs)	Material	Finish
YK-W100	45	20	160	304 Stainless Steel	Satin

RECESSED PULL (W/DOOR STOPPER)



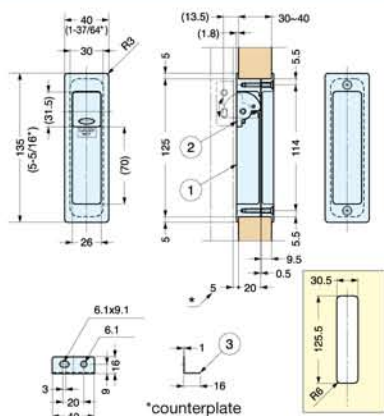
HH-P135



HH-P135/CR



HH-P135/DC



Bore Dimensions

- Door stopper can be flipped-out to prevent door from entering pocket and pinching fingers.
- Door stopper can be flipped-in to completely open the door.
- Applicable door thickness: 30-40 mm (1-3/16"~1-9/16")
- Can be used on door thickness up to 50 mm (1-31/32") by using longer M4 screws. (Not supplied.)
- Also available in Satin Nickel (SN) finish.

*In case of using counterplate, change the gap (marked *) to 7 mm (9/32") to prevent the stopper and plate from hitting or scratching.

Item No.	Door Thickness (mm)	Weight (g)	Box (pcs)	Carton (pcs)
HH-P135/CR	30-40	290	5	50
HH-P135/DC				

No.	Material	Finish/Color
①	Zinc Alloy	Chrome (CR), Dull Chrome (DC)
②	Polyurethane	-
③	Steel	Chrome (CR), Dull Chrome (DC)